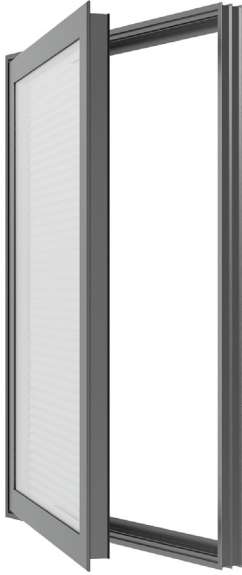




Series 8800 Retrofit Behavioral Care Window

2" Human Impact Access Panel
Fixed/Retrofit



Product Overview

Winco's 8800 retrofit behavioral care insert is designed with a 1/8" nominal wall thickness for a security glazing infill behind existing windows. Available with human impact ratings of 2,000 ft. lbs.

The combination of energy efficiency with life safety features to protect patients makes this window an ideal solution to your behavioral healthcare projects.

GREEN COMMITMENT

ENERGY SAVINGS

NOISE CONTROL

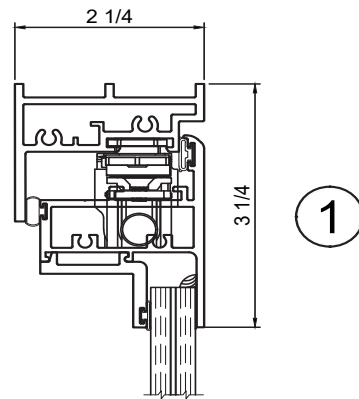
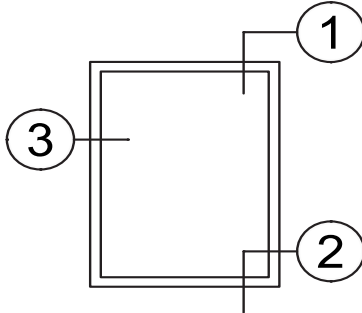
HUMAN IMPACT RESISTANT

Features & Custom Options

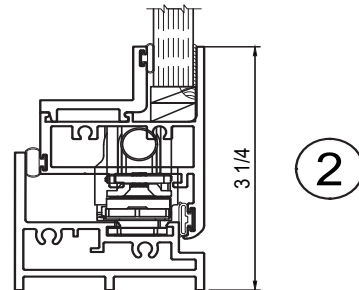
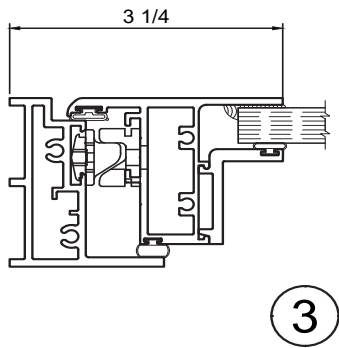
- Fixed window is tested to withstand multiple 2000 ft-lb impacts
- Special security system for behavioral health applications
- 1/8" wall thickness in frame members
- Concealed hinges with supplemental reinforcement
- Supplemental lock hole covers with tamper-proof screws
- Impact resistant interior polycarbonate or laminated glass that resists breaking and creates a safer patient environment
- Minimal framing to fit within new or existing openings
- Improves air infiltration, thermal and acoustical performance
- Integral 5/8" or 1" venetian blinds that offer daylight control and patient privacy
- Supplemental GEM security lock
- Blinds are sealed between glass to protect from germs and debris



Series 8800 Retrofit Detail Drawings



Note:
The primary (exterior) glazing remains undisturbed by the addition of the 8800 Retro-Fit Impact Sash. It can be accessed for maintenance, but not be used for ventilation.
Sealing against intrusion of Air or Water from the building's exterior must be addressed in the primary (exterior) glazing system.



Winco Window Company
6200 Maple Avenue
St Louis, MO 63130

TESTING: Our products meet stringent testing requirements of both the American Architectural Manufacturers Association (AAMA) and the National Fenestration Rating Council (NFRC) standards and certification.

VER:310323

