

# 3250 Series 3-1/4" Thermal Fixed, Casement & Projected Windows

## Product Information



WINCO RESERVES THE RIGHT TO MODIFY OR CHANGE INFORMATION WITHIN THIS BOOK WHEN DEEMED NECESSARY FOR PRODUCT IMPROVEMENT

### PERFORMANCE

The Series 3250 window is a thermally broken mainframe and sash that exceeds the performance specification criteria as required by ANSI/AAMA for AW (Architectural Grade) windows.

Fixed			Project Out - Awning		
AAMA Rating	AW-120		AAMA Rating	AW-80	
Air Infiltration	0.0 CFM/ft <sup>2</sup>		Air Infiltration	0.05 CFM/ft <sup>2</sup>	
Water	Over 12 psf		Water	Over 12 psf	
Structural	180 psf		Structural	120 psf	
CRF (AAMA 1503)	63		CRF (AAMA 1503)	59	
Center of Glass U-Value	Window U-Factor <sup>3</sup>		Center of Glass U-Value	Window U-Factor <sup>3</sup>	
BTU/Ft <sup>2</sup> x F° x Hr	47" x 59" <sup>2</sup>	60" x 99" <sup>1</sup>	BTU/Ft <sup>2</sup> x F° x Hr	59" x 24" <sup>2</sup>	60" x 36" <sup>1</sup>
	0.20	0.27		0.419	0.365
	0.24	0.31		0.437	0.391
	0.29	0.35		0.465	0.424
	0.34	0.39		0.52	0.48
	0.47	0.50		0.63	0.59

Fixed over Project Out - Awning			Casement		
AAMA Rating	AW-80		AAMA Rating	AW-80	
Air Infiltration	0.08 CFM/ft <sup>2</sup>		Air Infiltration	0.02 CFM/ft <sup>2</sup>	
Water	Over 12 psf		Water	Over 12 psf	
Structural	120 psf		Structural	120 psf	
CRF (AAMA 1503)			CRF (AAMA 1503)	59	
Center of Glass U-Value	Window U-Factor <sup>3</sup>		Center of Glass U-Value	Window U-Factor <sup>3</sup>	
BTU/Ft <sup>2</sup> x F° x Hr	24" x 48" <sup>2</sup>	63" x 93" <sup>1</sup>	BTU/Ft <sup>2</sup> x F° x Hr	24" x 59" <sup>2</sup>	36" x 60" <sup>1</sup>
	0.452	0.393		0.419	0.365
	0.471	0.379		0.437	0.391
	0.493	0.411		0.465	0.424
	0.515	0.443		0.52	0.48
	0.570	0.523		0.63	0.59

This Information is based on current product design, sealed dual glazing, warm edge spacers and testing standards.

Please contact WINCO for project specific information

<sup>1</sup> AAMA 101 Test Size

<sup>2</sup> NFRC Gateway Test Size

<sup>3</sup> Based on NFRC 100

© WINCO WINDOW COMPANY, INC. 2021

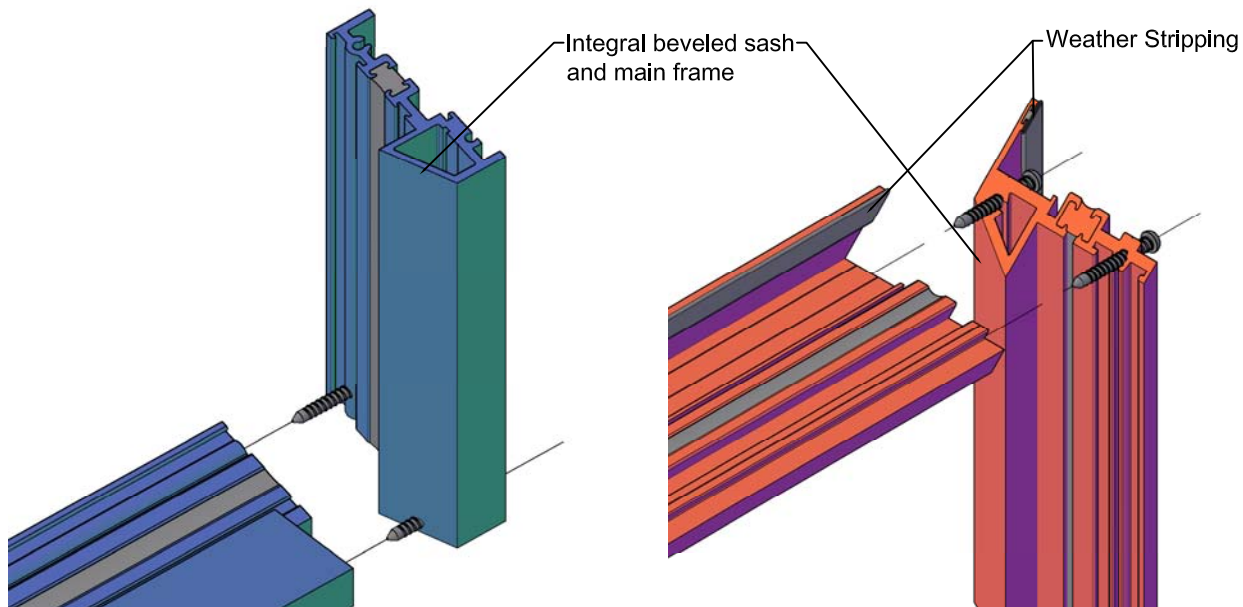
## CONSTRUCTION

**MATERIAL** - The Series 3250 window is a 3-1/4" deep frame depth with a nominal wall thickness of .125 inch. All material is extruded from 6063-T6 alloy.

**THERMAL BREAK** - All framing members of the window system are thermally broken. Winco uses the Azon Azo Brader® process to mechanically condition the surface of the thermal cavity. The process runs the entire length of the extrusion and creates serrations that insure proper adhesion of the structural polymer. The structural urethane is a high density 2 part formula providing optimum thermal performance for the most demanding conditions. The combination of the conditioning of the aluminum surface along with the two part urethane allows Winco to provide a full 10 year warranty against thermal break creep and shrinkage in accordance with AAMA 505-98.

**WEATHER-STRIP** - All operating ventilators have a double Santoprene®, non-shrinking dual durometer, thermoplastic rubber weather-stripping around the perimeter. One interior and one exterior.

**FABRICATION** - The main frame corners are coped and mechanically joined using two stainless steel spline screws per corner (fig 1). The vent is a hollow tube shaped extrusion for superior strength and rigidity. Vent corners are fully mitered and mechanically joined using two stainless steel spline screws per corner, aligning the members to form a hairline joint (fig 2). All frame joints are back sealed with small joint seam sealer providing a water tight joinery.



**(fig 1) Main Frame Construction**

**(fig 2) Vent Construction**

# 3250 Series 3-1/4" Thermal Fixed, Casement & Projected Windows

## Product Information



WINCO RESERVES THE RIGHT TO MODIFY OR CHANGE INFORMATION WITHIN THIS BOOK WHEN DEEMED NECESSARY FOR PRODUCT IMPROVEMENT

### GLAZING

The windows can be interior glazed with .050 thick extruded aluminum glazing beads accommodating thicknesses from 1/4" up to 1". (1/4" is only available for fixed frames) See the quick reference chart below for all glazing options. For actual details refer to the glazing section in the back of the 3250 section for optional glazing and blind details.

Glazing Thickness	1/8"	3/16"	1/4"	5/16"	3/8"	1/2"	9/16"	5/8"	3/4"	7/8"	1"	1-1/4"	1-3/8"	1-1/2"
Monolithic	- <sup>1</sup>	X <sup>1</sup>	X <sup>1</sup>	-	-	-	-	-	-	-	-	-	-	-
Insulated	-	-	-	-	-	-	-	-	-	X	X	-	-	-
Dual Glazed	Exterior	-	-	-	-	-	-	-	-	-	-	-	-	-
	Interior	-	-	-	-	-	-	-	-	-	-	-	-	-
Triple Glazed	Exterior	-	-	-	-	-	-	-	-	-	-	-	-	-
	Interior	-	-	-	-	-	-	-	-	-	-	-	-	-

Winco has different gaskets and glazing methods that can accommodate odd thicknesses of glass. If you do not see what you are looking for within this chart please contact your local representative for information regarding your specific project needs

<sup>1</sup> - Monolithic glazing is only possible on fixed lights.

### HARDWARE

All exposed locking hardware, strikes and keepers are solid white bronze alloy with US25D brushed finish. All four bar arms, casement arms, friction arms and key release limit arms are stainless steel conforming to AAMA 904.1.

Window Type	Butt Hinge	4-Bar Arms	Casement Arms	Friction Adjustable	Roto Operator	Cam Lock	Pole Ring Cam Lock	Access Control Lock	Lift Lock	Pole Ring Lift Lock	Pull Handle	Key Release Limit Arm	Fixed Limit Stop	Under Screen Push Bar
PO - Awning	-	X	-	-	-	X	O <sup>3</sup>	O	O <sup>2</sup>	O <sup>2</sup>	X	O	O	-
PI - Hopper	-	-	-	-	-	-	-	-	-	-	-	-	-	-
Casement - Outswing w/ Butt Hinges	-	-	-	-	-	-	-	-	-	-	-	-	-	-
Casement - Inswing w/ Butt Hinges	-	-	-	-	-	-	-	-	-	-	-	-	-	-
Casement - Outswing w/ concealed Hinges	-	-	X	-	-	X	O <sup>3</sup>	O	-	-	-	O	O	-
Casement - Inswing w/ concealed Hinges	-	-	-	-	-	-	-	-	-	-	-	-	-	-

X = Standard Hardware

O = Optional Hardware

Note:

- <sup>1</sup> Not all hardware is compatible with each other, contact your local Winco representative for information
- <sup>2</sup> Size limitations exist on some hardware, contact your local Winco representative for information
- <sup>3</sup> A pole ring pull will be provided on a project out vent is optional pole ring cam locks are required and no screen is furnished
- <sup>4</sup> Minimum width requirement for optional roto operators on casement windows with concealed casement arm hinging
- <sup>5</sup> Under screen push bars are not recommended by Winco if optimum water performance is a requirement

© WINCO WINDOW COMPANY, INC. 2021

## SCREENS

FRAME - frames are fabricated from 6063-T6 extruded aluminum alloy and temper. All screen frames are miter cut and corner keyed. The corners are mechanically crimped together for durability. The screen frame is finished to match the window frame.

MESH - Standard .011 aluminum screen wire mesh is produced from 5154 alloy with 18x16 pattern in Charcoal or Aluminum color. All mesh is applied to the screen frame with a roller spline making for easy and quick replacements. Optional fiberglass or .009 stainless steel mesh is available as an option.

WINCO RESERVES THE RIGHT TO MODIFY OR CHANGE INFORMATION WITHIN  
THIS BOOK WHEN DEEMED NECESSARY FOR PRODUCT IMPROVEMENT

© WINCO WINDOW COMPANY, INC. 2021

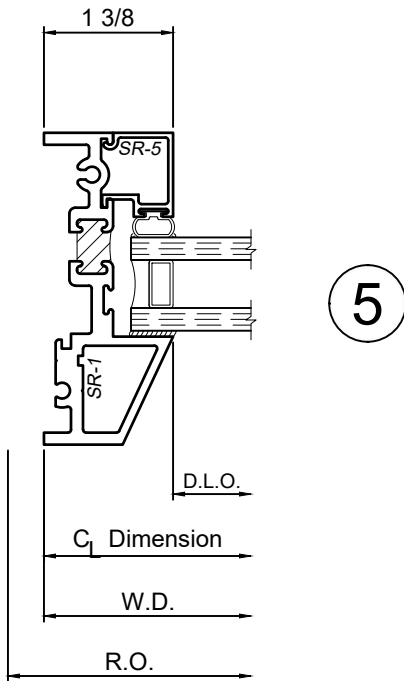
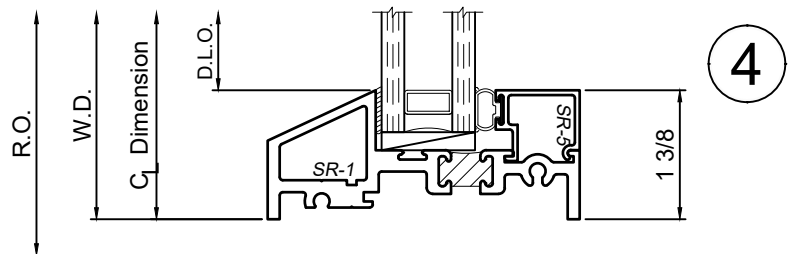
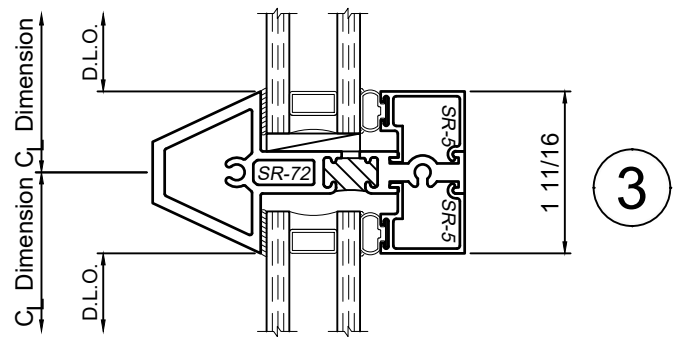
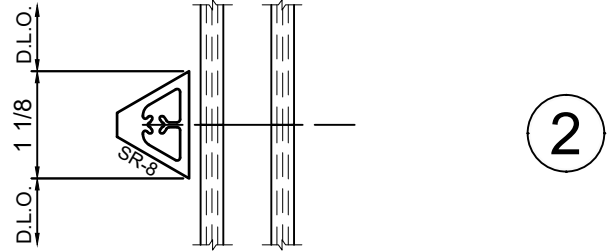
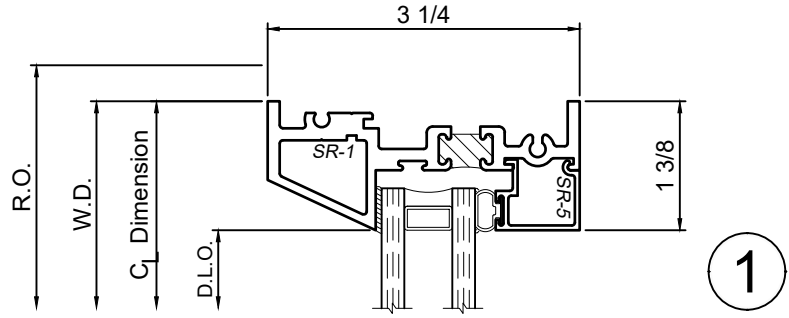
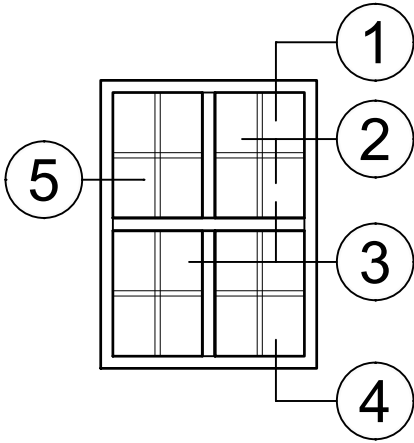
# 3250 Series 3-1/4" Thermal Fixed and Projected Windows

## Product Details - Fixed - Picture Window



Note: Multiple configurations of this window system are available. Refer to the WINCO website for additional options or contact your local WINCO Sales Representative for information.

WINCO RESERVES THE RIGHT TO MODIFY OR CHANGE INFORMATION WITHIN THIS BOOK WHEN DEEMED NECESSARY FOR PRODUCT IMPROVEMENT



© WINCO WINDOW COMPANY, INC. 2021

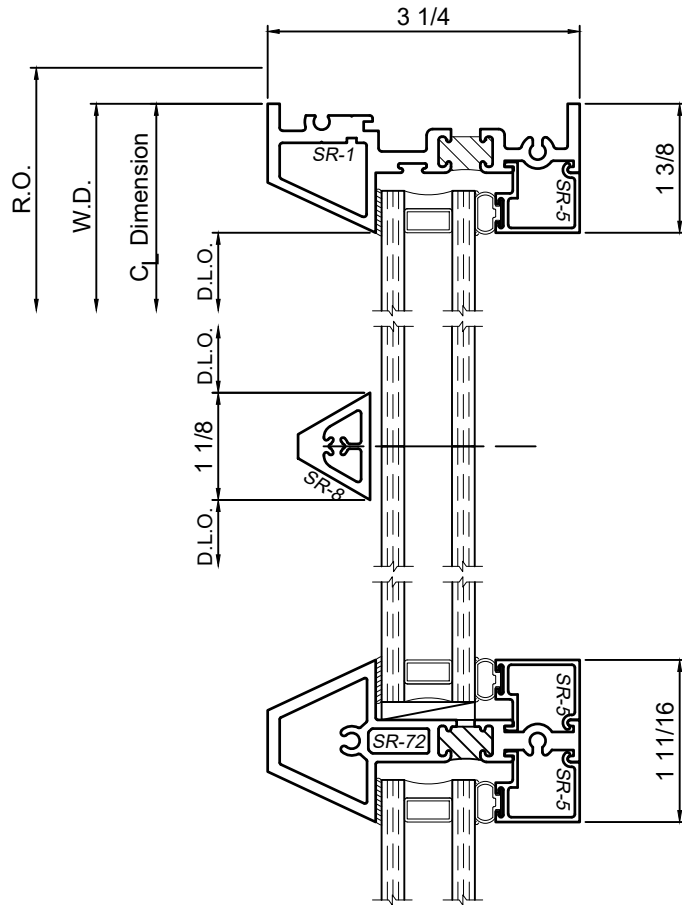
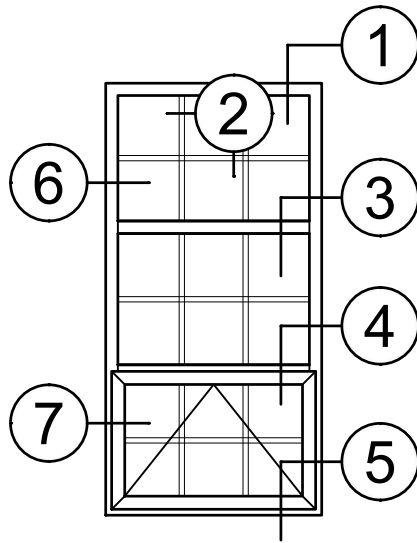
SCALE 6"=1'-0"

# 3250 Series 3-1/4" Thermal Fixed, Casement & Projected Windows

## Product Details - Fixed|PO Combination Window



Note: Multiple configurations of this window system are available. Refer to the WINCO website for additional options or contact your local WINCO Sales Representative for information.

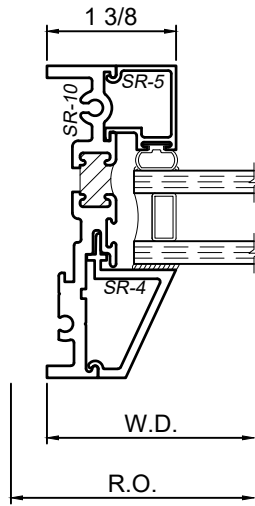


1

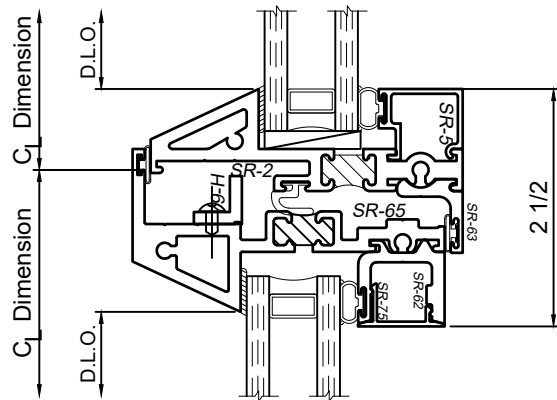
2

3

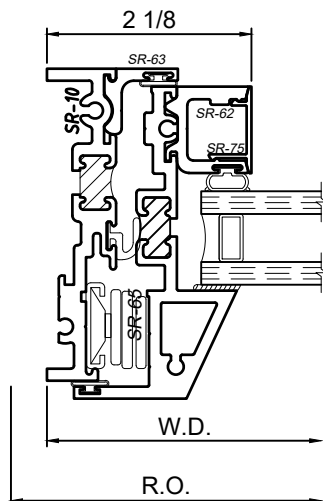
WINCO RESERVES THE RIGHT TO MODIFY OR CHANGE INFORMATION WITHIN THIS BOOK WHEN DEEMED NECESSARY FOR PRODUCT IMPROVEMENT



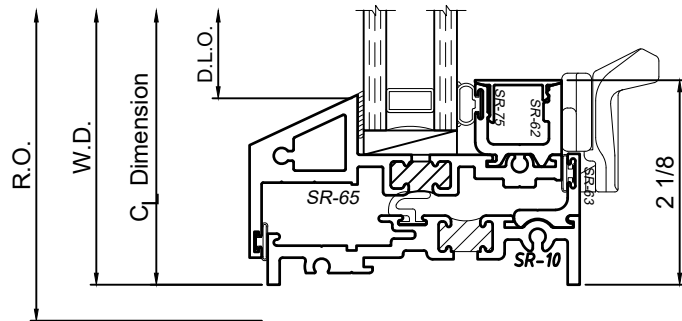
6



4



7



5

© WINCO WINDOW COMPANY, INC. 2021

SCALE 6"=1'-0"

# 3250 Series 3-1/4" Thermal Fixed, Casement & Projected Windows

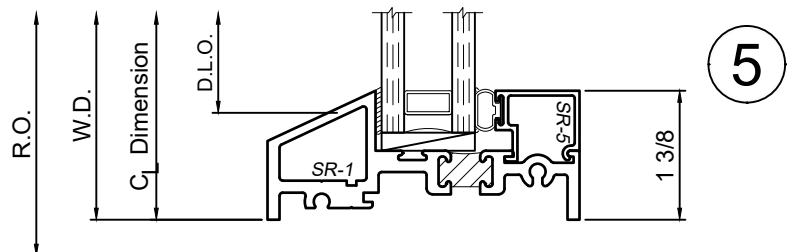
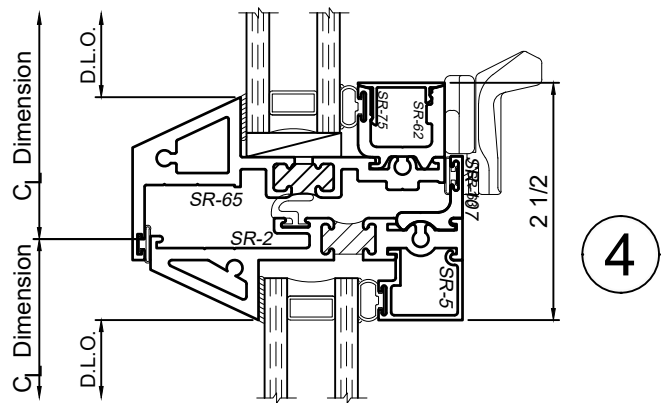
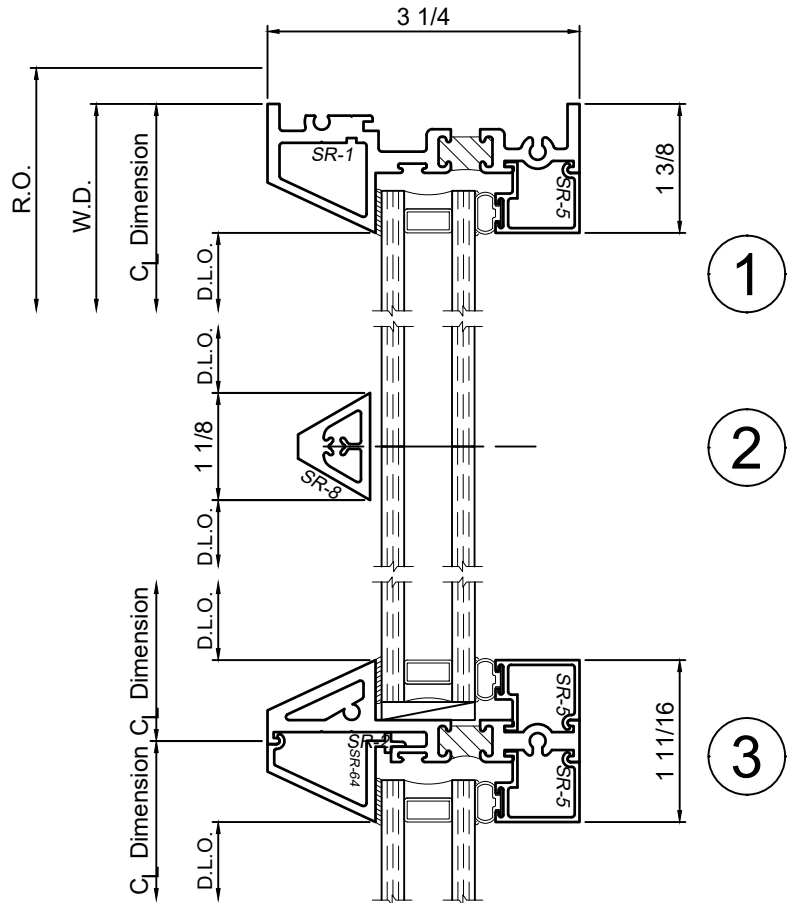
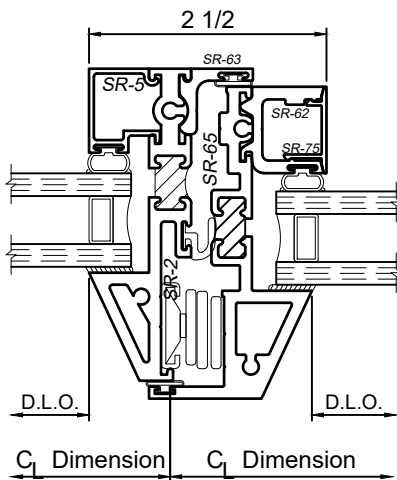
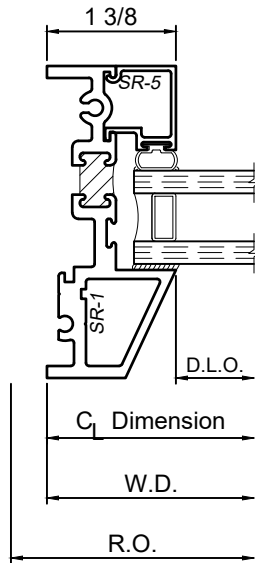
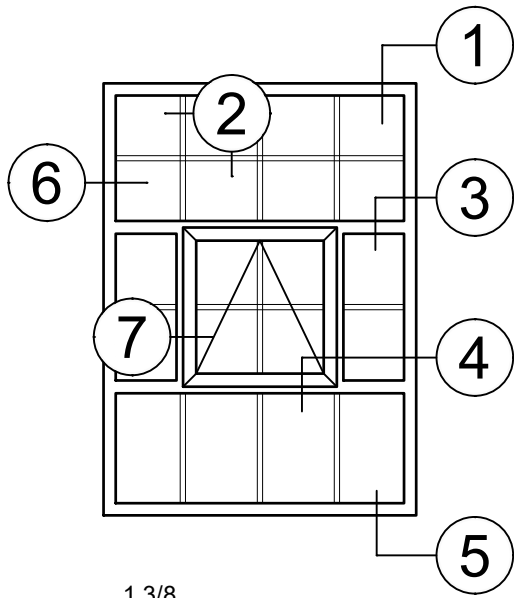
## Product Details - Combination Window w/ suspended Vent



Note: Multiple configurations of this window system are available. Refer to the WINCO website for additional options or contact your local WINCO Sales Representative for information.

WINCO RESERVES THE RIGHT TO MODIFY OR CHANGE INFORMATION WITHIN THIS BOOK WHEN DEEMED NECESSARY FOR PRODUCT IMPROVEMENT

© WINCO WINDOW COMPANY, INC. 2021



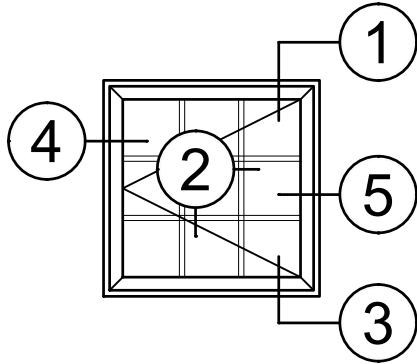
SCALE 6"=1'-0"

# 3250 Series 3-1/4" Thermal Fixed, Casement & Projected Windows

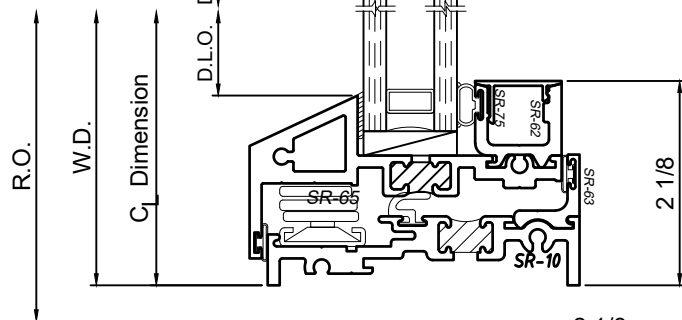
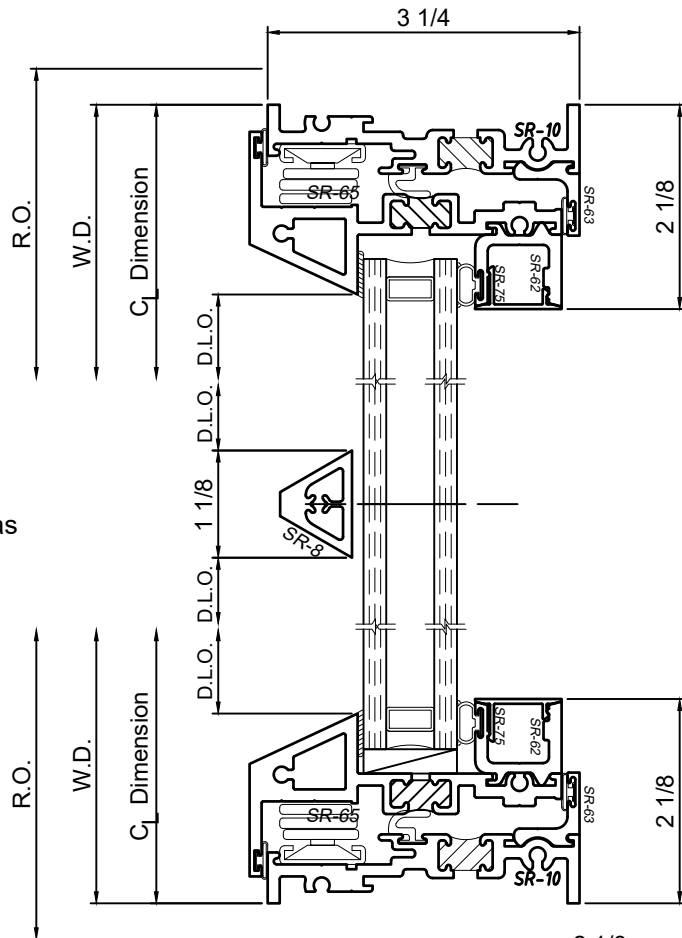
## Product Details - Outswing Casement



Note: Multiple configurations of this window system are available. Refer to the WINCO website for additional options or contact your local WINCO Sales Representative for information.



Casement available in PO only.  
 Concealed 4-Bar Hinges only.  
 Will not meet NFPA-101 code for means as secondary egress.



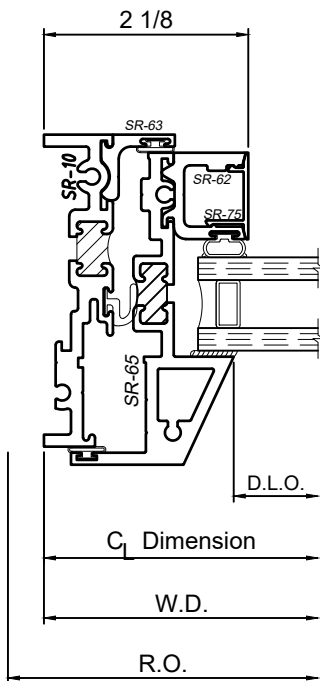
1

2

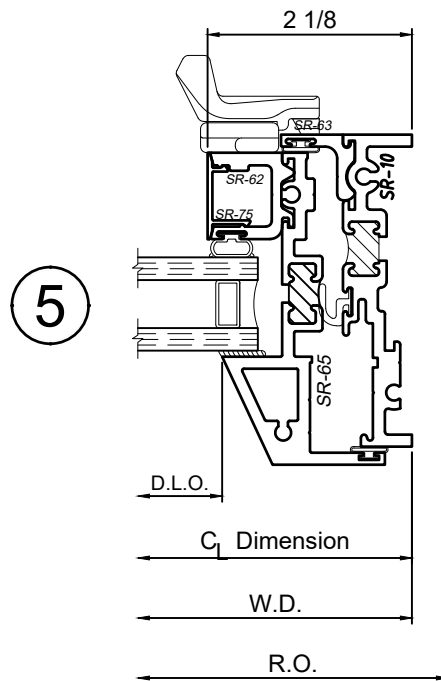
3

WINCO RESERVES THE RIGHT TO MODIFY OR CHANGE INFORMATION WITHIN THIS BOOK WHEN DEEMED NECESSARY FOR PRODUCT IMPROVEMENT

© WINCO WINDOW COMPANY, INC. 2021



4



5

SCALE 6"=1'-0"

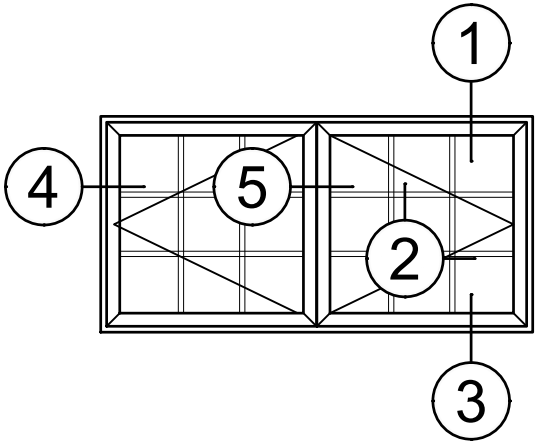


# 3250 Series 3-1/4" Thermal Fixed, Casement & Projected Windows

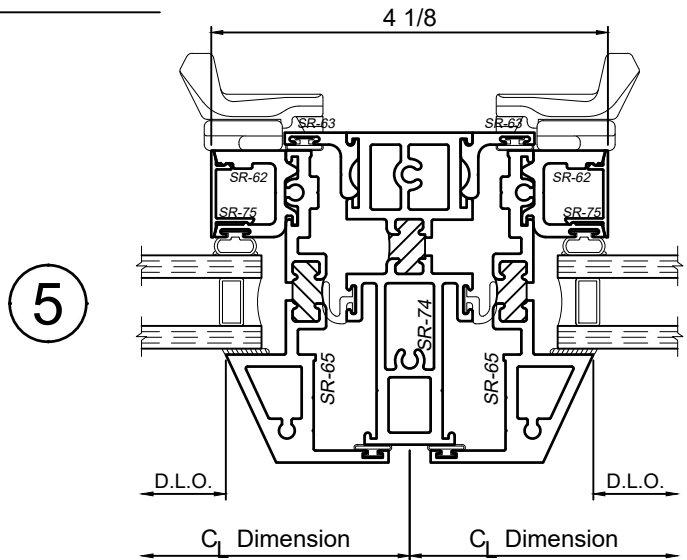
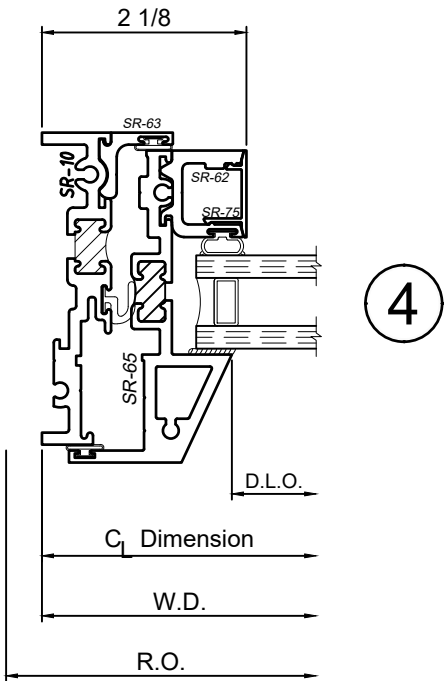
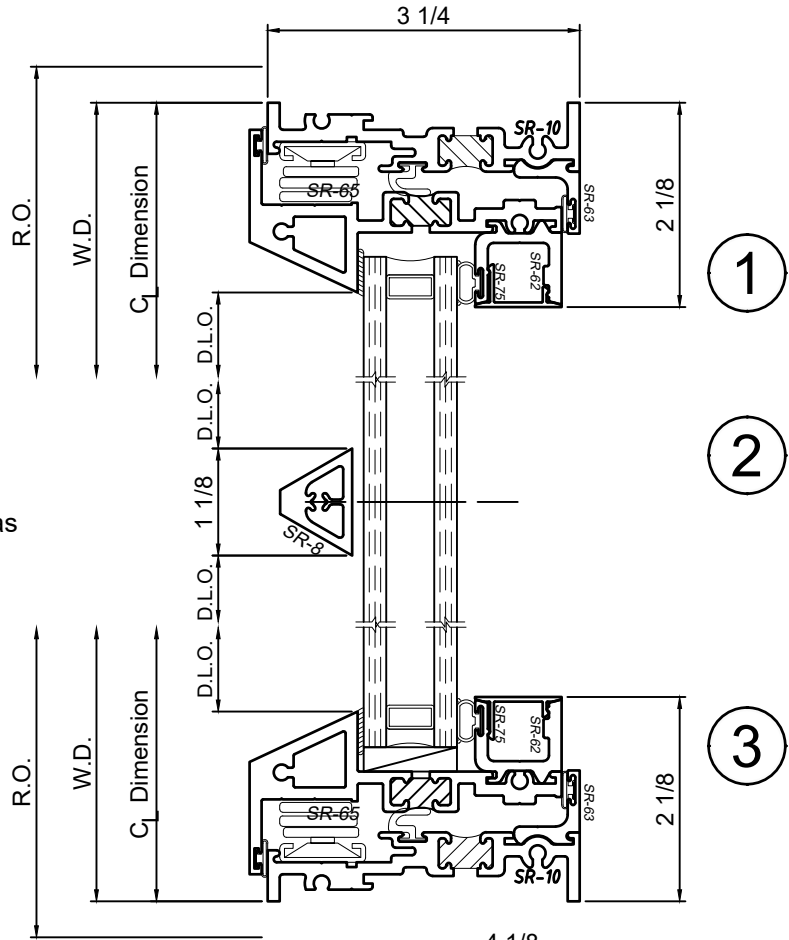


Note: Multiple configurations of this window system are available. Refer to the WINCO website for additional options or contact your local WINCO Sales Representative for information.

WINCO RESERVES THE RIGHT TO MODIFY OR CHANGE INFORMATION WITHIN THIS BOOK WHEN DEEMED NECESSARY FOR PRODUCT IMPROVEMENT



Casement available in PO only.  
 Concealed 4-Bar Hinges only.  
 Will not meet NFPA-101 code for means as secondary egress.



© WINCO WINDOW COMPANY, INC. 2021

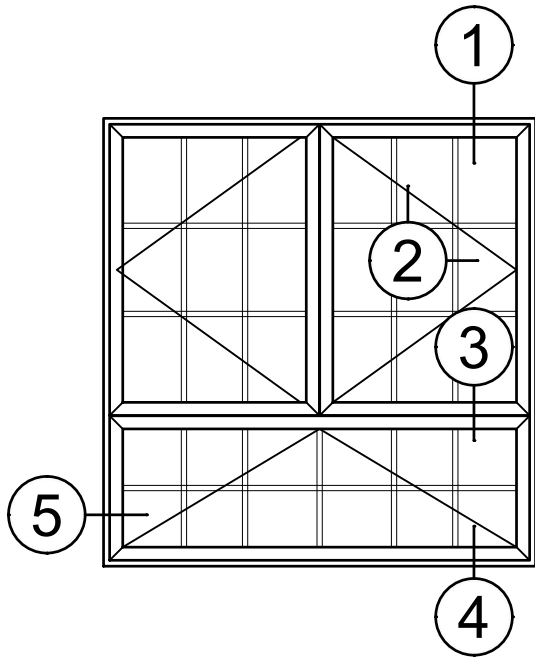
SCALE 6"=1'-0"

# 3250 Series 3-1/4" Thermal Fixed, Casement & Projected Windows

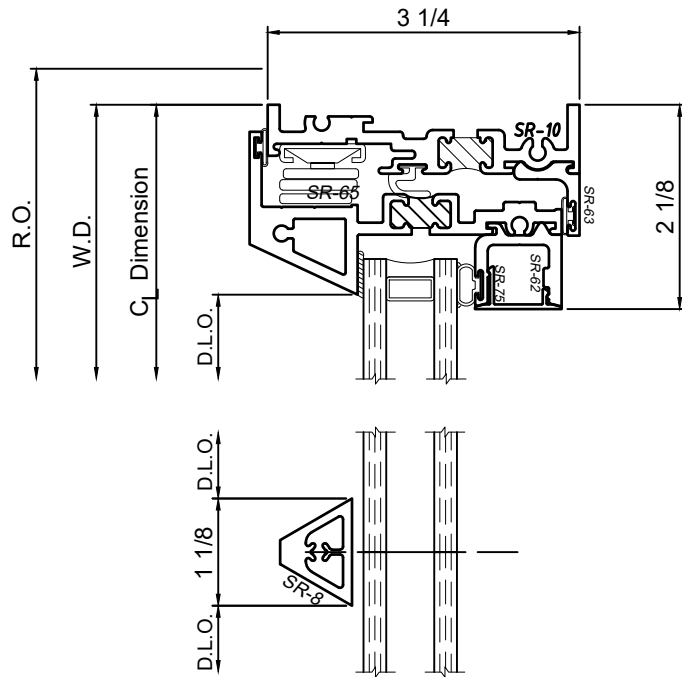
## Product Details - Butterfly Casement over PO Vent



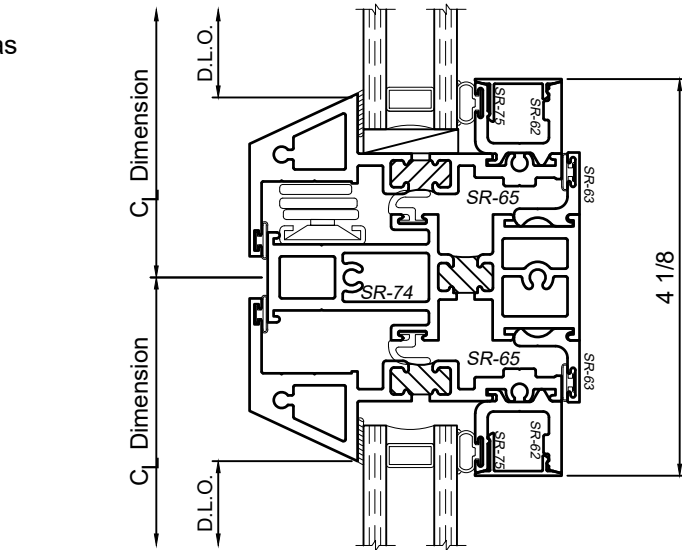
Note: Multiple configurations of this window system are available. Refer to the WINCO website for additional options or contact your local WINCO Sales Representative for information.



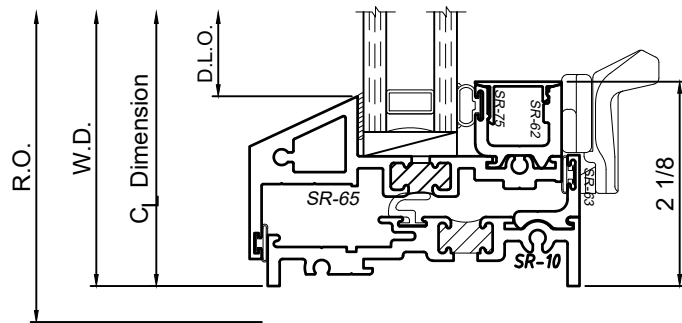
Butterfly Casement / PO Vent available in PO only.  
 Concealed 4-Bar Hinges only.  
 Will not meet NFPA-101 code for means as secondary egress.



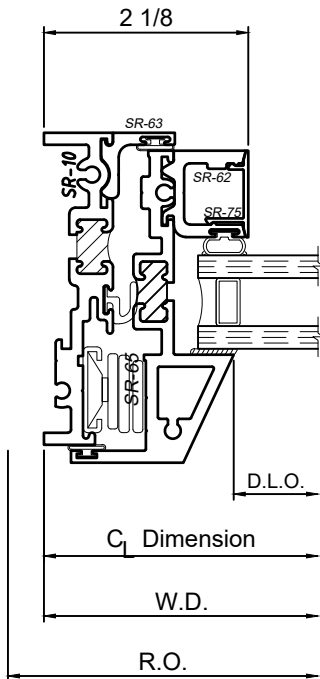
1



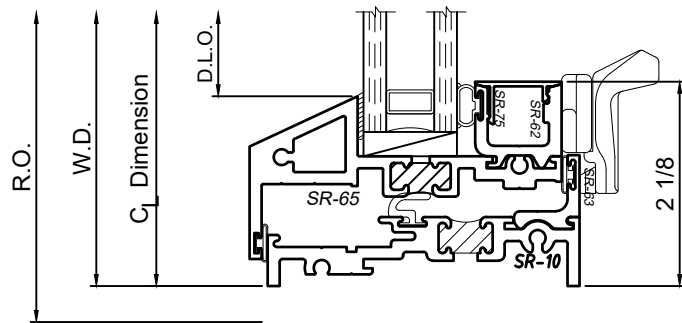
2



3



5



4

WINCO RESERVES THE RIGHT TO MODIFY OR CHANGE INFORMATION WITHIN THIS BOOK WHEN DEEMED NECESSARY FOR PRODUCT IMPROVEMENT

© WINCO WINDOW COMPANY, INC. 2021

SCALE 6"=1'-0"

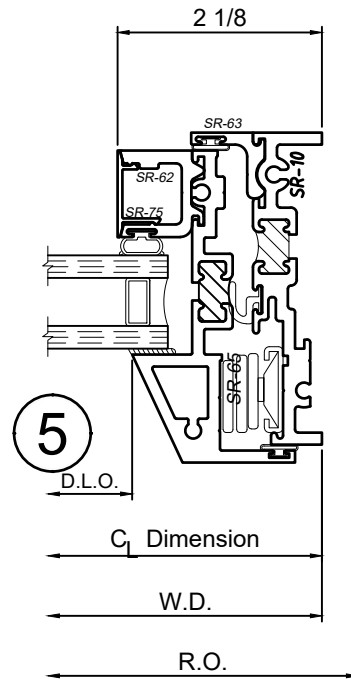
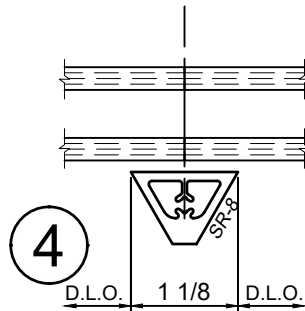
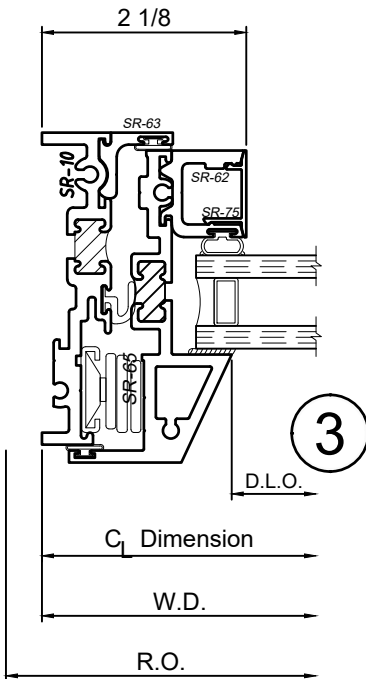
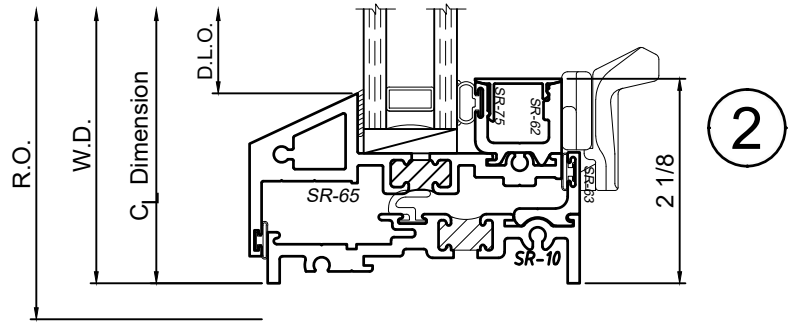
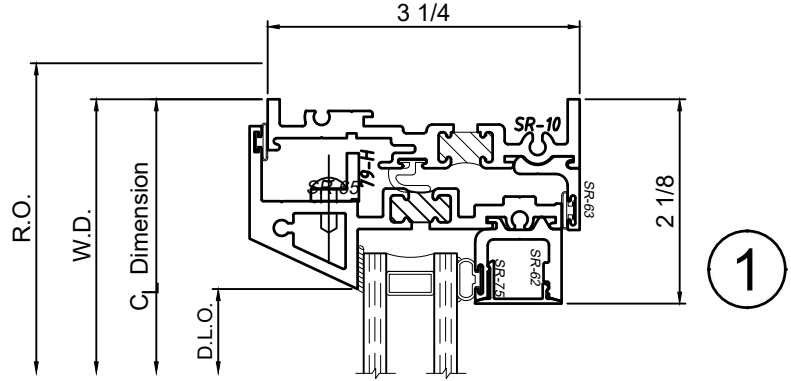
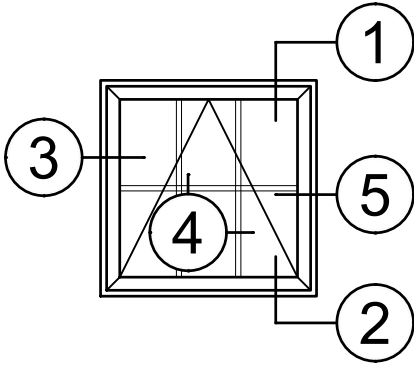
# 3250 Series 3-1/4" Thermal Fixed, Casement & Projected Windows

## Product Details - Project Out - Awning



Note: Multiple configurations of this window system are available. Refer to the WINCO website for additional options or contact your local WINCO Sales Representative for information.

WINCO RESERVES THE RIGHT TO MODIFY OR CHANGE INFORMATION WITHIN THIS BOOK WHEN DEEMED NECESSARY FOR PRODUCT IMPROVEMENT

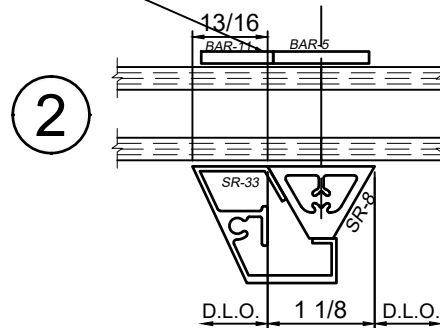
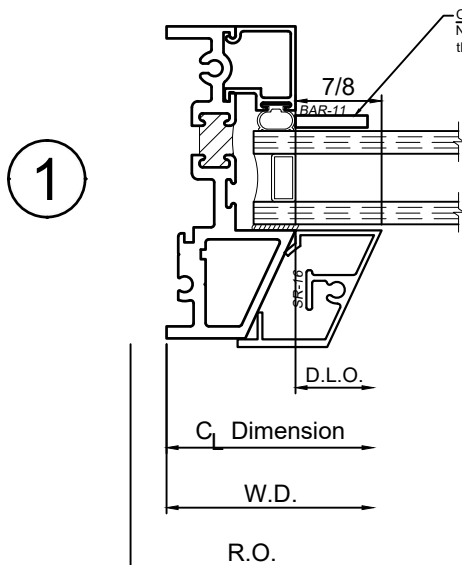
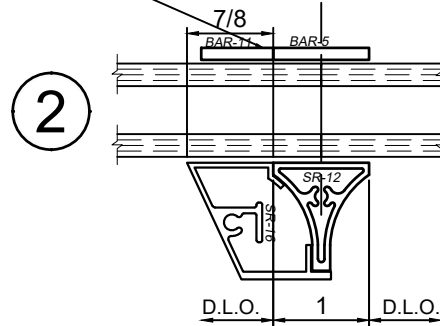
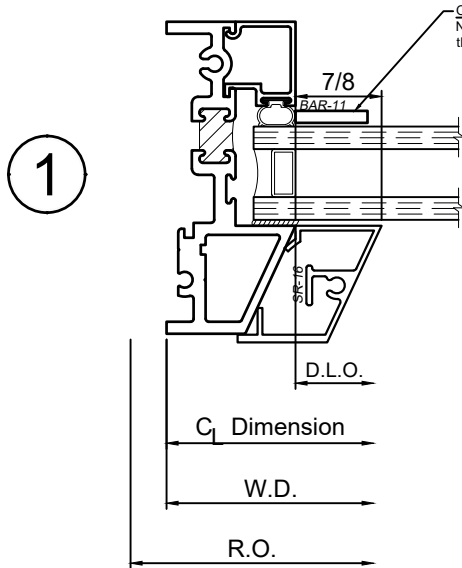
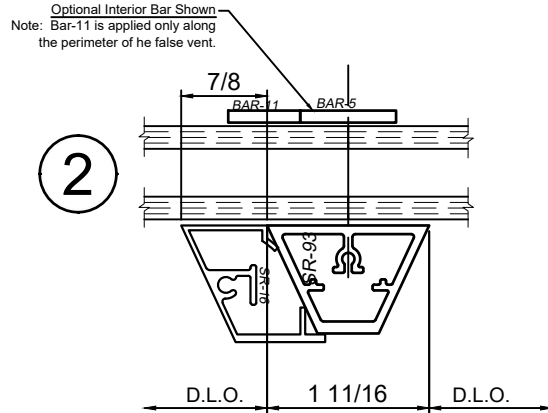
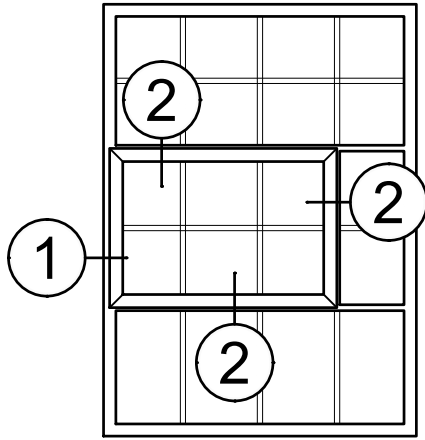


© WINCO WINDOW COMPANY, INC. 2021

SCALE 6"=1'-0"

# 3250 Series 3-1/4" Thermal Fixed, Casement & Projected Windows

## Product Details - False Vent Options - SR-16 & SR-33



SCALE 6"=1'-0"

WINCO RESERVES THE RIGHT TO MODIFY OR CHANGE INFORMATION WITHIN THIS BOOK WHEN DEEMED NECESSARY FOR PRODUCT IMPROVEMENT

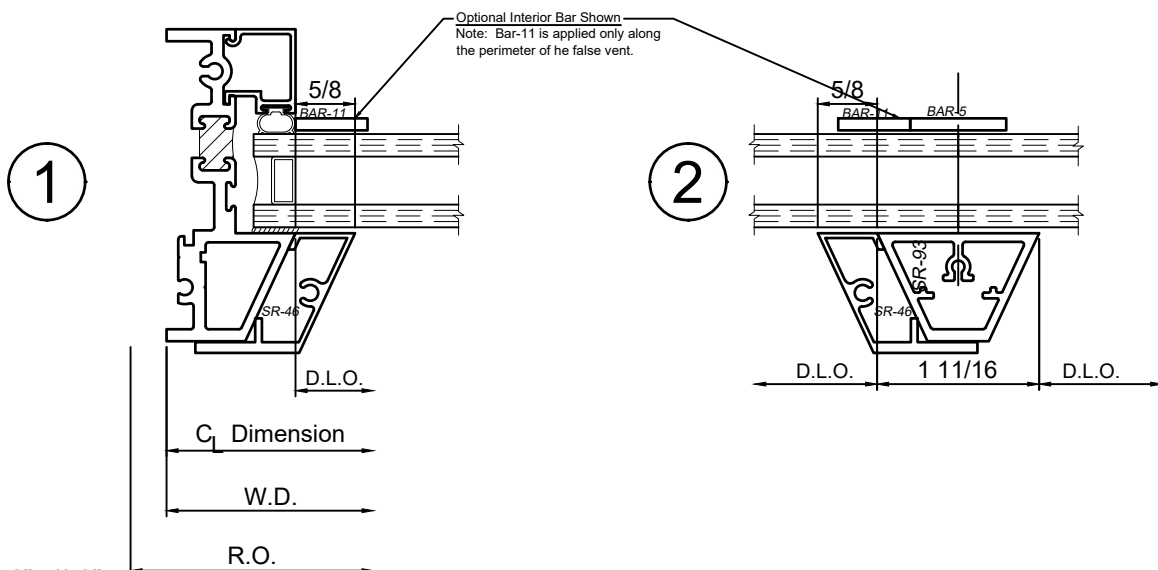
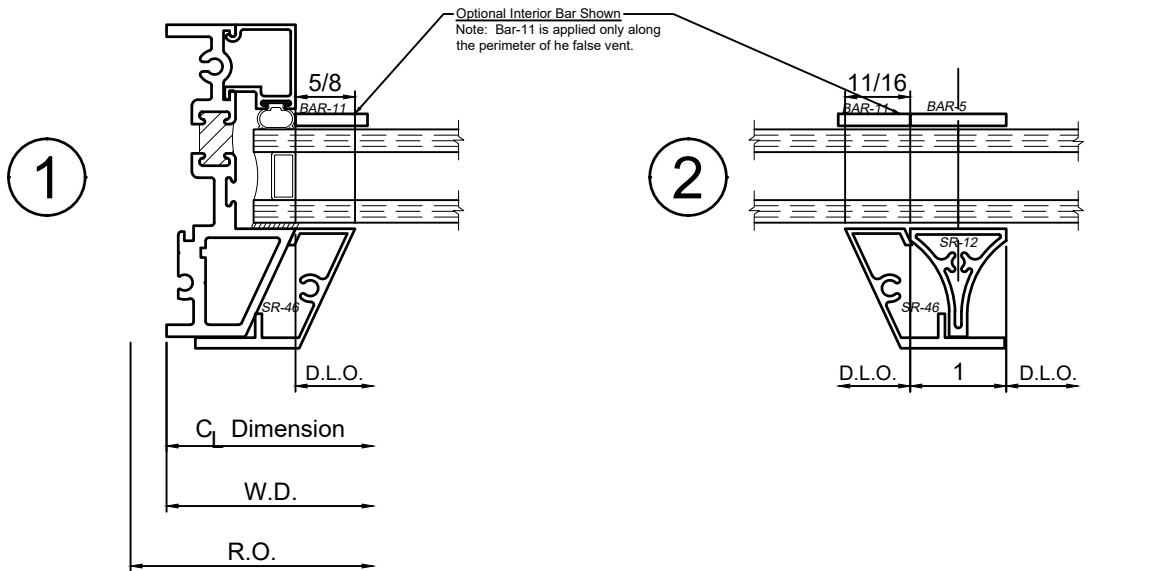
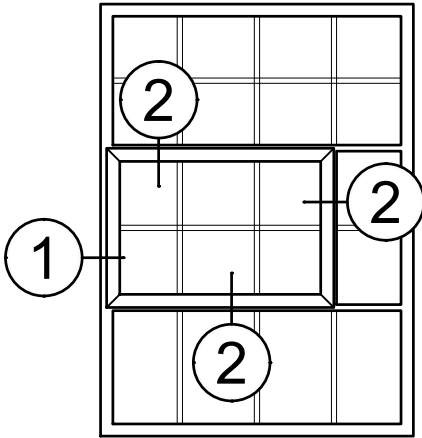
© WINCO WINDOW COMPANY, INC. 2021

# 3250 Series 3-1/4" Thermal Fixed, Casement & Projected Windows

## Product Details - False Vent Options - SR-46



WINCO RESERVES THE RIGHT TO MODIFY OR CHANGE INFORMATION WITHIN THIS BOOK WHEN DEEMED NECESSARY FOR PRODUCT IMPROVEMENT

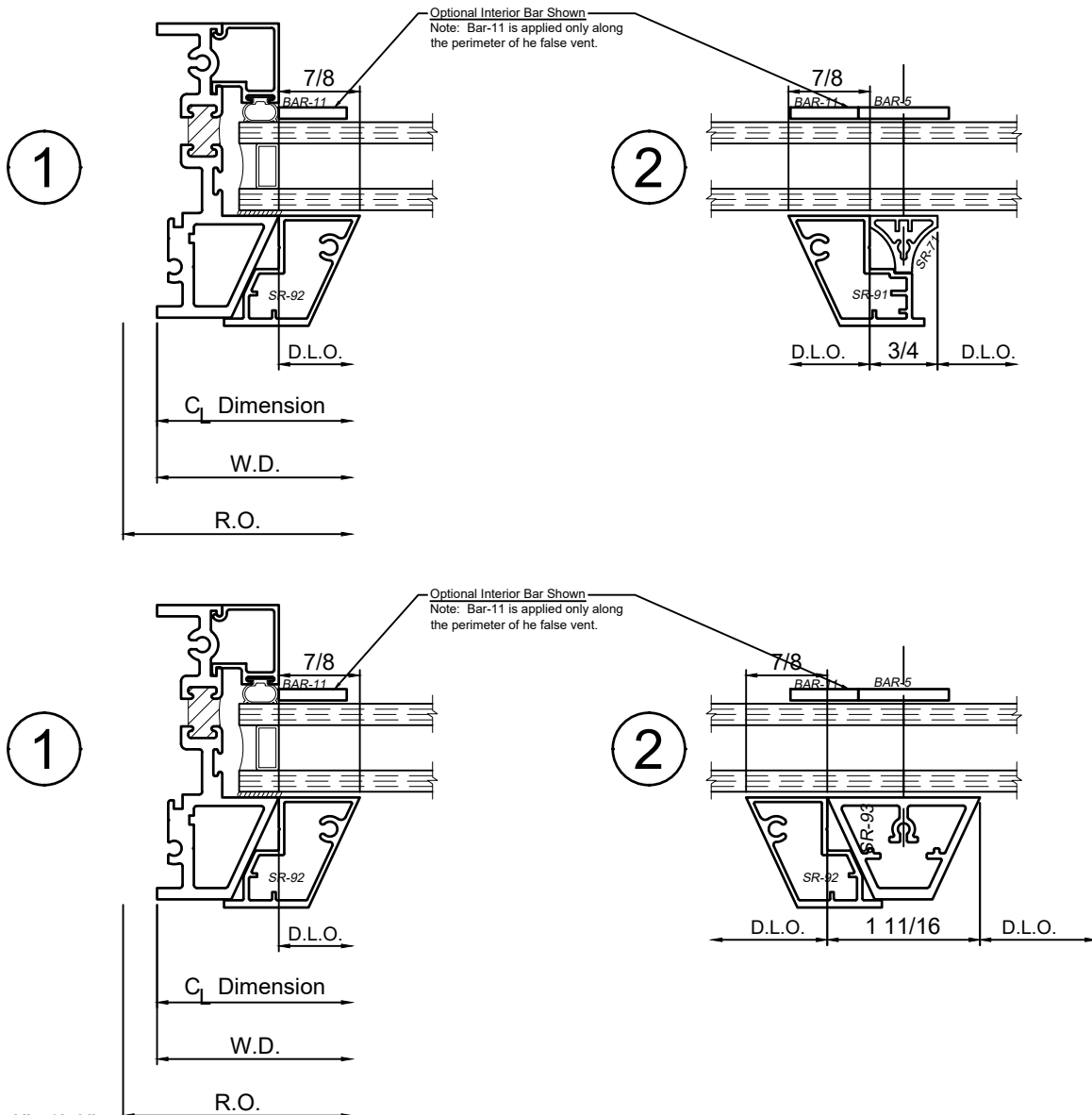
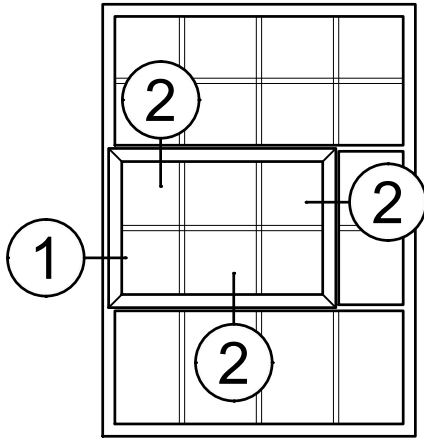


SCALE 6"=1'-0"

© WINCO WINDOW COMPANY, INC. 2021

# 3250 Series 3-1/4" Thermal Fixed, Casement & Projected Windows

## Product Details - False Vent Options - SR-91 & SR-92



SCALE 6"=1'-0"

WINCO RESERVES THE RIGHT TO MODIFY OR CHANGE INFORMATION WITHIN THIS BOOK WHEN DEEMED NECESSARY FOR PRODUCT IMPROVEMENT

© WINCO WINDOW COMPANY, INC. 2021

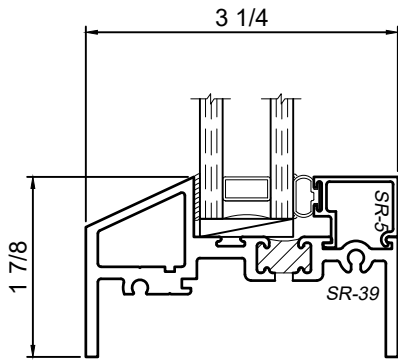
# 3250 Series 3-1/4" Thermal Fixed, Casement & Projected Windows

## Product Details - Frame Options

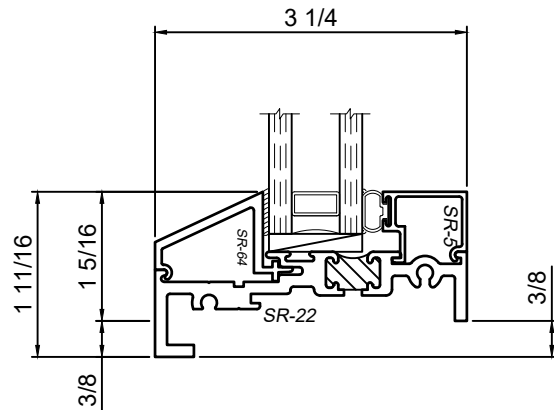


Note: Multiple configurations of this window system are available. Refer to the WINCO website for additional options or contact your local WINCO Sales Representative for information.

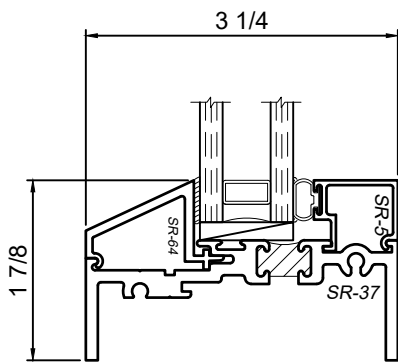
WINCO RESERVES THE RIGHT TO MODIFY OR CHANGE INFORMATION WITHIN THIS BOOK WHEN DEEMED NECESSARY FOR PRODUCT IMPROVEMENT



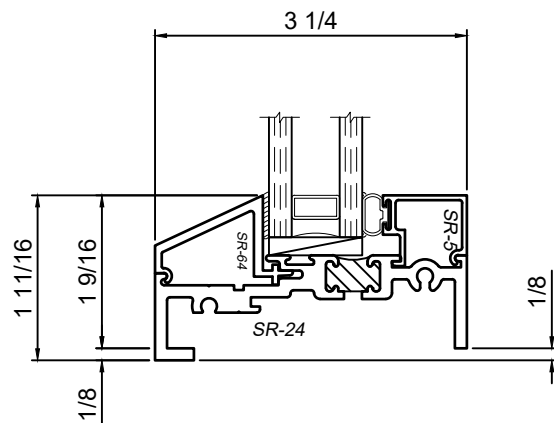
Available at head, jamb and sill  
(Vent uses SR-37)



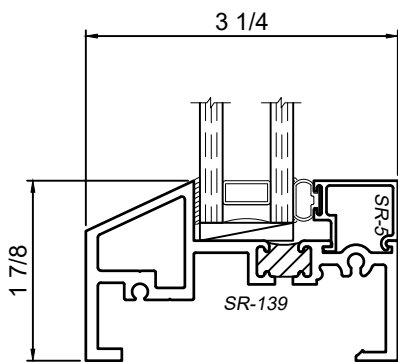
Available at head, jamb and sill



Available at head, jamb and sill  
(Fully Fixed Units use SR-39)



Available at head, jamb and sill



Available at head, jamb and sill  
(Available only for Fixed Units)

© WINCO WINDOW COMPANY, INC. 2021

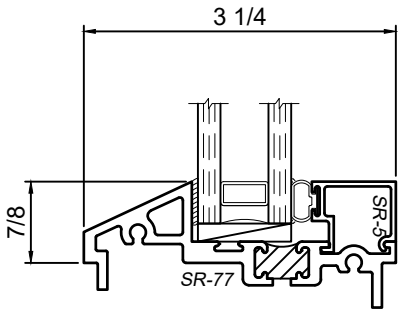
SCALE 6"=1'-0"

# 3250 Series 3-1/4" Thermal Fixed, Casement & Projected Windows

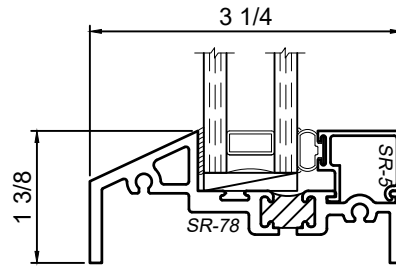
## Product Details - Frame Options



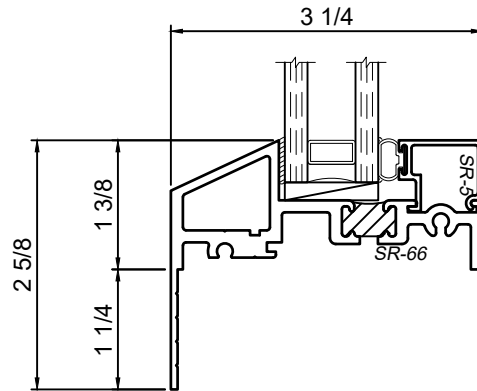
Note: Multiple configurations of this window system are available. Refer to the WINCO website for additional options or contact your local WINCO Sales Representative for information.



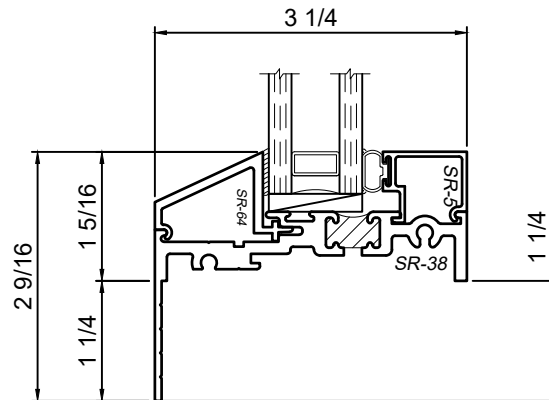
Available at head, jamb and sill



Available at head, jamb and sill



Available at head, jamb and sill



Available at head, jamb and sill

WINCO RESERVES THE RIGHT TO MODIFY OR CHANGE INFORMATION WITHIN THIS BOOK WHEN DEEMED NECESSARY FOR PRODUCT IMPROVEMENT

© WINCO WINDOW COMPANY, INC. 2021

SCALE 6"=1'-0"



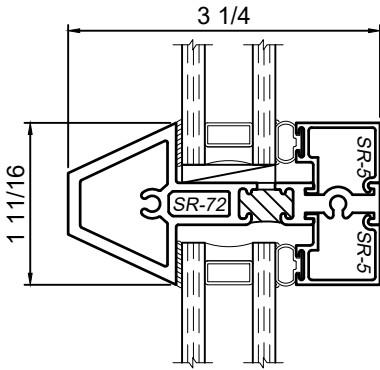
# 3250 Series 3-1/4" Thermal Fixed, Casement & Projected Windows

## Product Details - Rail Options

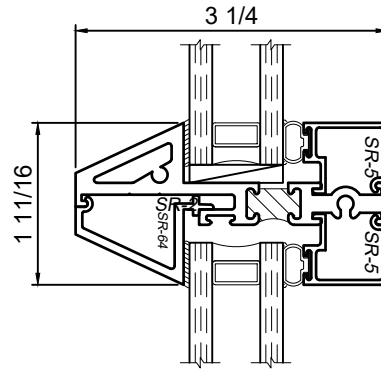


Note: Multiple configurations of this window system are available. Refer to the WINCO website for additional options or contact your local WINCO Sales Representative for information.

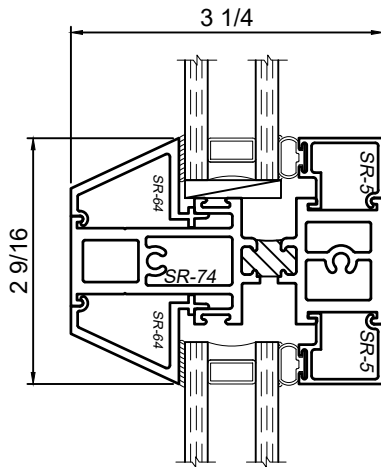
WINCO RESERVES THE RIGHT TO MODIFY OR CHANGE INFORMATION WITHIN THIS BOOK WHEN DEEMED NECESSARY FOR PRODUCT IMPROVEMENT



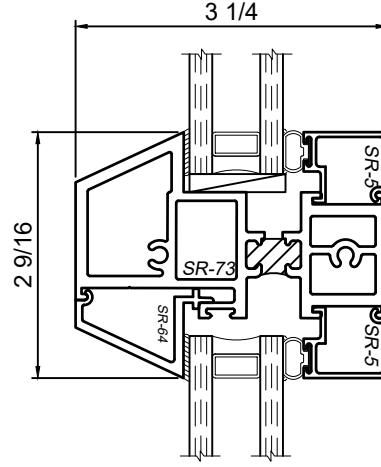
Standard Rail  
(All Lights Fixed)



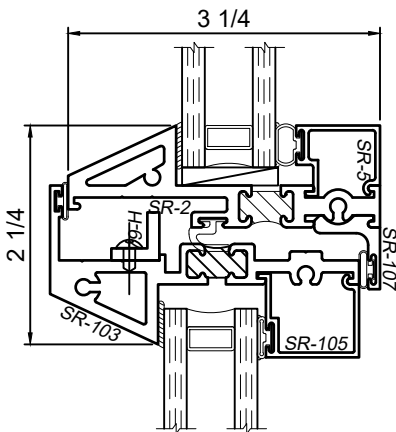
Standard Rail  
(Adjacent Fixed over Vent)



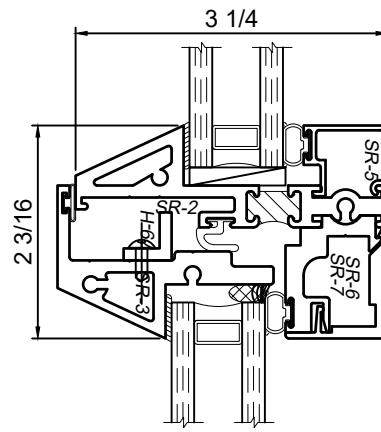
Heavy Duty Rail



Heavy Duty Rail



Standard Sash SR-103  
in Heavy Duty Rail  
(Cam Locks Only)



Optional Sash SR-3  
in Heavy Duty Rail  
(Jamb Mounted Lift Locks Only)

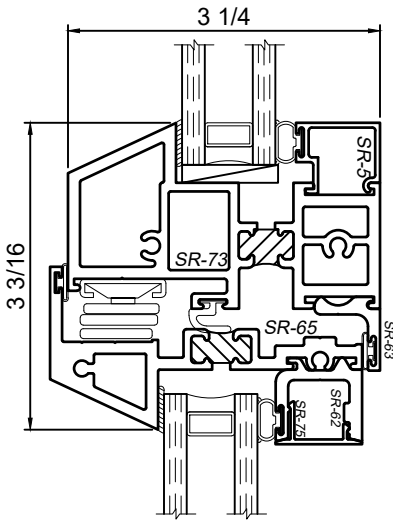
SCALE 6"=1'-0"

# 3250 Series 3-1/4" Thermal Fixed, Casement & Projected Windows

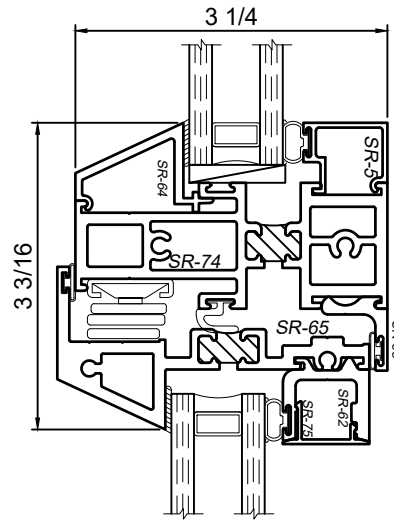
## Product Details - Rail Options



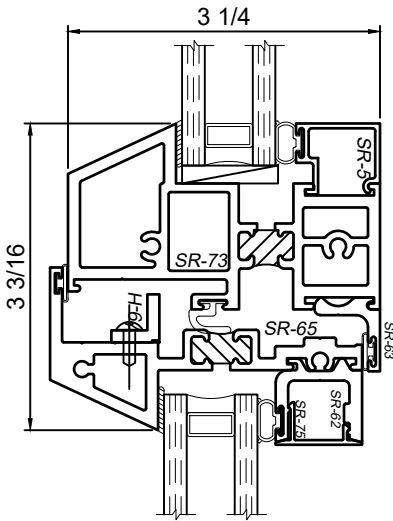
Note: Multiple configurations of this window system are available. Refer to the WINCO website for additional options or contact your local WINCO Sales Representative for information.



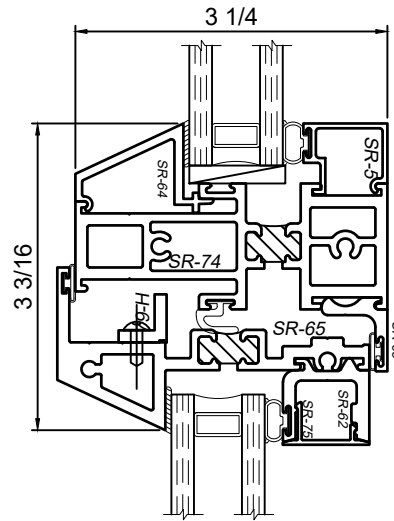
Standard Sash SR-65  
in Heavy Duty Rail  
(Cam Locks Only)



Standard Sash SR-65  
in Heavy Neutral Rail  
(Cam Locks Only)



Standard Sash SR-65  
in Heavy Duty Rail  
(Cam Locks Only)



Standard Sash SR-65  
in Heavy Neutral Rail  
(Cam Locks Only)

WINCO RESERVES THE RIGHT TO MODIFY OR CHANGE INFORMATION WITHIN THIS BOOK WHEN DEEMED NECESSARY FOR PRODUCT IMPROVEMENT

© WINCO WINDOW COMPANY, INC. 2021

SCALE 6"=1'-0"

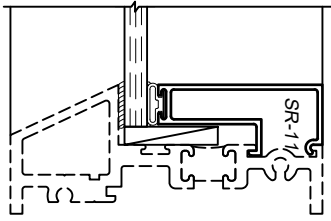
# 3250 Series 3-1/4" Thermal Fixed, Casement & Projected Windows

## Product Details - Glazing Options

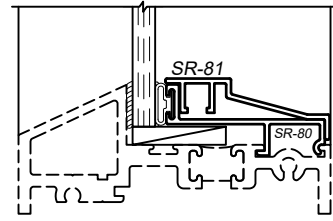


Note: Multiple configurations of this window system are available. Refer to the WINCO website for additional options or contact your local WINCO Sales Representative for information.

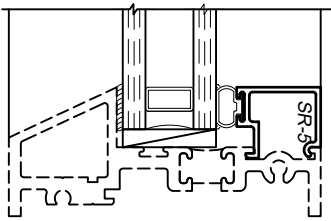
WINCO RESERVES THE RIGHT TO MODIFY OR CHANGE INFORMATION WITHIN THIS BOOK WHEN DEEMED NECESSARY FOR PRODUCT IMPROVEMENT



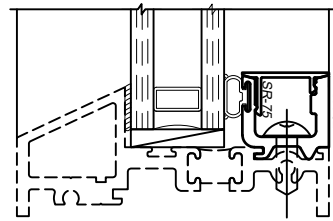
1/4" Glazing Bead  
SR-11



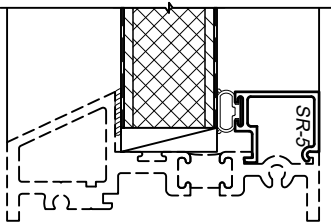
1/4" Glazing Bead  
SR-80 w/ SR-81 Grid  
Frame



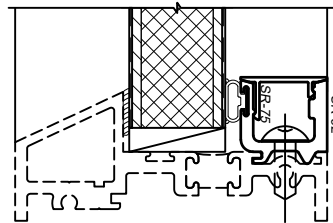
1" Glazing Bead  
SR-5



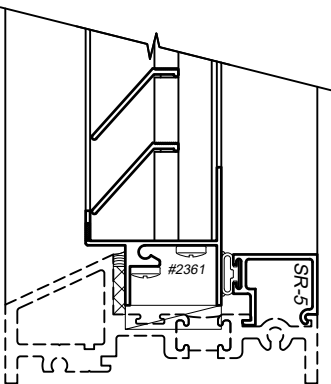
1" Glazing Bead  
SR-51 w/ SR-53 Cover



1" Glazing Bead  
(Insulated Panel)  
SR-5



1" Glazing Bead  
(Insulated Panel)  
SR-51 w/ SR-53 Cover



1" Glazing Bead  
(Louver)  
SR-5

Note: glazing options shown are a sample of what is available. If desired glazing is not shown please contact your local Winco Sales Representative for additional information.

SCALE 6"=1'-0"

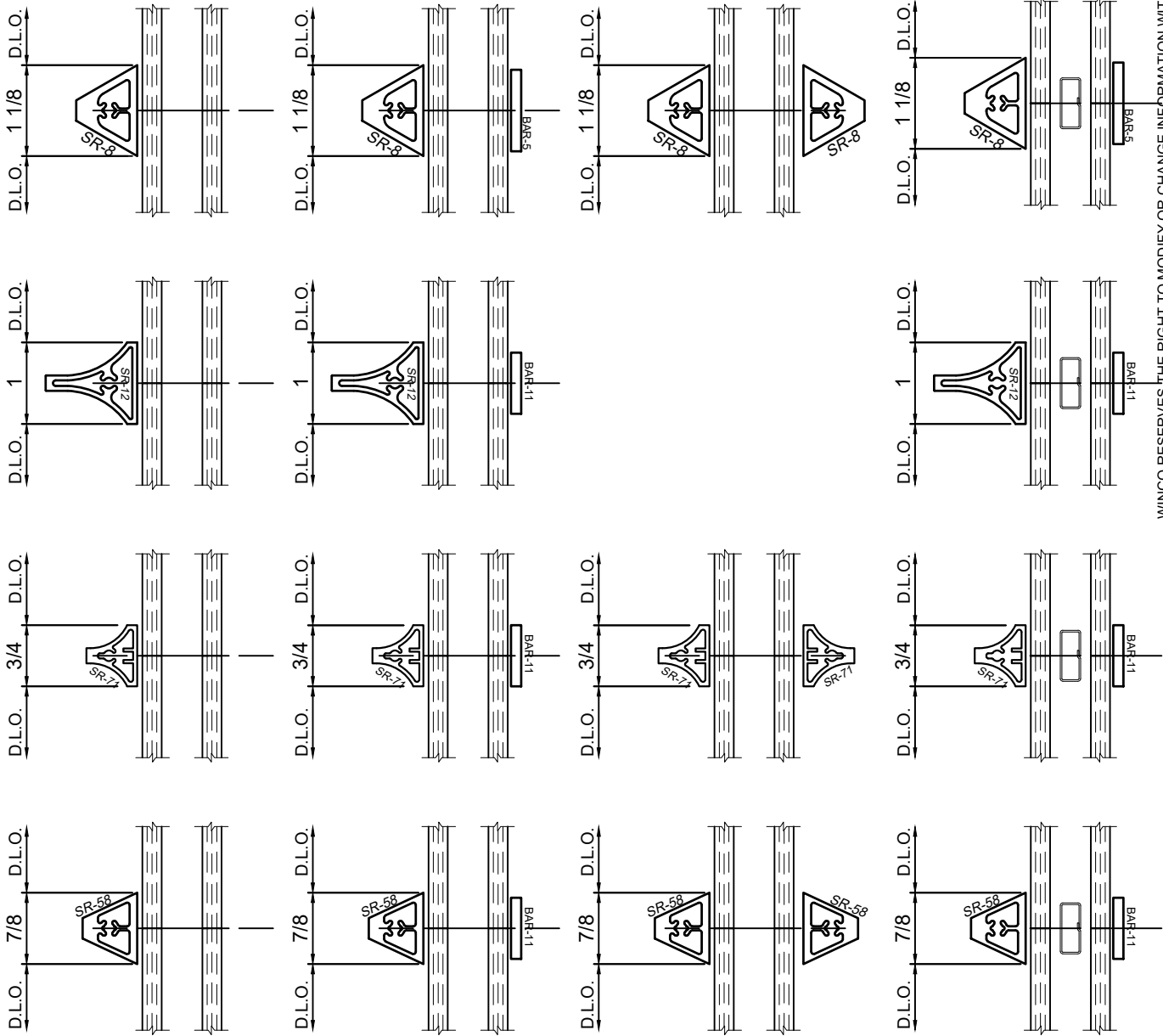
© WINCO WINDOW COMPANY, INC. 2021

# 3250 Series 3-1/4" Thermal Fixed, Casement & Projected Windows

## Product Details - Grid Options



Note: Multiple configurations of this window system are available. Refer to the WINCO website for additional options or contact your local WINCO Sales Representative for information.



WINCO RESERVES THE RIGHT TO MODIFY OR CHANGE INFORMATION WITHIN THIS BOOK WHEN DEEMED NECESSARY FOR PRODUCT IMPROVEMENT

© WINCO WINDOW COMPANY, INC. 2021

SCALE 6"=1'-0"

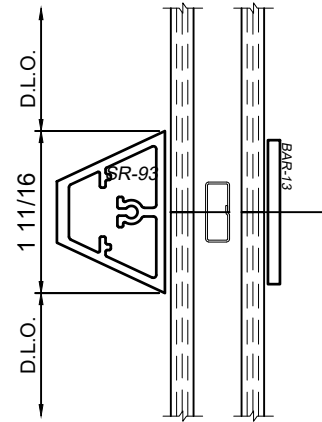
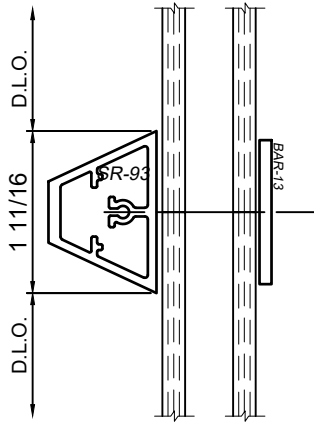
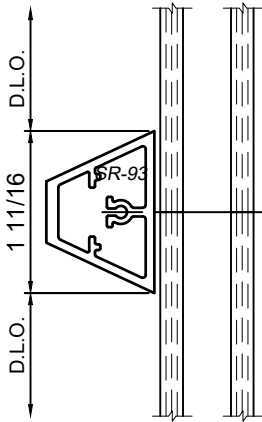
# 3250 Series 3-1/4" Thermal Fixed, Casement & Projected Windows

## Product Details - Grid Options



Note: Multiple configurations of this window system are available. Refer to the WINCO website for additional options or contact your local WINCO Sales Representative for information.

WINCO RESERVES THE RIGHT TO MODIFY OR CHANGE INFORMATION WITHIN THIS BOOK WHEN DEEMED NECESSARY FOR PRODUCT IMPROVEMENT



© WINCO WINDOW COMPANY, INC. 2021

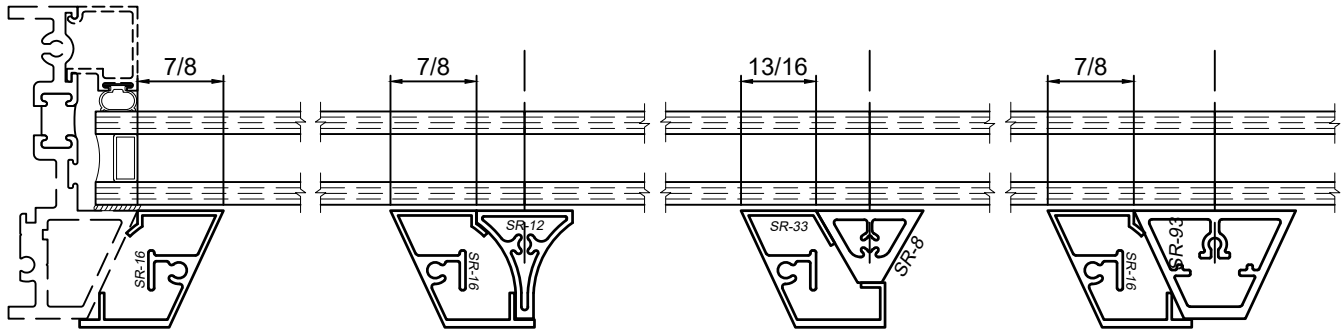
SCALE 6"=1'-0"

# 3250 Series 3-1/4" Thermal Fixed, Casement & Projected Windows

## Product Details - False Vent Options



Note: Multiple configurations of this window system are available. Refer to the WINCO website for additional options or contact your local WINCO Sales Representative for information.

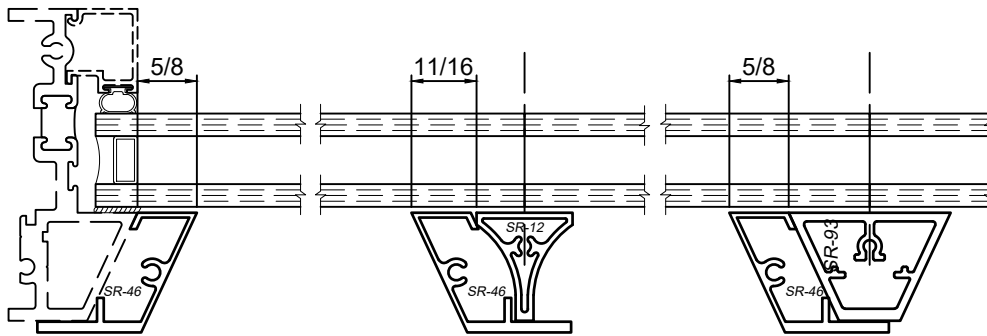


SR-16 False Vent at Frame or Rail

SR-16 False Vent at SR-12 Muntin

SR-33 False Vent at SR-8 Muntin

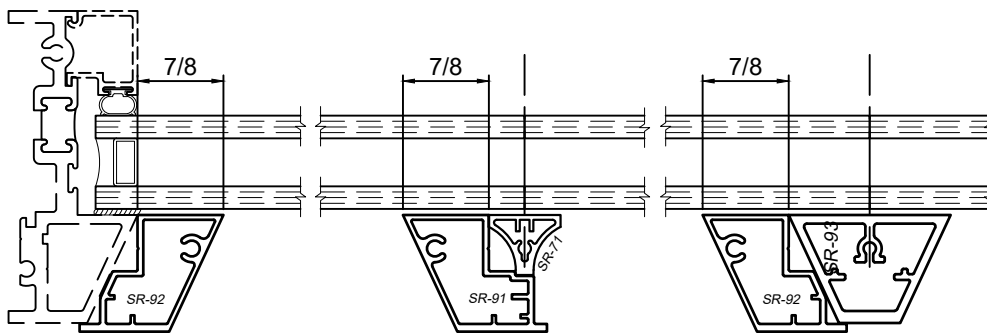
SR-16 False Vent at SR-93 Muntin



SR-46 False Vent at Frame or Rail

SR-46 False Vent at SR-12 Muntin

SR-46 False Vent at SR-93 Muntin



SR-92 False Vent at Frame or Rail

SR-91 False Vent at SR-71 Muntin

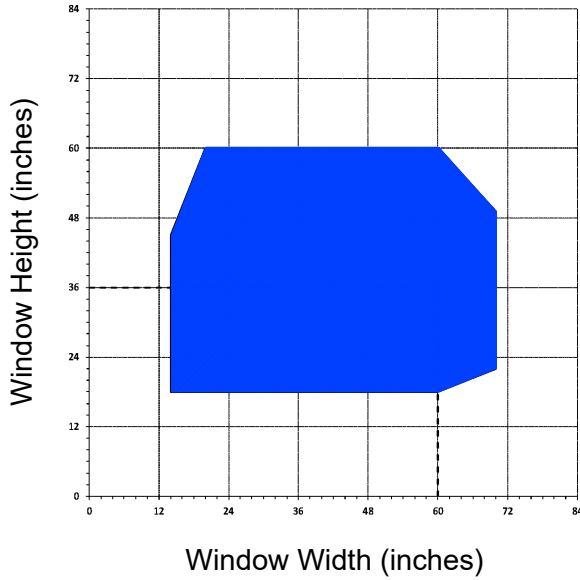
SR-92 False Vent at SR-93 Muntin

WINCO RESERVES THE RIGHT TO MODIFY OR CHANGE INFORMATION WITHIN THIS BOOK WHEN DEEMED NECESSARY FOR PRODUCT IMPROVEMENT

© WINCO WINDOW COMPANY, INC. 2021

WINCO RESERVES THE RIGHT TO MODIFY OR CHANGE INFORMATION WITHIN THIS BOOK WHEN DEEMED NECESSARY FOR PRODUCT IMPROVEMENT

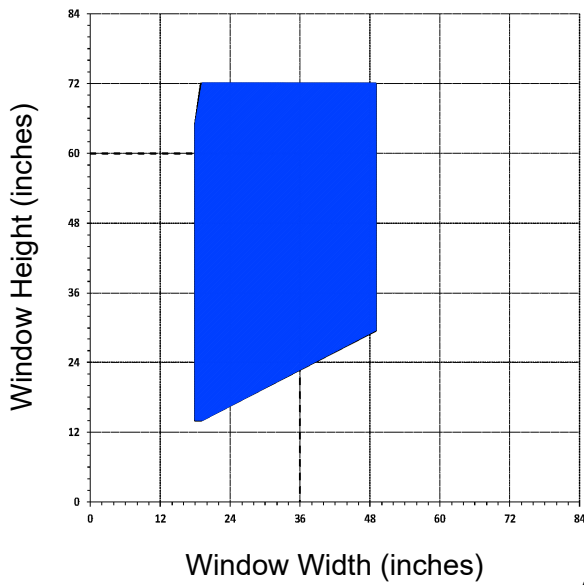
Projected In / Out with Four Bar Arms



© WINCO WINDOW COMPANY, INC. 2021

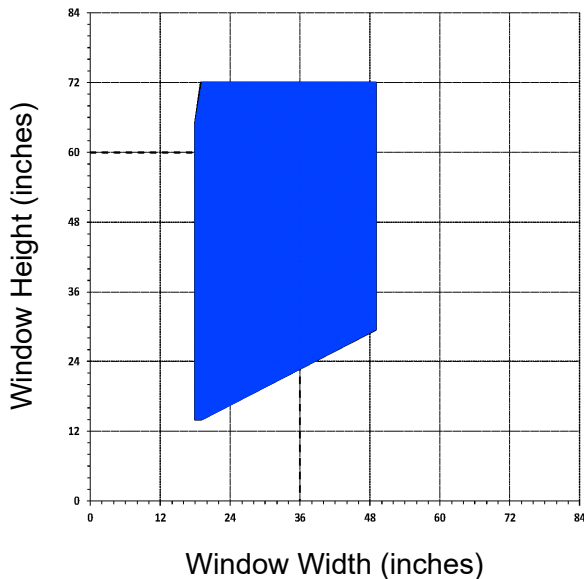
- Dashed line represents the gateway size window as tested by AAMA.
- All vent sizes are based upon 1" Insulated glass consisting of 1/4" glass - 1/2" air - 1/4" glass.
- Any vent size outside of the AAMA Gateway tested size may have reduced performance.
- Chart assumes the window has been installed in a properly prepared opening by a qualified installer.
- Individual job criteria such as: other glazing materials, specified wind load, and specific operating hardware; may enhance or restrict the chart.
- Minimum vent size is 14" x 18" with standard cam locks and 4-bar hinges.
- The chart is a general guideline for projected vent sizing, anything on the edge or outside of the range will need to be reviewed by Winco Engineering.

Casement with Concealed  
 Four Bar Casement Arm &  
 Jamb Mounted Lift Locks



----- AAMA Gateway Size

Casement with Concealed  
 Four Bar Casement Arm &  
 Cam Locks



- Dashed line represents the gateway size window as tested by AAMA.
- All vent sizes are based upon 1" Insulated glass consisting of 1/4" glass - 1/2" air - 1/4" glass.
- Any vent size outside of the AAMA Gateway tested size may have reduced performance.
- Chart assumes the window has been installed in a properly prepared opening by a qualified installer.
- Individual job criteria such as: other glazing materials, specified wind load, and specific operating hardware; may enhance or restrict the chart.
- Minimum vent size is 18" x 14" with standard cam locks and 4-bar hinges.
- The chart is a general guideline for projected vent sizing, anything on the edge or outside of the range will need to be reviewed by Winco Engineering.

WINCO RESERVES THE RIGHT TO MODIFY OR CHANGE INFORMATION WITHIN THIS BOOK WHEN DEEMED NECESSARY FOR PRODUCT IMPROVEMENT

© WINCO WINDOW COMPANY, INC. 2021



# 3250 Series 3-1/4" Thermal Fixed, Casement & Projected Windows

## Product Details - Vertical Stack - SR-37 / SR-37 w/ SR-40



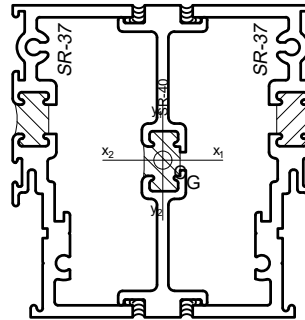
Note: Multiple configurations of this window system are available. Refer to the WINCO website for additional options or contact your local WINCO Sales Representative for information.

WINCO RESERVES THE RIGHT TO MODIFY OR CHANGE INFORMATION WITHIN THIS BOOK WHEN DEEMED NECESSARY FOR PRODUCT IMPROVEMENT

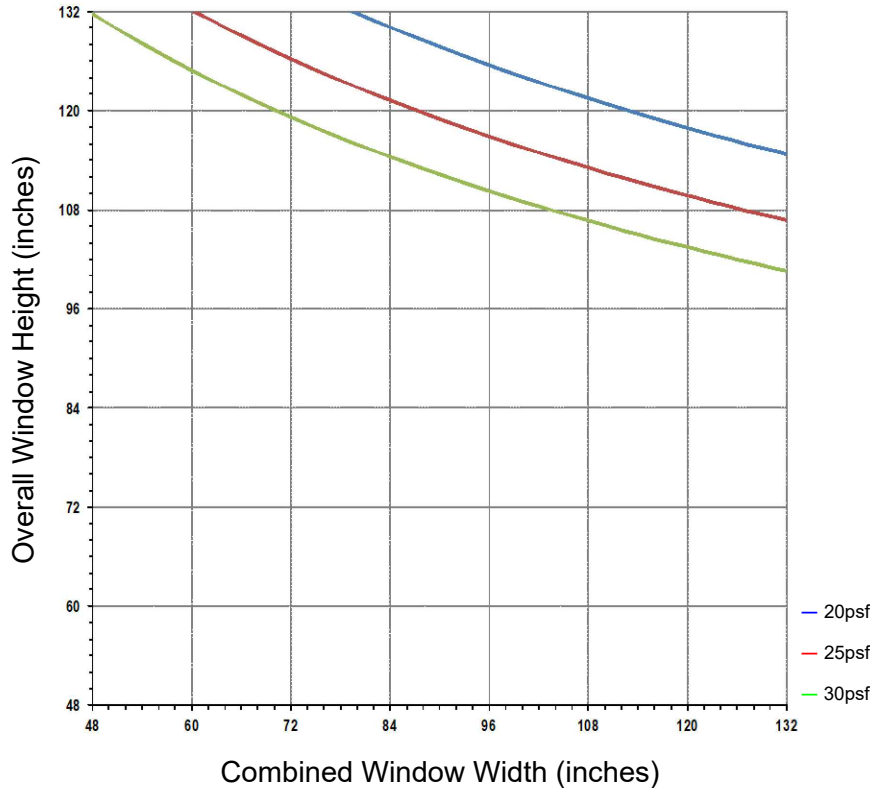
### Combined Properties

	X-X	Y-Y
I	3.0707 in <sup>4</sup>	2.2280 in <sup>4</sup>
S	1.8764 in <sup>3</sup>	1.4843 in <sup>3</sup>

Maximum area = 40 ft<sup>2</sup>  
 Maximum Total Unit Weight  
 must not exceed 500 lbs.



### Wind Load Chart



This chart can be used as a guideline for the preliminary structural evaluation of the mullion/stack shown. The chart is based on conservative engineering practices and the minimum result from either L/175 Deflection, 3/4" deflection, or 15 ksi outer fiber stress. The chart reflects the structural strength of 2 continuous window jambs running the full height of the opening. WINCO highly recommends consulting an engineer for any of the following circumstances:

- The window under consideration falls close too or on the design pressure line.
- Any rail exceeds 48" with a large (>16ft<sup>2</sup>) light of glass above.
- Any vent width exceeds 60".
- Window exceeds the maximum size shown.
- Window has multiple rails (>3).

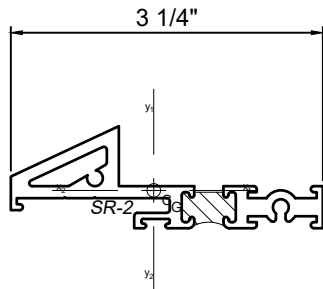
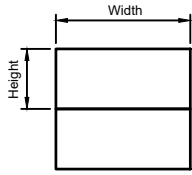
© WINCO WINDOW COMPANY, INC. 2021

# 3250 Series 3-1/4" Thermal Fixed, Casement & Projected Windows

## Product Details - SR-2 Rail

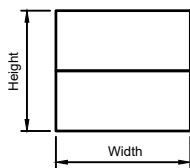


Note: Multiple configurations of this window system are available. Refer to the WINCO website for additional options or contact your local WINCO Sales Representative for information.

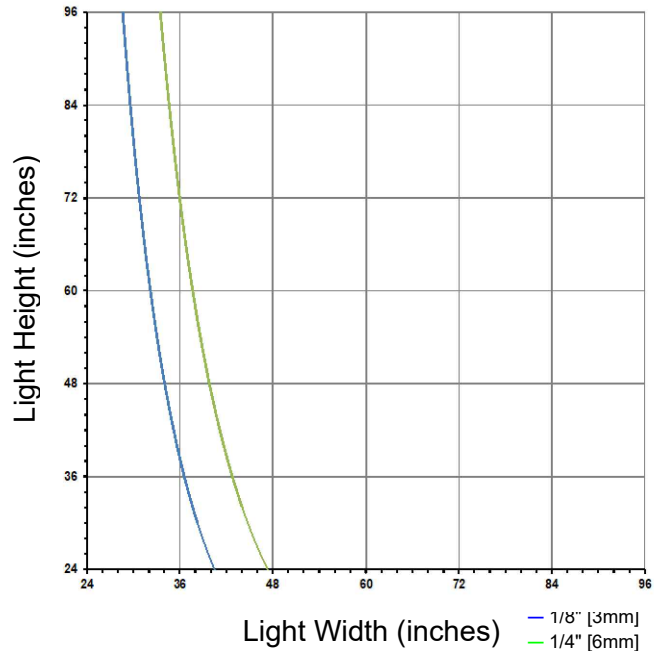


Section Properties

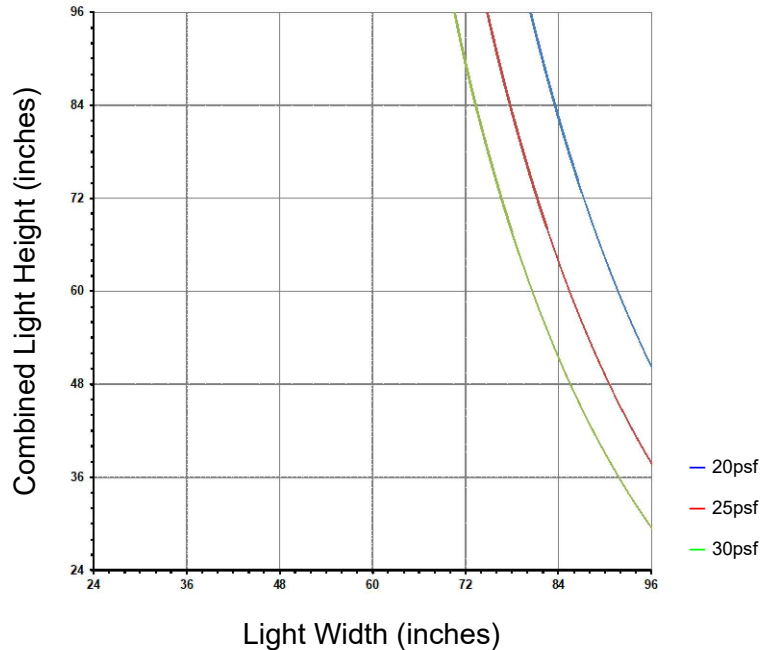
	X-X	Y-Y
I	0.7646 in <sup>4</sup>	0.0455 in <sup>4</sup>
S	0.4343 in <sup>3</sup>	0.0680 in <sup>3</sup>



### Glass Load Chart



### Wind Load Chart



This chart can be used as a guideline for the preliminary structural evaluation of the Rail shown. The Dead Load chart is based on 1/4" - 1/2" - 1/4" I.G. and 0.090" deflection at 1/4 and 1/8 point blocking. The Wind Load Chart is based upon the minimum result from either L/175 deflection, 3/4" deflection, or 15 ksi outer fiber stress. The charts reflect the structural strength of only the Rail. WINCO highly recommends consulting an engineer for any of the following circumstances:

- The window under consideration falls close too or on the design pressure line.
- Any rail exceeds 48" with a large (>16ft<sup>2</sup>) light of glass above.
- I.G. make-up varies from the default.
- I.G. has additional blocking.

WINCO RESERVES THE RIGHT TO MODIFY OR CHANGE INFORMATION WITHIN THIS BOOK WHEN DEEMED NECESSARY FOR PRODUCT IMPROVEMENT

© WINCO WINDOW COMPANY, INC. 2021

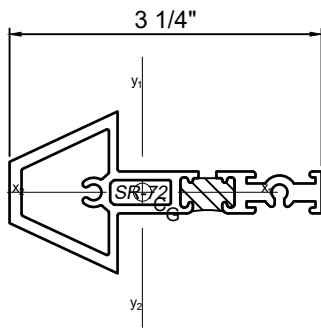
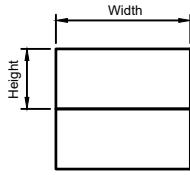
# 3250 Series 3-1/4" Thermal Fixed, Casement & Projected Windows

## Product Details - SR-72 Rail



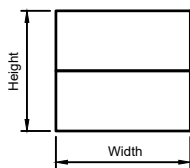
Note: Multiple configurations of this window system are available. Refer to the WINCO website for additional options or contact your local WINCO Sales Representative for information.

WINCO RESERVES THE RIGHT TO MODIFY OR CHANGE INFORMATION WITHIN THIS BOOK WHEN DEEMED NECESSARY FOR PRODUCT IMPROVEMENT

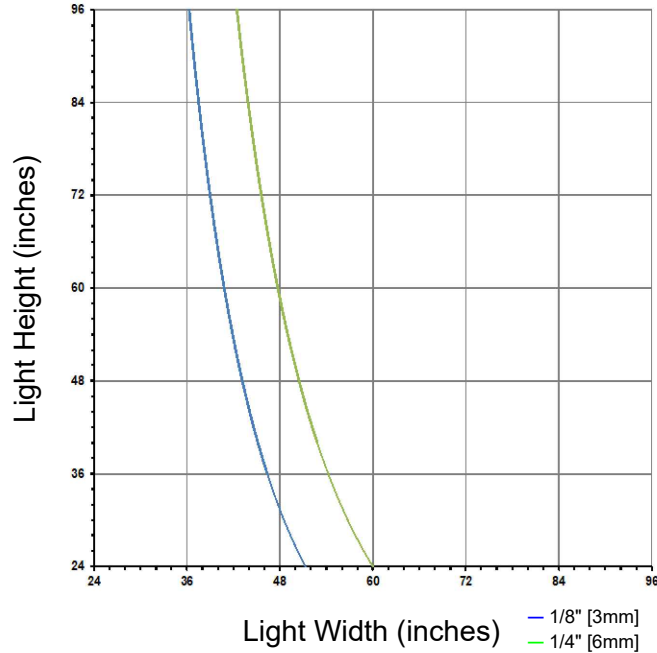


Section Properties

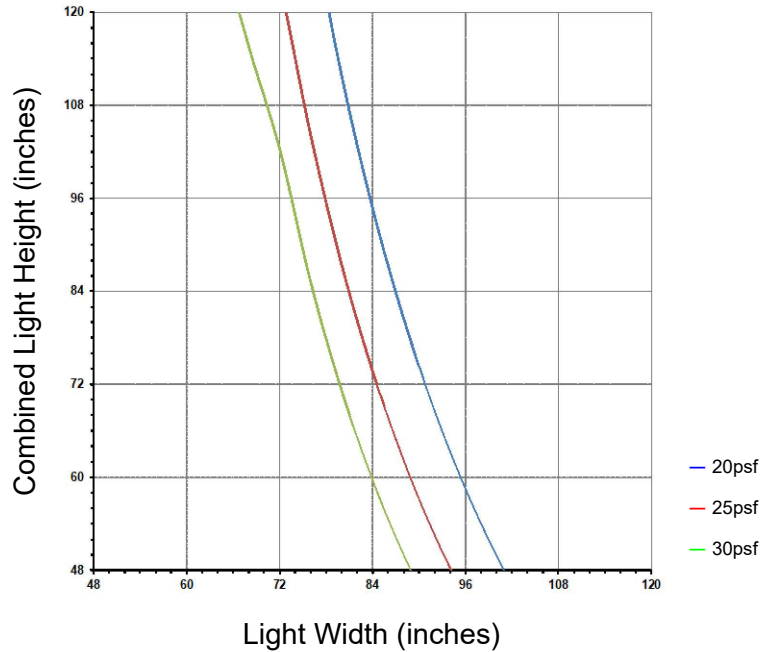
	X-X	Y-Y
I	0.8658 in <sup>4</sup>	0.1175 in <sup>4</sup>
S	0.4640 in <sup>3</sup>	0.1388 in <sup>3</sup>



### Glass Load Chart



### Wind Load Chart



This chart can be used as a guideline for the preliminary structural evaluation of the Rail shown. The Dead Load chart is based on 1/4" - 1/2" - 1/4" I.G. and 0.090" deflection at 1/4 and 1/8 point blocking. The Wind Load Chart is based upon the minimum result from either L/175 deflection, 3/4" deflection, or 15 ksi outer fiber stress. The charts reflect the structural strength of only the Rail. WINCO highly recommends consulting an engineer for any of the following circumstances:

- The window under consideration falls close too or on the design pressure line.
- Any rail exceeds 48" with a large (>16ft<sup>2</sup>) light of glass above.
- I.G. make-up varies from the default.
- I.G. has additional blocking.

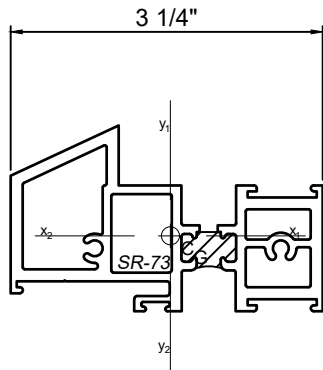
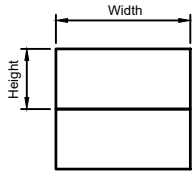
© WINCO WINDOW COMPANY, INC. 2021

# 3250 Series 3-1/4" Thermal Fixed, Casement & Projected Windows

## Product Details - SR-73 Rail

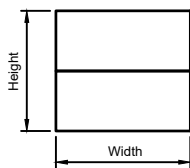


Note: Multiple configurations of this window system are available. Refer to the WINCO website for additional options or contact your local WINCO Sales Representative for information.

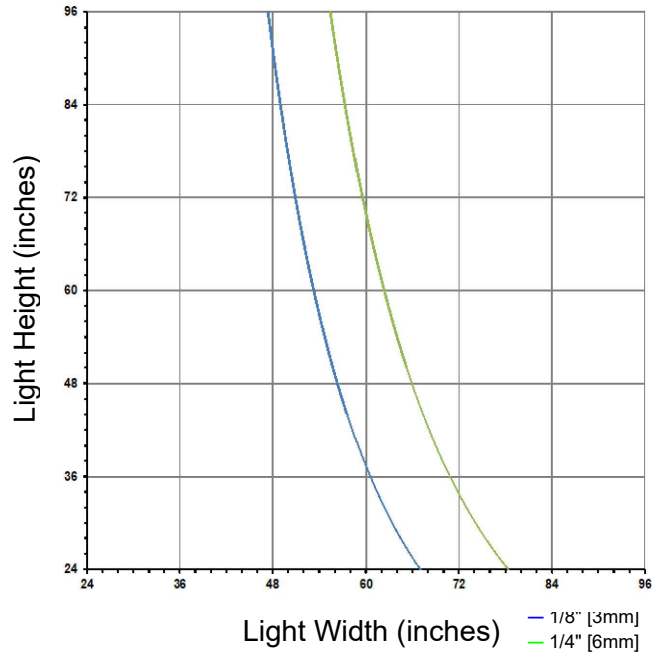


Section Properties

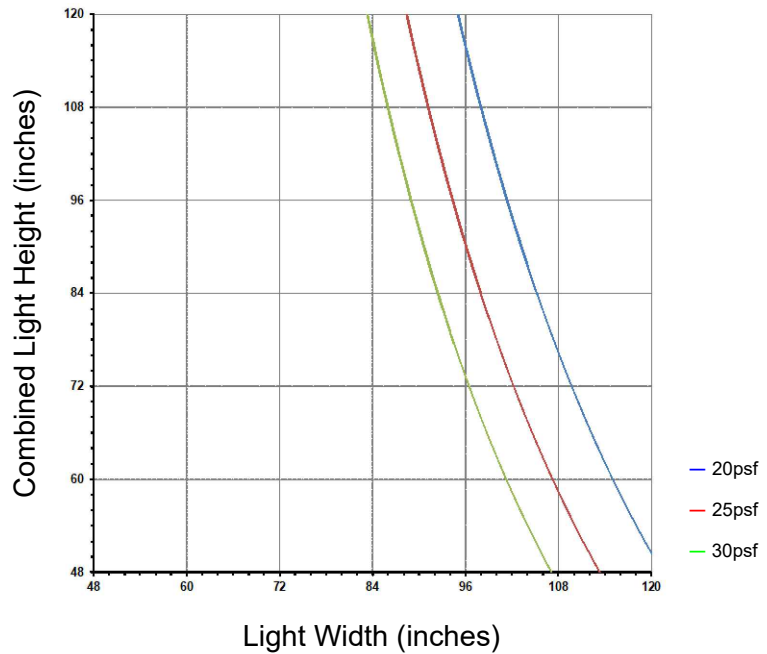
	X-X	Y-Y
I	1.5705 in <sup>4</sup>	0.3420 in <sup>4</sup>
S	0.9445 in <sup>3</sup>	0.2974 in <sup>3</sup>



### Glass Load Chart



### Wind Load Chart



This chart can be used as a guideline for the preliminary structural evaluation of the Rail shown. The Dead Load chart is based on 1/4" - 1/2" - 1/4" I.G. and 0.090" deflection at 1/4 and 1/8 point blocking. The Wind Load Chart is based upon the minimum result from either L/175 deflection, 3/4" deflection, or 15 ksi outer fiber stress. The charts reflect the structural strength of only the Rail. WINCO highly recommends consulting an engineer for any of the following circumstances:

- The window under consideration falls close too or on the design pressure line.
- Any rail exceeds 48" with a large (>16ft<sup>2</sup>) light of glass above.
- I.G. make-up varies from the default.
- I.G. has additional blocking.

WINCO RESERVES THE RIGHT TO MODIFY OR CHANGE INFORMATION WITHIN THIS BOOK WHEN DEEMED NECESSARY FOR PRODUCT IMPROVEMENT

© WINCO WINDOW COMPANY, INC. 2021

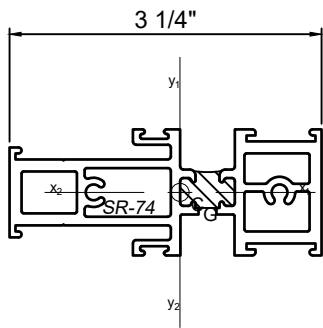
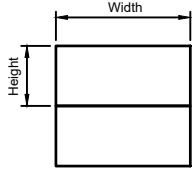
# 3250 Series 3-1/4" Thermal Fixed, Casement & Projected Windows

## Product Details - SR-74 Rail



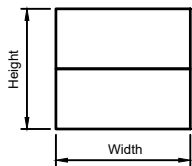
Note: Multiple configurations of this window system are available. Refer to the WINCO website for additional options or contact your local WINCO Sales Representative for information.

WINCO RESERVES THE RIGHT TO MODIFY OR CHANGE INFORMATION WITHIN THIS BOOK WHEN DEEMED NECESSARY FOR PRODUCT IMPROVEMENT

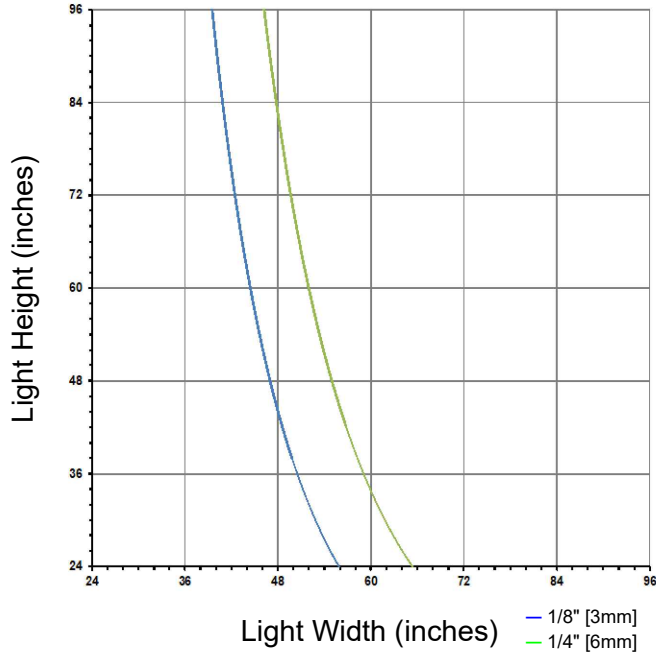


### Section Properties

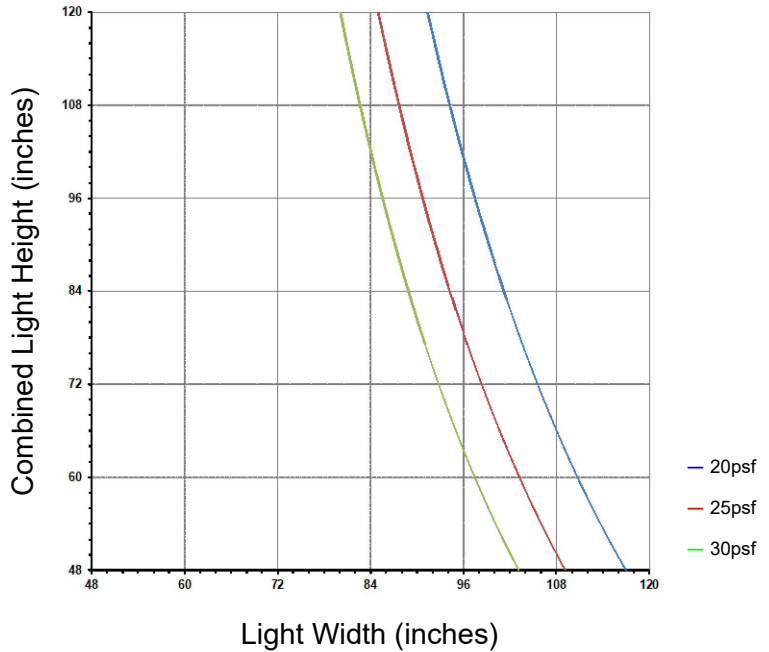
	X-X	Y-Y
I	1.3909 in <sup>4</sup>	0.1653 in <sup>4</sup>
S	0.7831 in <sup>3</sup>	0.2517 in <sup>3</sup>



### Glass Load Chart



### Wind Load Chart



This chart can be used as a guideline for the preliminary structural evaluation of the Rail shown. The Dead Load chart is based on 1/4" - 1/2" - 1/4" I.G. and 0.090" deflection at 1/4 and 1/8 point blocking. The Wind Load Chart is based upon the minimum result from either L/175 deflection, 3/4" deflection, or 15 ksi outer fiber stress. The charts reflect the structural strength of only the Rail. WINCO highly recommends consulting an engineer for any of the following circumstances:

- The window under consideration falls close too or on the design pressure line.
- Any rail exceeds 48" with a large (>16ft<sup>2</sup>) light of glass above.
- I.G. make-up varies from the default.
- I.G. has additional blocking.

© WINCO WINDOW COMPANY, INC. 2021

# 3250 Series 3-1/4" Thermal Fixed, Casement & Projected Windows

## Product Details



Note: Multiple configurations of this window system are available. Refer to the WINCO website for additional options or contact your local WINCO Sales Representative for information.

WINCO RESERVES THE RIGHT TO MODIFY OR CHANGE INFORMATION WITHIN  
THIS BOOK WHEN DEEMED NECESSARY FOR PRODUCT IMPROVEMENT

**This page is purposely left blank**

© WINCO WINDOW COMPANY, INC. 2021

# 3250 Series 3-1/4" Thermal Fixed, Casement & Projected Windows

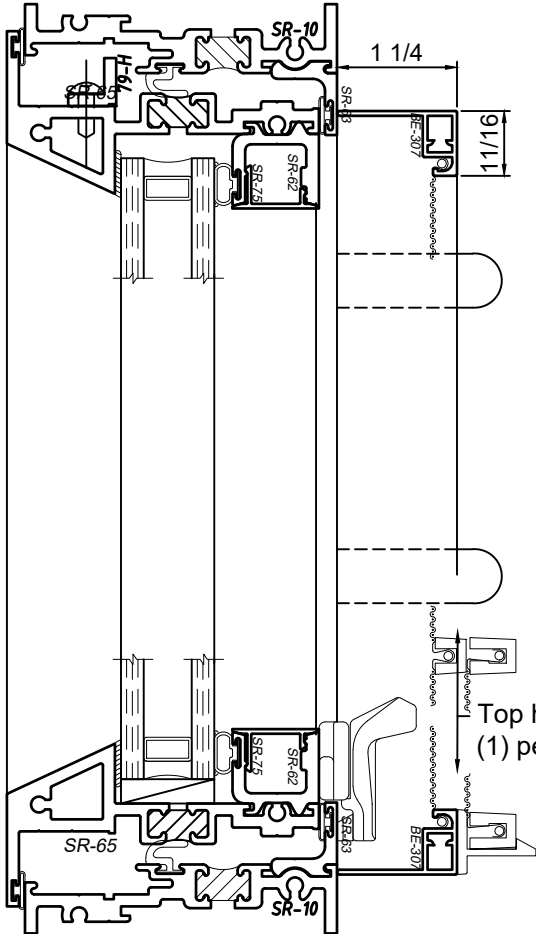


Product Details - Screen Options - PO - Awning

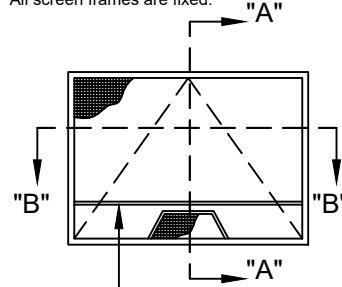
Note: Typical vent screen details shown. Winco reserves the right to alter the screen attachment detail due to job specific sizing and hardware. If you have specific screen applications you would like to see please contact your local Winco Sales Representative for more information.

WINCO RESERVES THE RIGHT TO MODIFY OR CHANGE INFORMATION WITHIN THIS BOOK WHEN DEEMED NECESSARY FOR PRODUCT IMPROVEMENT

Section "A" - "A"



Note: Dashed lines on screen elevations depict operable sash type. All screen frames are fixed.



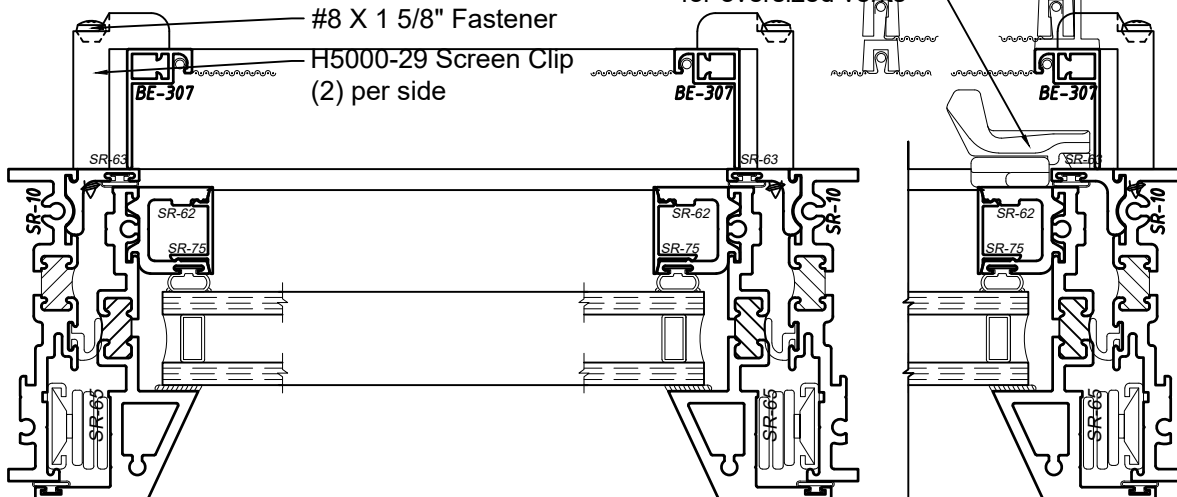
Optional D8-90 Muntin Bar



Winco reserves the right to add the D8-90 muntin bar to any aluminum mesh screen for wicket support if the vent becomes too wide. All Fiberglass screen mesh will receive the support rail regardless of width.

Top hinged Wicket  
(1) per cam lock

Optional jamb lock for oversized vents



SCALE 6"=1'-0"

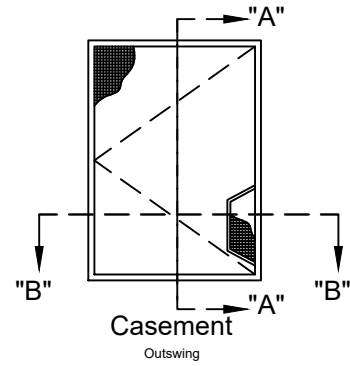
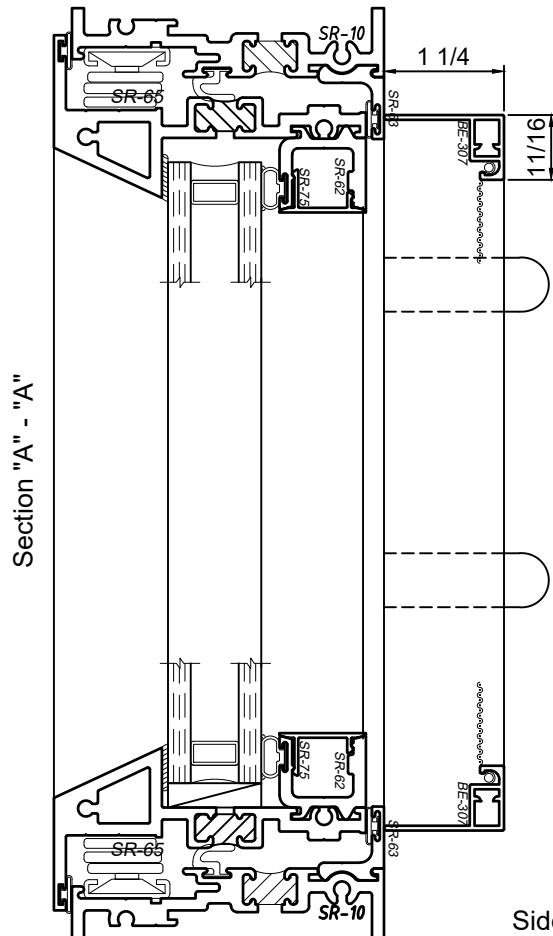
Section "B" - "B"

# 3250 Series 3-1/4" Thermal Fixed, Casement & Projected Windows

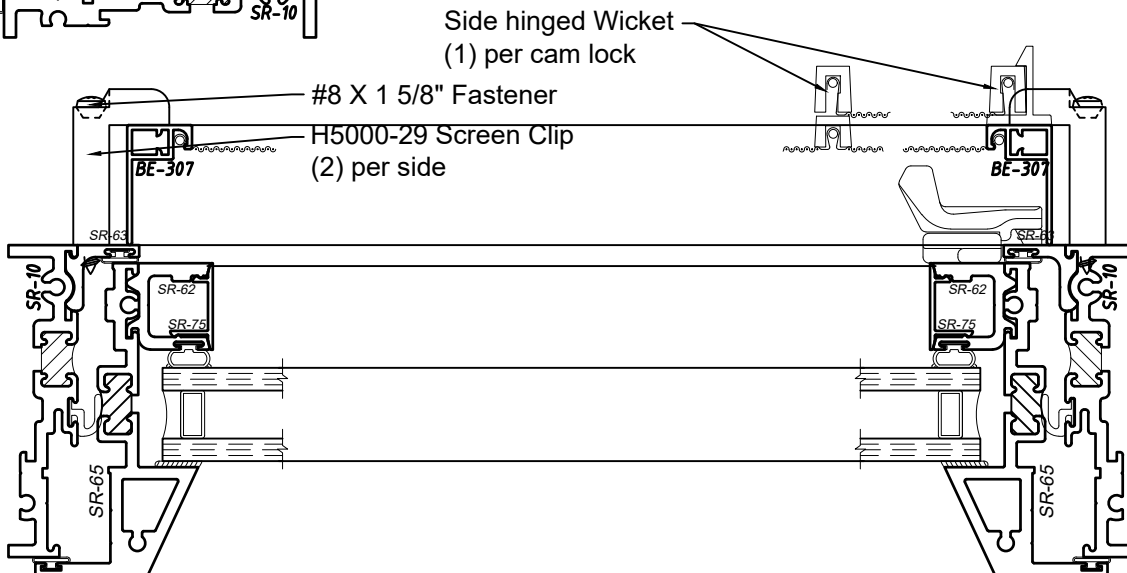
## Product Details - Screen Options - Outswing Casement



Note: Typical vent screen details shown. Winco reserves the right to alter the screen attachment detail due to job specific sizing and hardware. If you have specific screen applications you would like to see please contact your local Winco Sales Representative for more information.



Note: Dashed lines on screen elevations depict operable sash type. All screen frames are fixed



SCALE 6"=1'-0"

Section "B" - "B"

WINCO RESERVES THE RIGHT TO MODIFY OR CHANGE INFORMATION WITHIN THIS BOOK WHEN DEEMED NECESSARY FOR PRODUCT IMPROVEMENT

© WINCO WINDOW COMPANY, INC. 2021



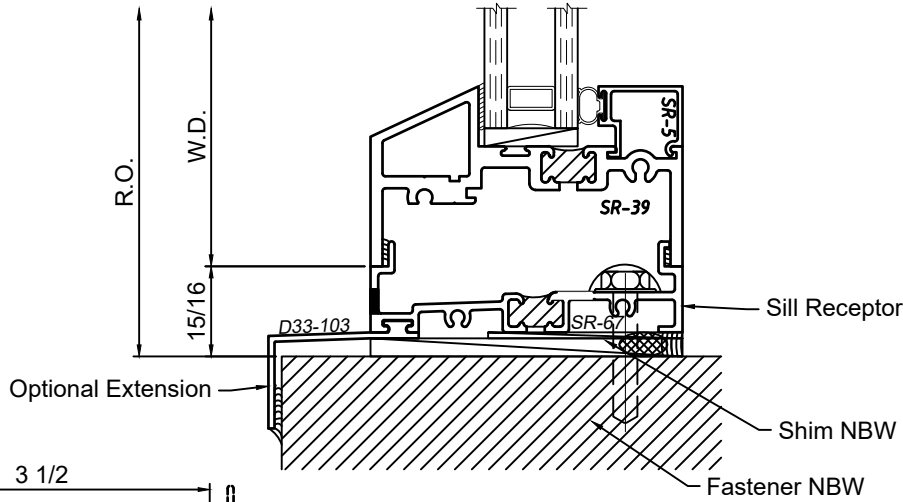
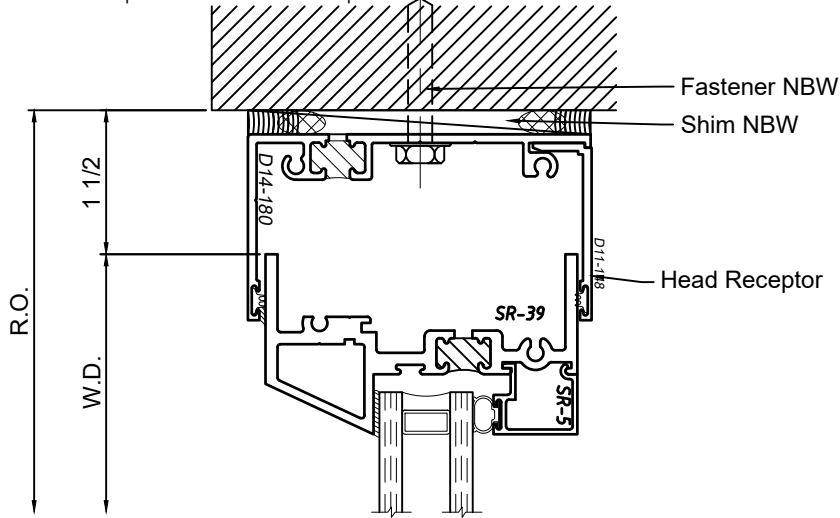
# 3250 Series 3-1/4" Thermal Fixed, Casement & Projected Windows

## Product Details - Trim - Receptor Installation

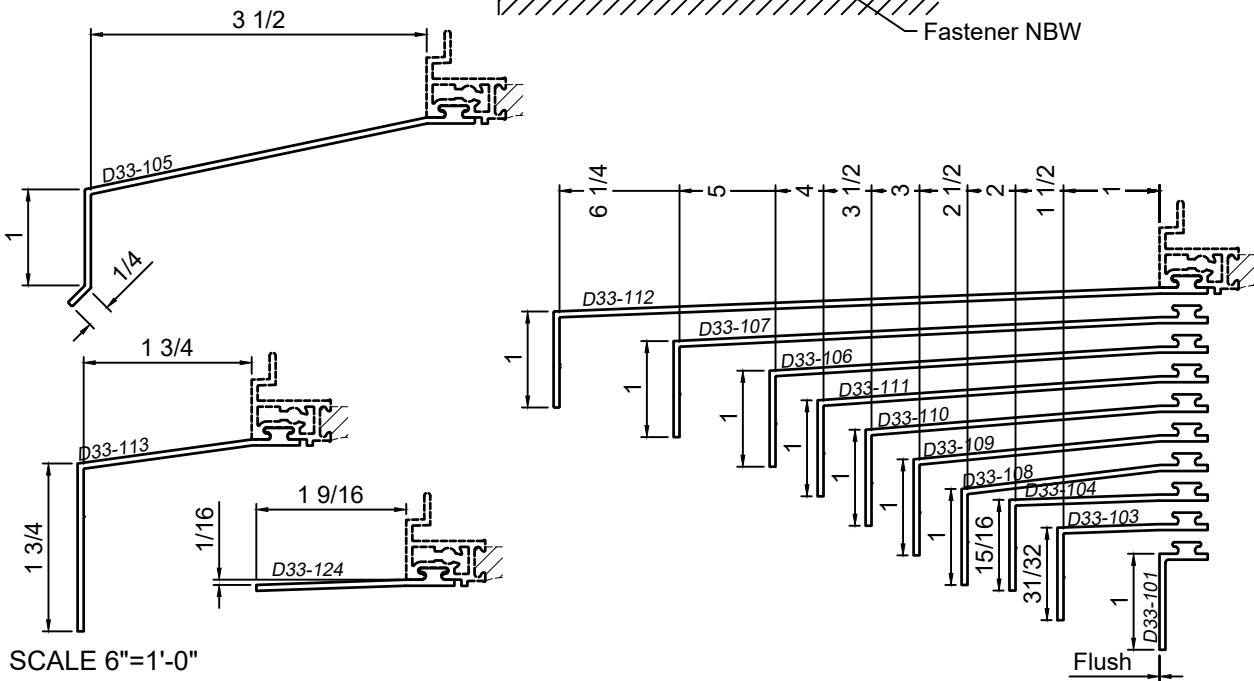


Note: See Winco Installation Instructions for a detailed description of installation notes and procedures.

WINCO RESERVES THE RIGHT TO MODIFY OR CHANGE INFORMATION WITHIN THIS BOOK WHEN DEEMED NECESSARY FOR PRODUCT IMPROVEMENT



© WINCO WINDOW COMPANY, INC. 2021



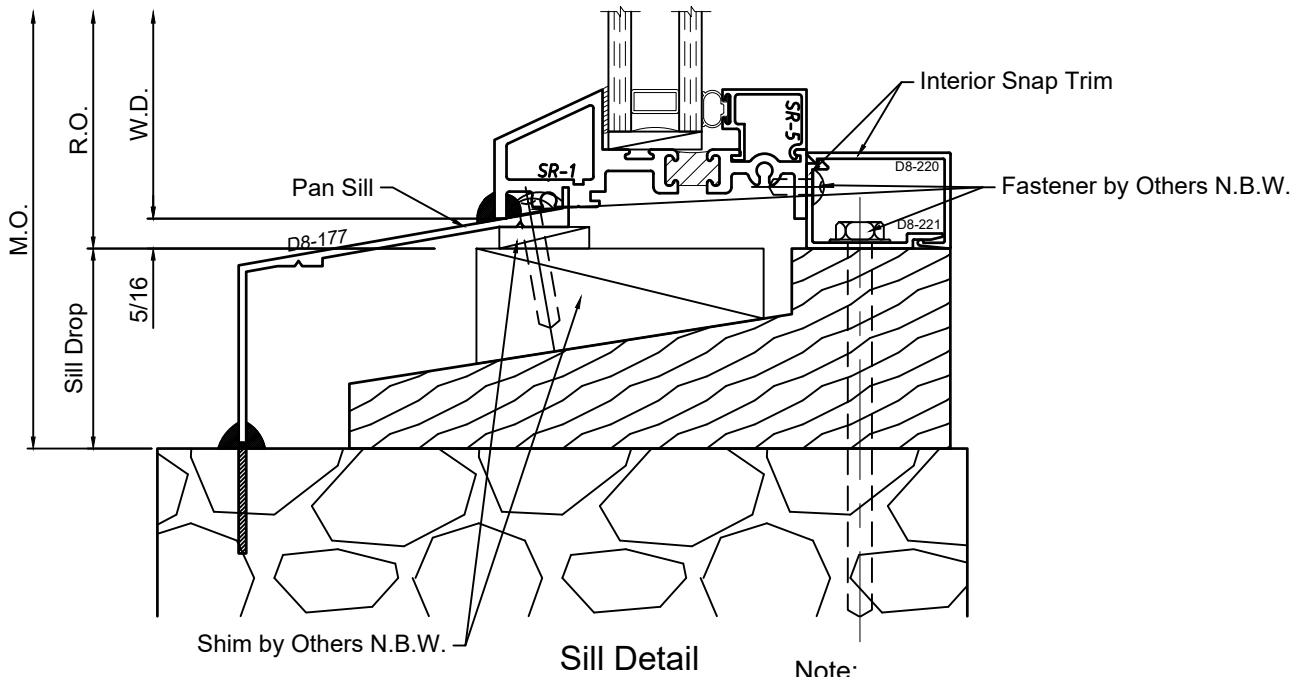
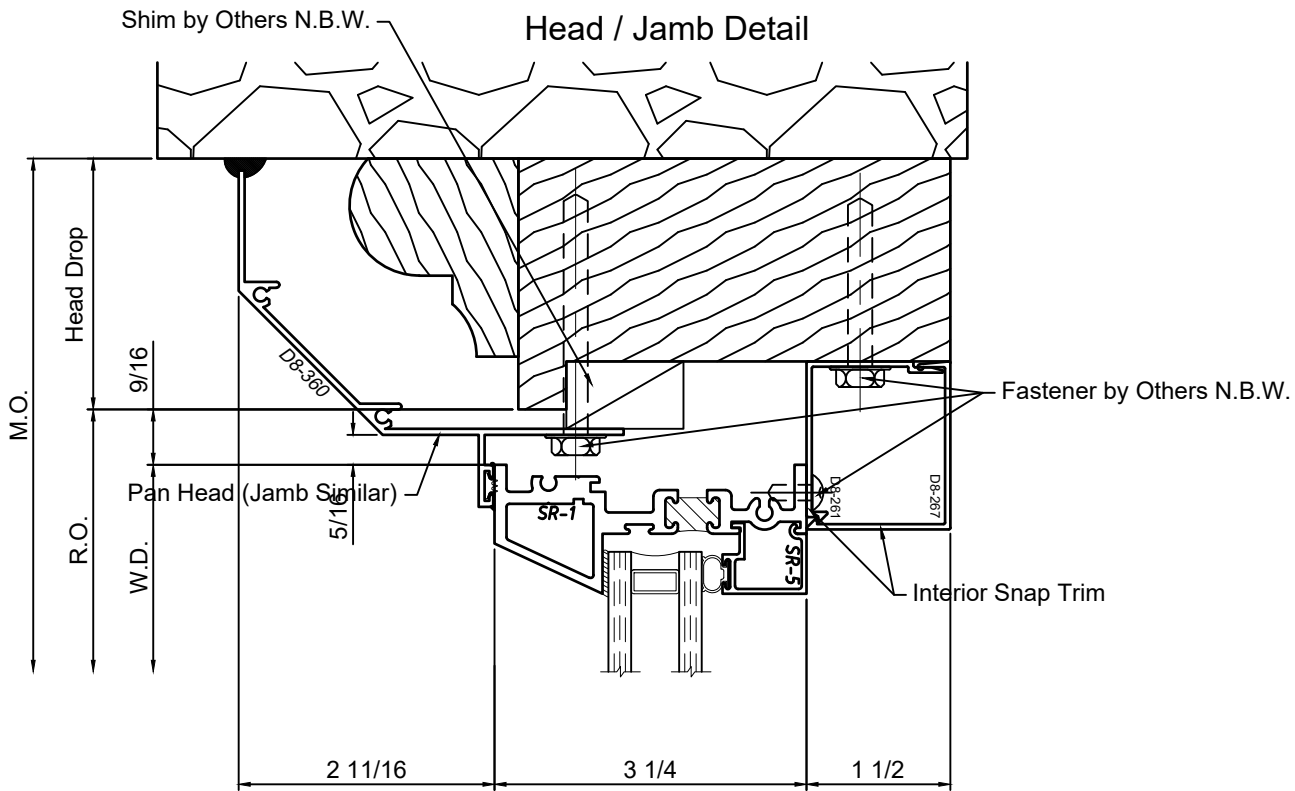
SCALE 6"=1'-0"

# 3250 Series 3-1/4" Thermal Fixed, Casement & Projected Windows

## Product Details - Trim - Panning Installation



Note: See Winco Installation Instructions for a detailed description of installation notes and procedures.



Note:  
Typical panning system shown. Refer to "Panning and Trim" section of detail binder for all panning and interior snap trim options

SCALE 6"=1'-0"

WINCO RESERVES THE RIGHT TO MODIFY OR CHANGE INFORMATION WITHIN THIS BOOK WHEN DEEMED NECESSARY FOR PRODUCT IMPROVEMENT

© WINCO WINDOW COMPANY, INC. 2021

# 3250 Series 3-1/4" Thermal Fixed, Casement & Projected Windows

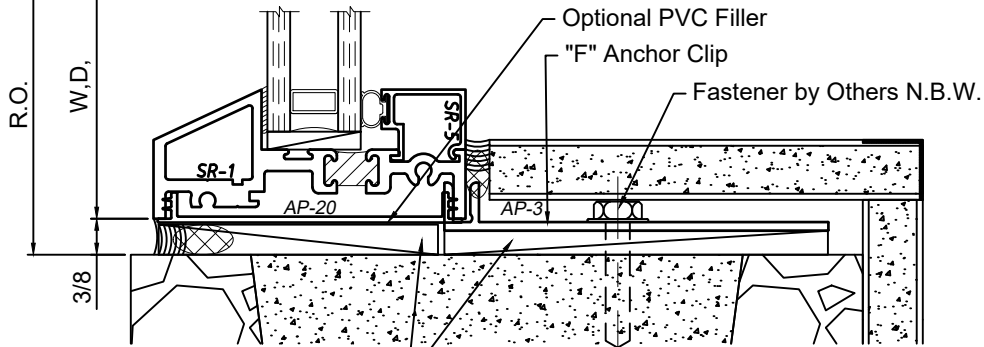
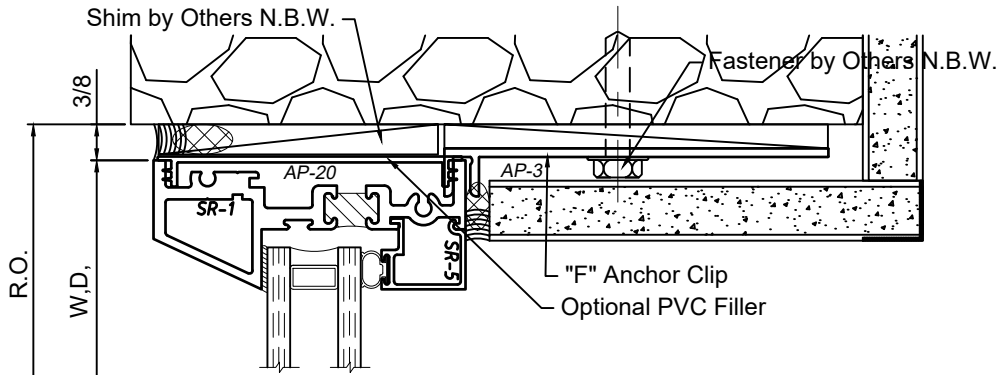
## Product Details - Trim - F-Anchor and Snap Trim Installation



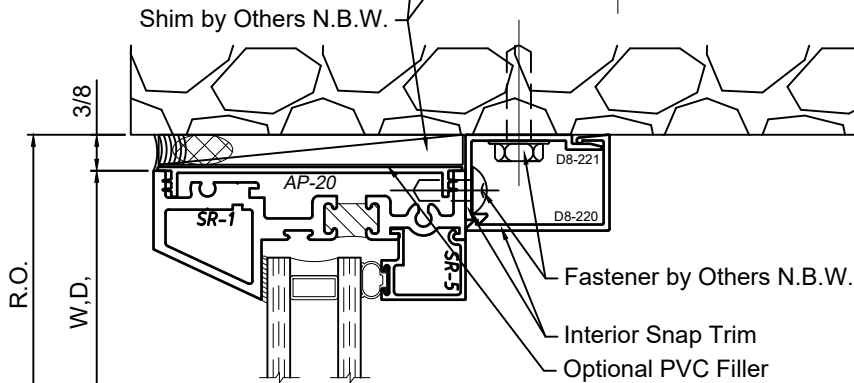
Note: See Winco Installation Instructions for a detailed description of installation notes and procedures.

WINCO RESERVES THE RIGHT TO MODIFY OR CHANGE INFORMATION WITHIN THIS BOOK WHEN DEEMED NECESSARY FOR PRODUCT IMPROVEMENT

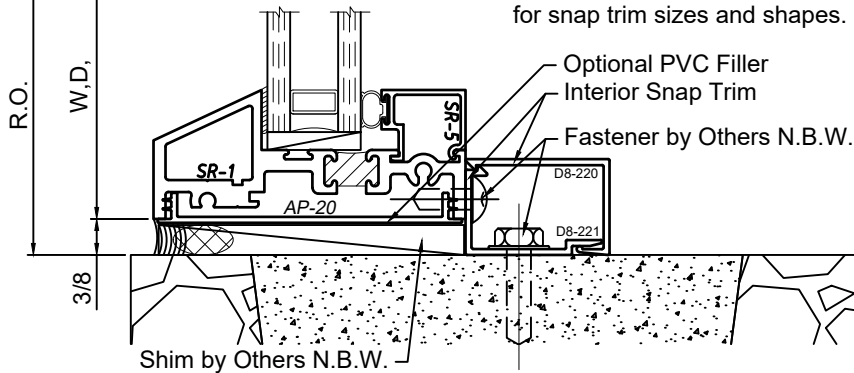
### "F" Clip Installation



### Snap Trim Installation

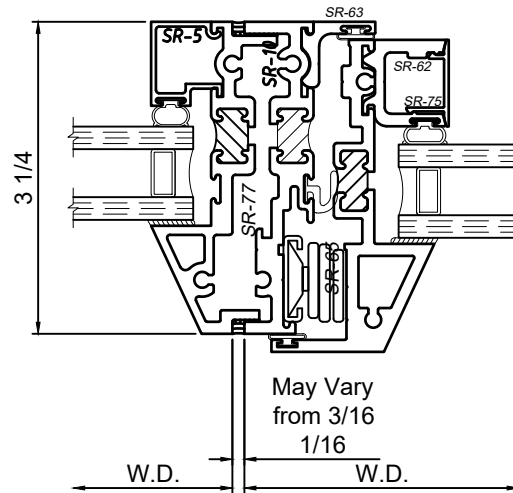


Note:  
Typical snap trim profile shown. Refer to "Panning and Trim" section of detail binder for snap trim sizes and shapes.

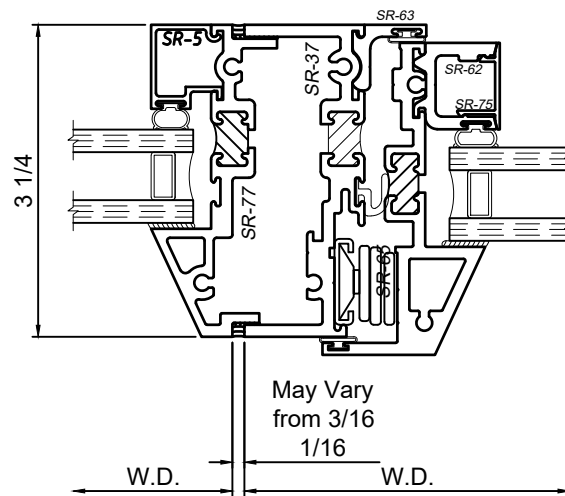


SCALE 6"=1'-0"

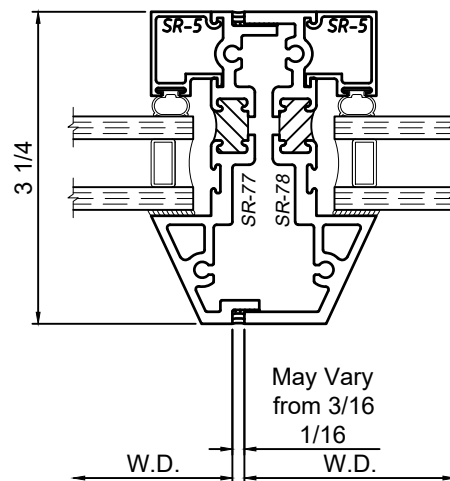
Typical Side Stack Framing at SR-77 / SR-10



Typical Side Stack Framing at SR-77 / SR-37



Typical Side Stack Framing at SR-77 / SR-78



SCALE 6"=1'-0"

WINCO RESERVES THE RIGHT TO MODIFY OR CHANGE INFORMATION WITHIN THIS BOOK WHEN DEEMED NECESSARY FOR PRODUCT IMPROVEMENT

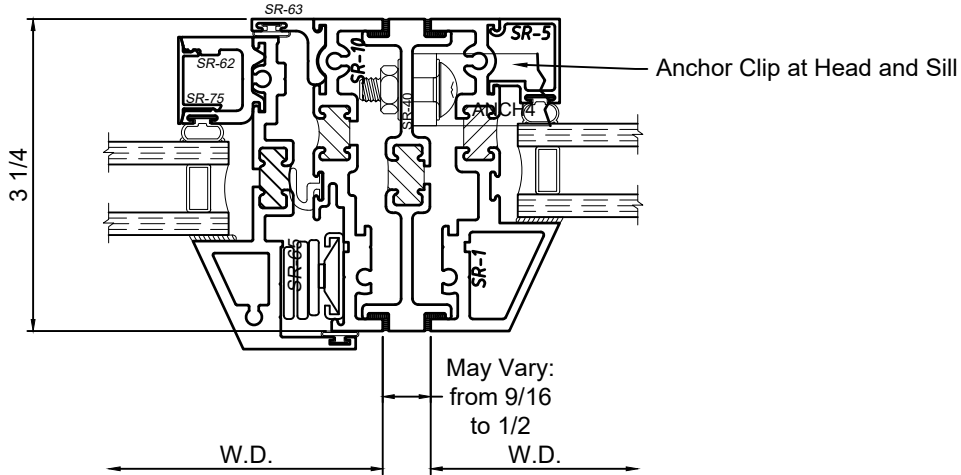
© WINCO WINDOW COMPANY, INC. 2021

# 3250 Series 3-1/4" Thermal Fixed, Casement & Projected Windows

## Product Details - Trim - Stacking

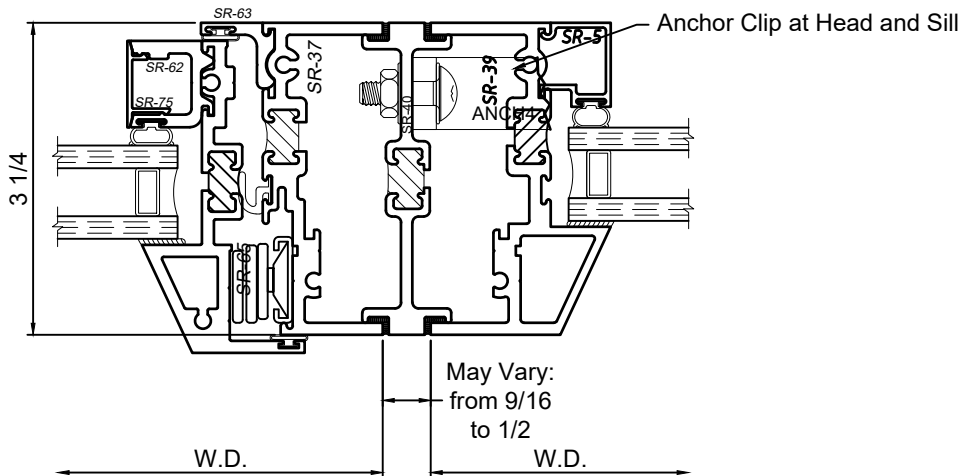


### Typical SR-40 Side Stack Framing at SR-1 / SR-10



WINCO RESERVES THE RIGHT TO MODIFY OR CHANGE INFORMATION WITHIN THIS BOOK WHEN DEEMED NECESSARY FOR PRODUCT IMPROVEMENT

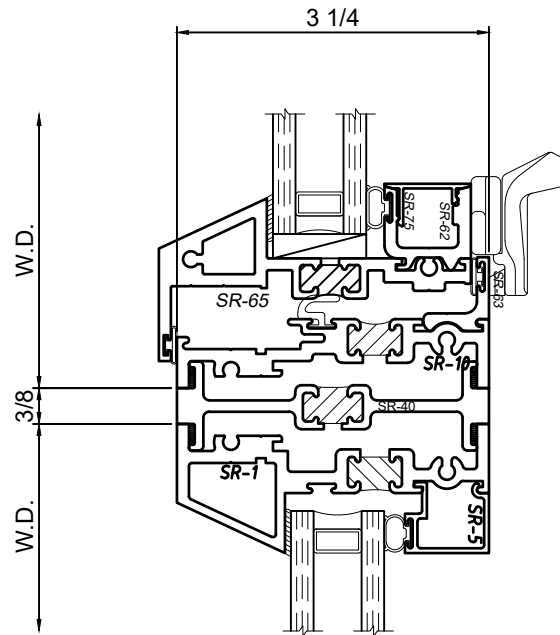
### Typical SR-40 Side Stack Framing at SR-37 / SR-39



© WINCO WINDOW COMPANY, INC. 2021

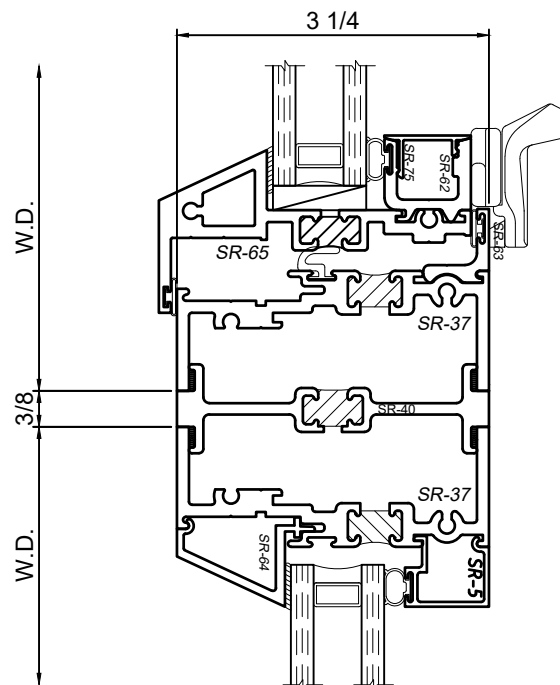
SCALE 6"=1'-0"

Typical SR-40 Horizontal Stack Framing at SR-1 / SR-10



WINCO RESERVES THE RIGHT TO MODIFY OR CHANGE INFORMATION WITHIN THIS BOOK WHEN DEEMED NECESSARY FOR PRODUCT IMPROVEMENT

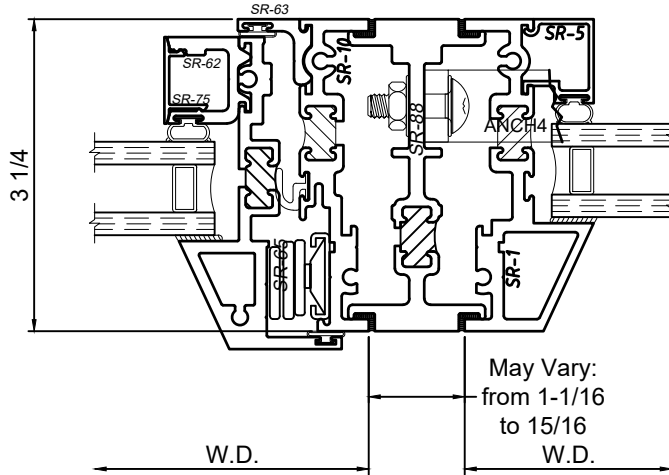
Typical SR-40 Horizontal Stack Framing at SR-37 / SR-39



© WINCO WINDOW COMPANY, INC. 2021

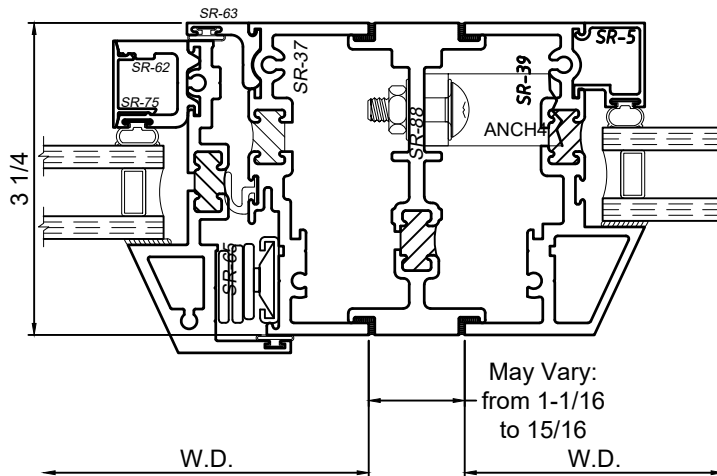
SCALE 6"=1'-0"

Heavy Duty SR-88 Side Stack Framing at SR-1 / SR-10



WINCO RESERVES THE RIGHT TO MODIFY OR CHANGE INFORMATION WITHIN THIS BOOK WHEN DEEMED NECESSARY FOR PRODUCT IMPROVEMENT

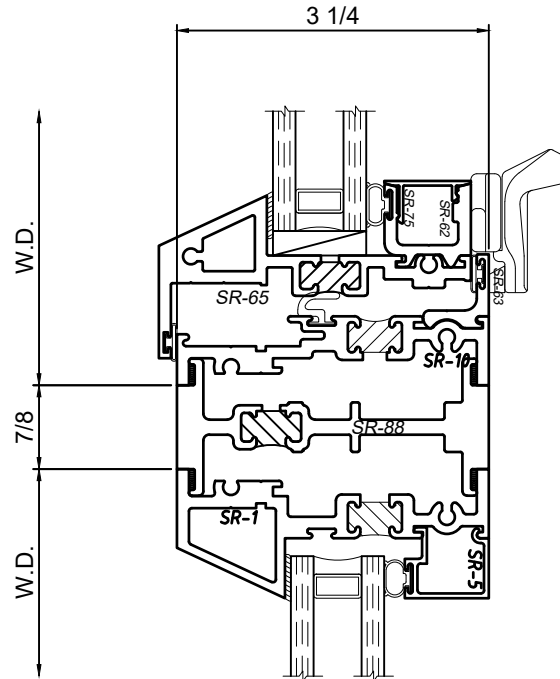
Heavy Duty SR-88 Side Stack Framing at SR-37 / SR-39



© WINCO WINDOW COMPANY, INC. 2021

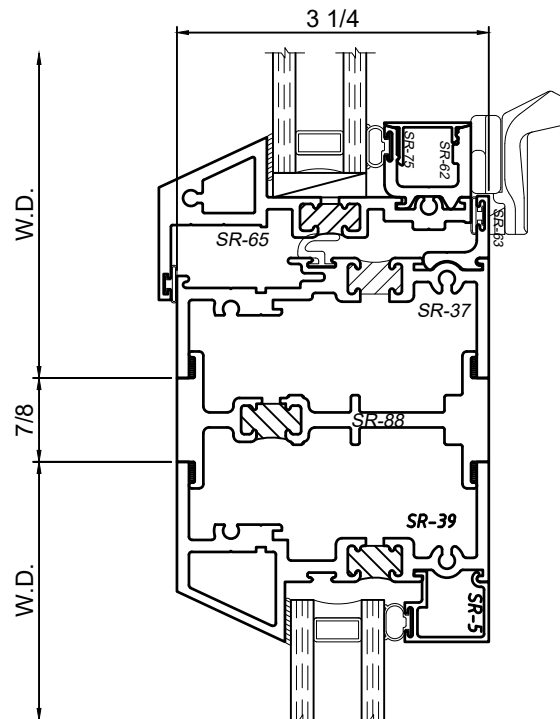
SCALE 6"=1'-0"

Heavy Duty SR-88 Horizontal Stack Framing at SR-1 / SR-10



WINCO RESERVES THE RIGHT TO MODIFY OR CHANGE INFORMATION WITHIN THIS BOOK WHEN DEEMED NECESSARY FOR PRODUCT IMPROVEMENT

Heavy Duty SR-88 Horizontal Stack Framing at SR-37 / SR-39



© WINCO WINDOW COMPANY, INC. 2021

SCALE 6"=1'-0"

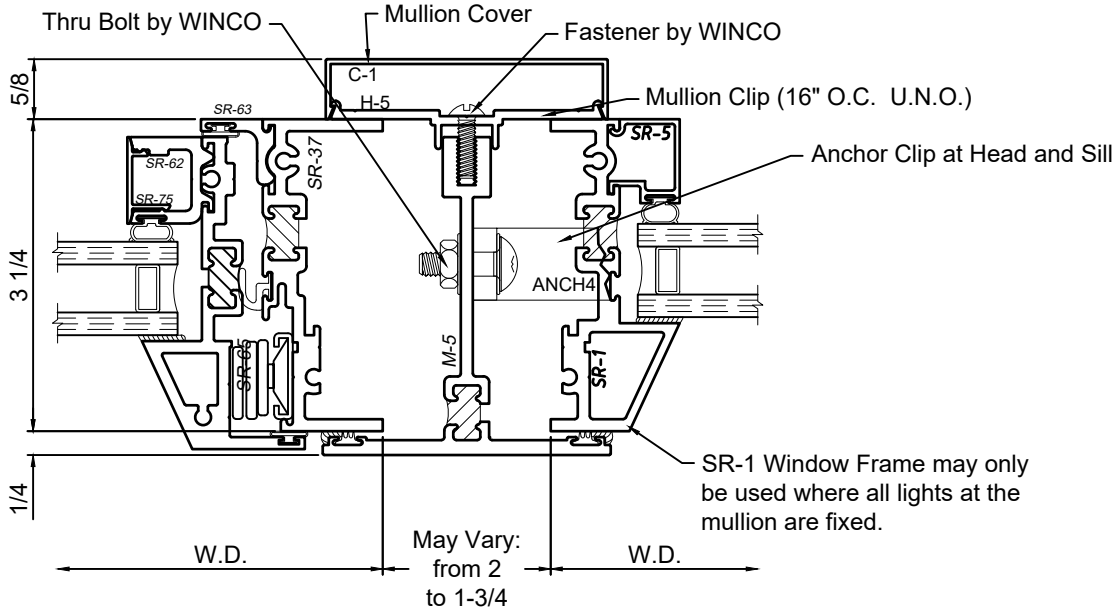


# 3250 Series 3-1/4" Thermal Fixed, Casement & Projected Windows

## Product Details - Trim - Mullion and Stacking

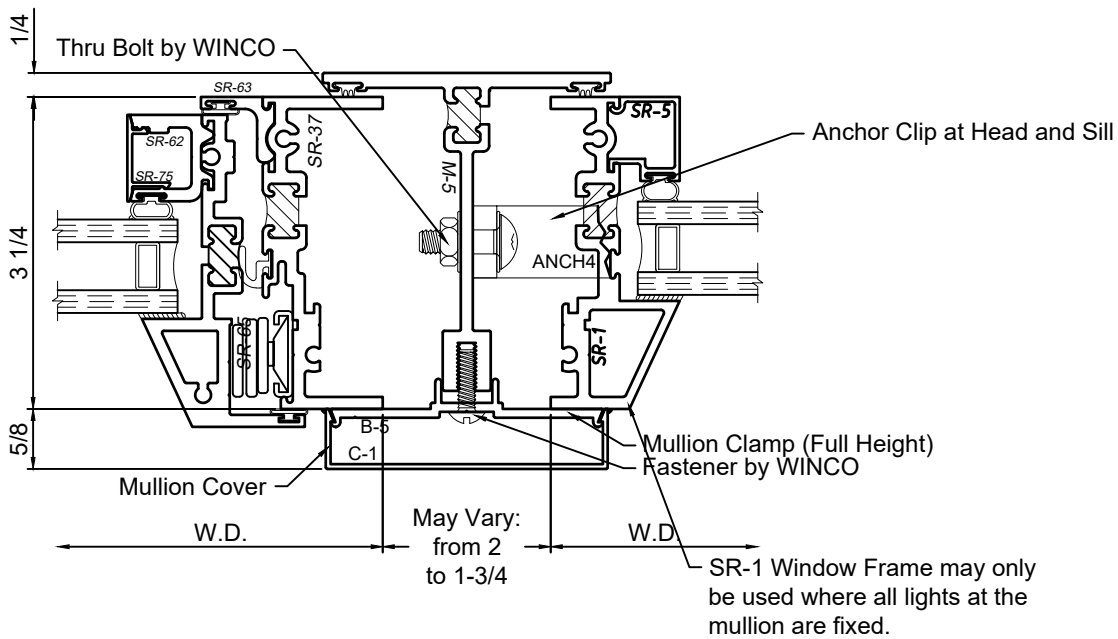


### M-5 Mullion set from Building Interior



WINCO RESERVES THE RIGHT TO MODIFY OR CHANGE INFORMATION WITHIN THIS BOOK WHEN DEEMED NECESSARY FOR PRODUCT IMPROVEMENT

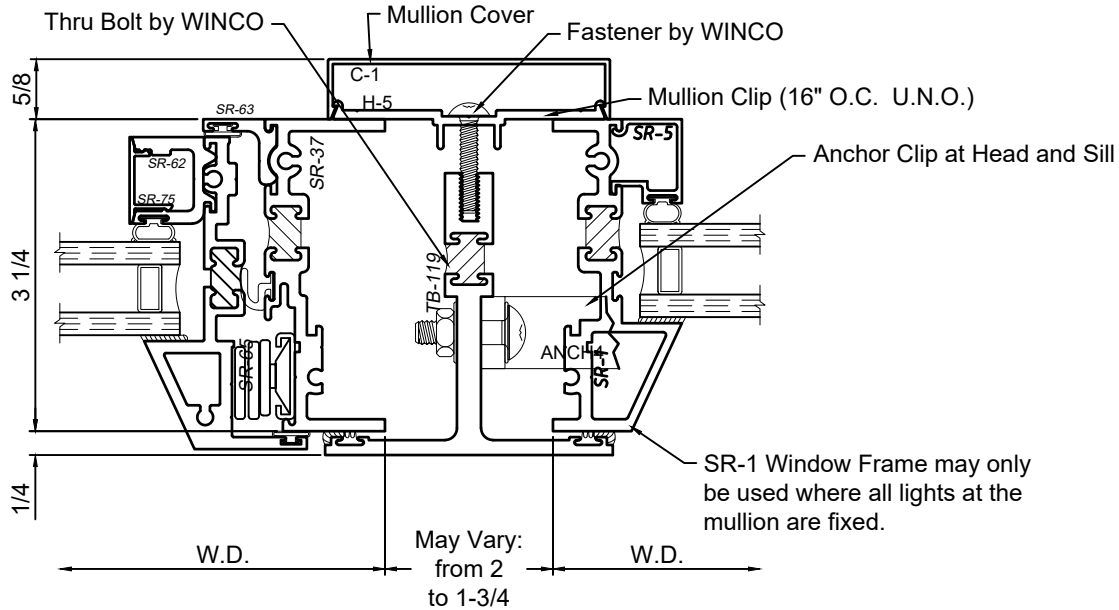
### M-5 Mullion set from Building Exterior



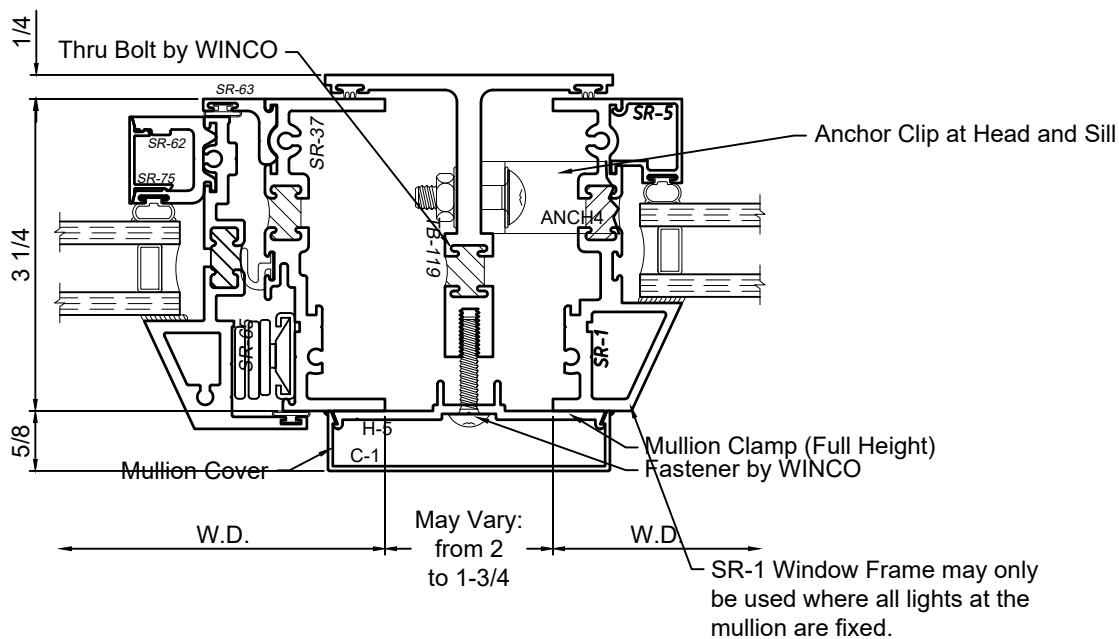
© WINCO WINDOW COMPANY, INC. 2021

SCALE 6"=1'-0"

### TB-119 Mullion set from Building Interior



### TB-119 Mullion set from Building Exterior

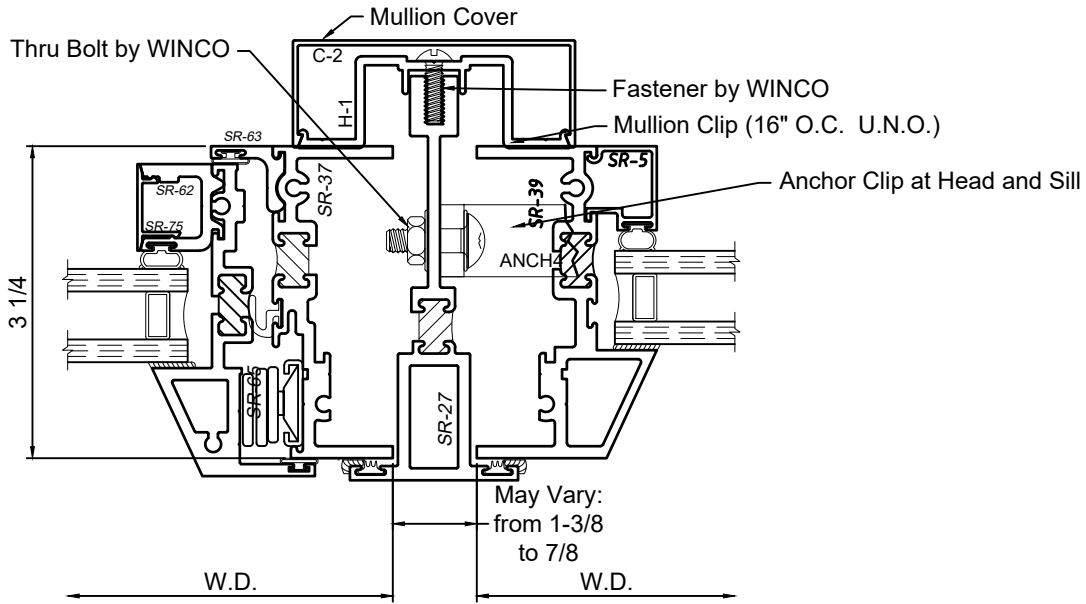


WINCO RESERVES THE RIGHT TO MODIFY OR CHANGE INFORMATION WITHIN THIS BOOK WHEN DEEMED NECESSARY FOR PRODUCT IMPROVEMENT

© WINCO WINDOW COMPANY, INC. 2021

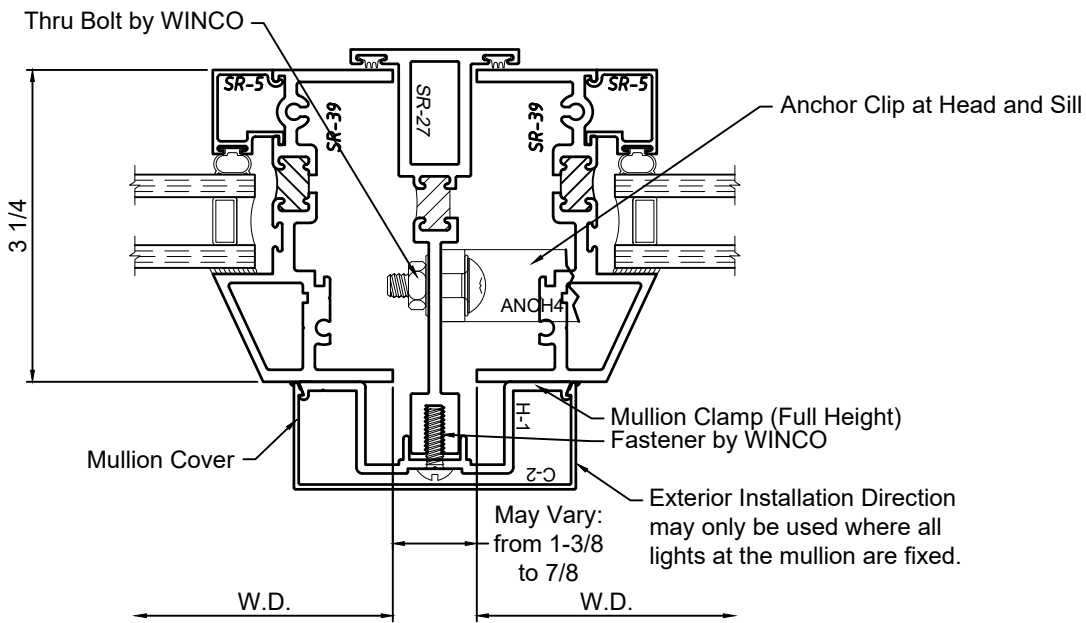
SCALE 6"=1'-0"

SR-27 Mullion set from Building Interior



WINCO RESERVES THE RIGHT TO MODIFY OR CHANGE INFORMATION WITHIN THIS BOOK WHEN DEEMED NECESSARY FOR PRODUCT IMPROVEMENT

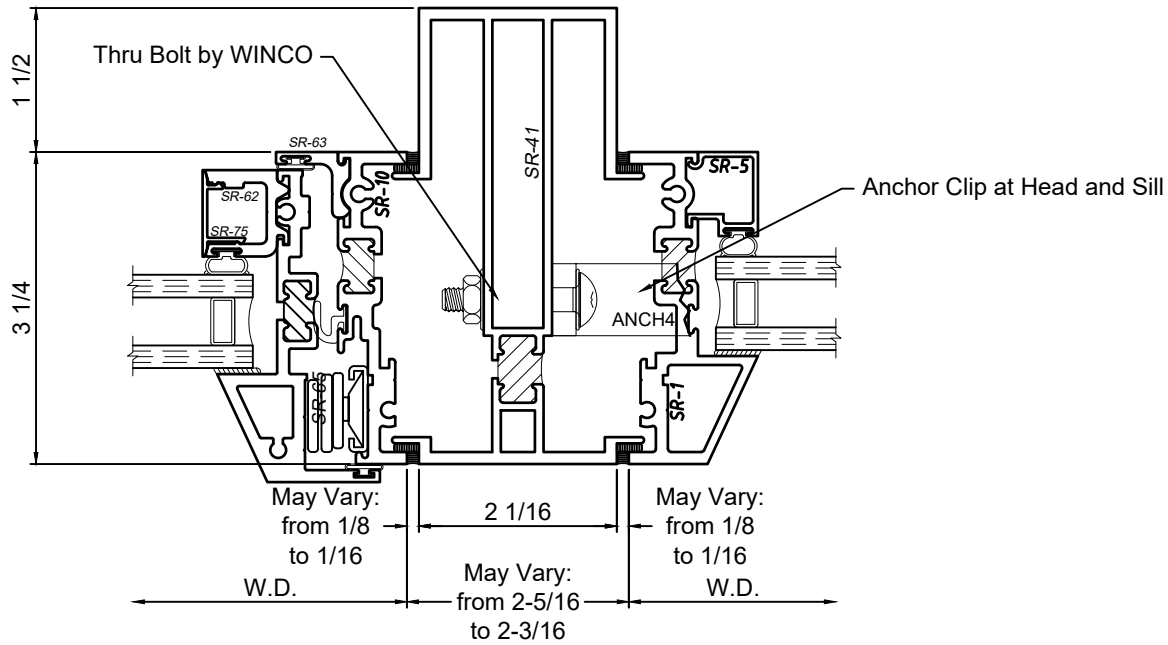
SR-27 Mullion set from Building Exterior



© WINCO WINDOW COMPANY, INC. 2021

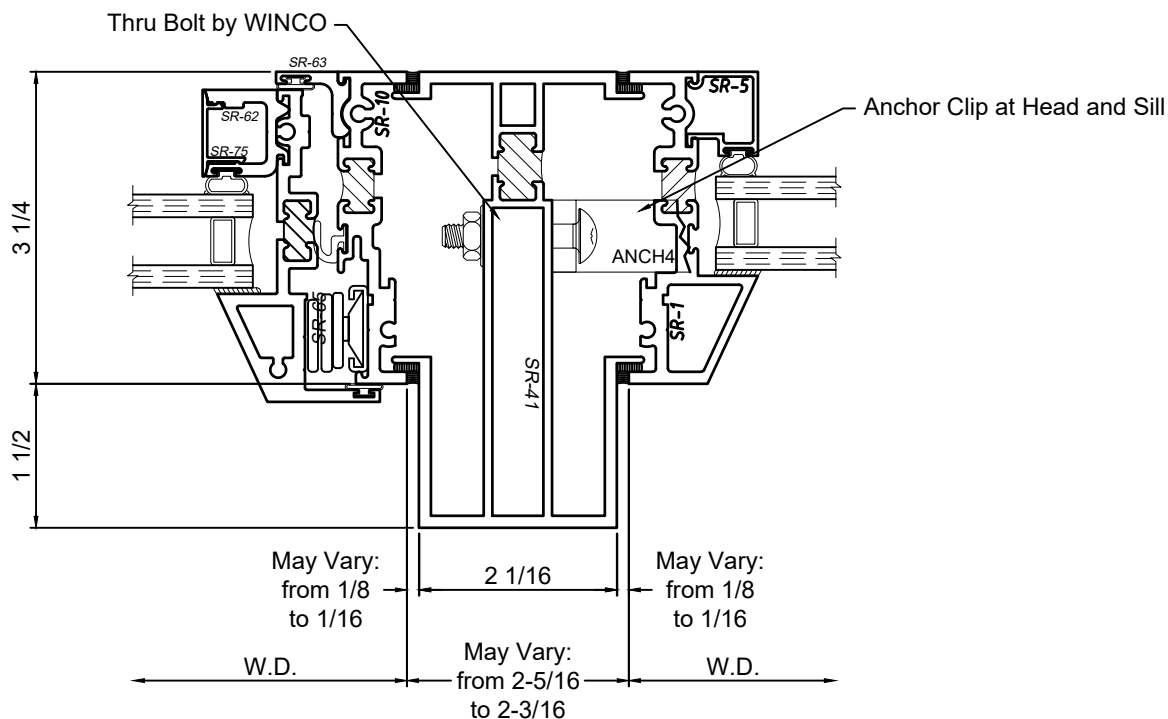
SCALE 6"=1'-0"

M-41 Mullion set from Building Interior



WINCO RESERVES THE RIGHT TO MODIFY OR CHANGE INFORMATION WITHIN THIS BOOK WHEN DEEMED NECESSARY FOR PRODUCT IMPROVEMENT

M-41 Mullion set from Building Exterior



© WINCO WINDOW COMPANY, INC. 2021

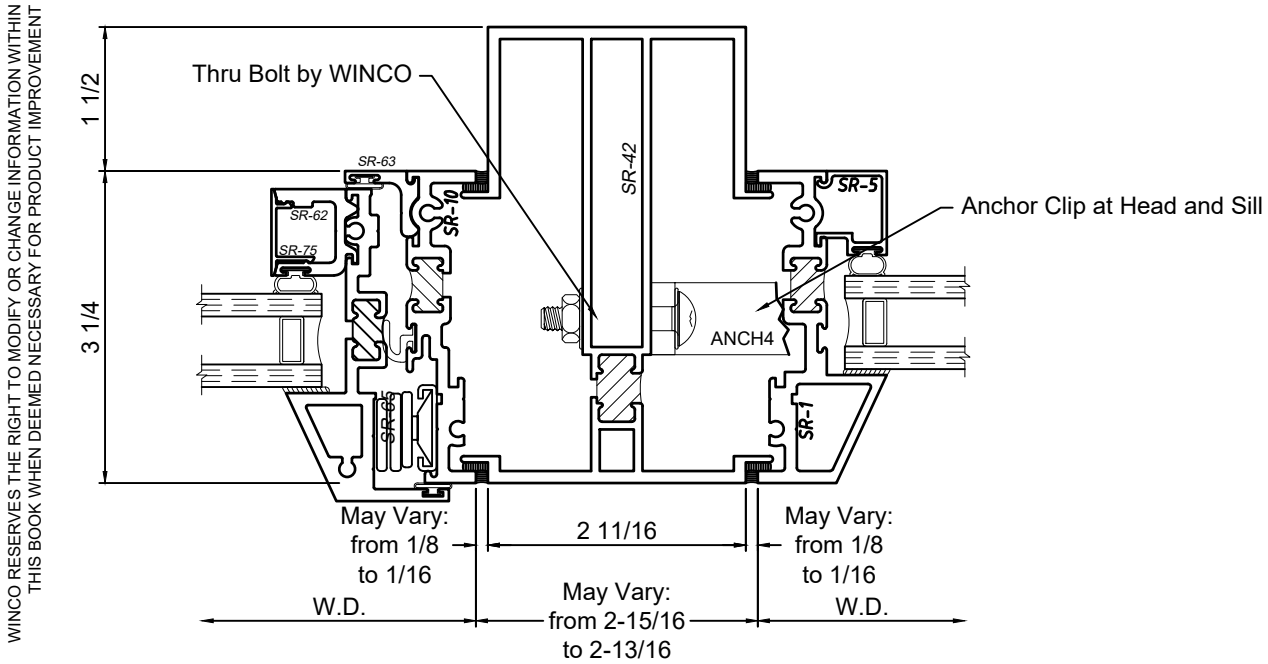
SCALE 6"=1'-0"

# 3250 Series 3-1/4" Thermal Fixed, Casement & Projected Windows

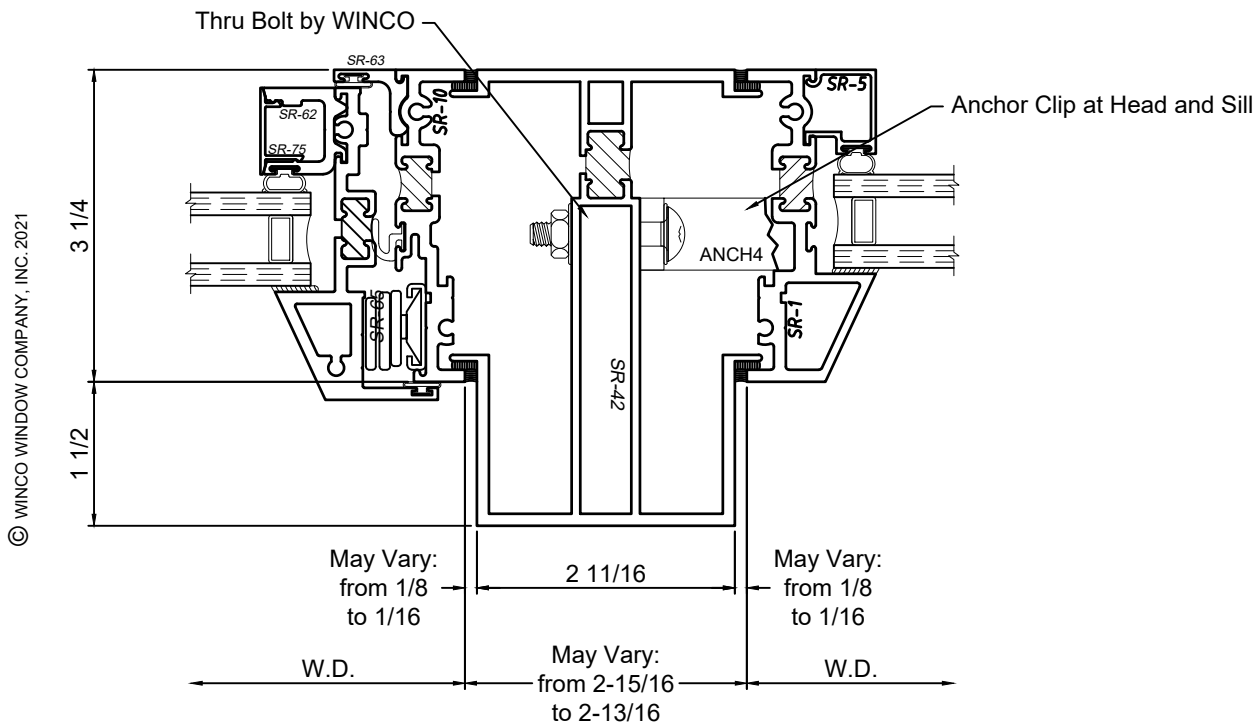
## Product Details - Trim - Mullion and Stacking



### M-42 Mullion set from Building Interior

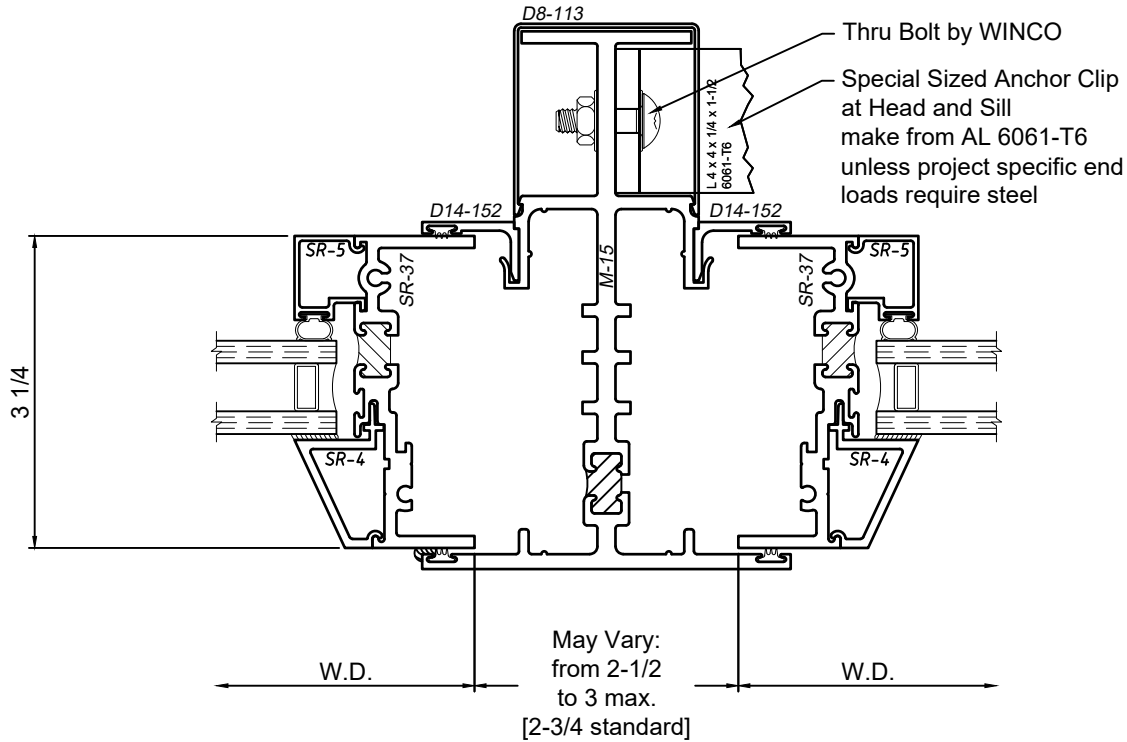


### M-42 Mullion set from Building Exterior



SCALE 6"=1'-0"

M-15 Mullion set from Building Interior



WINCO RESERVES THE RIGHT TO MODIFY OR CHANGE INFORMATION WITHIN THIS BOOK WHEN DEEMED NECESSARY FOR PRODUCT IMPROVEMENT

© WINCO WINDOW COMPANY, INC. 2021

SCALE 6"=1'-0"