



Series NC-82 Terrace Door

3-1/4" Deep Frame Depth / NC-82 Terrace Door
Single- Double Outswing/ Inswing



Product Overview

Winco's NC 82 STH Thermal Terrace door is designed to meet the most demanding specification, both aesthetically and technically. Fully tested, according to AAMA-WDMA specifications they set new standards in performance design features include rain screen principal EPDM gaskets adjustable heavy-duty hinges multipoint locking hardware, polyamide thermal barrier, and mitered corners reinforced with heavy-duty corner keys for sturdy construction and much more.

These high quality doors provide a long lasting, secure and attractive access for condominium, single or multistory commercial office buildings and hotels.

GREEN COMMITMENT

ENERGY SAVINGS

NOISE CONTROL

BLAST SHIELD

WIND PROTECTION

Features & Custom Options

- Various glazing thicknesses available
- Blast, ballistic and impact glazing available
- Available as single and double French type doors, inward and outward opening, with or without sidelights
- A wide range of AAMA certified finishes are available including numerous color combinations
- Adjustable heavy duty hinges multipoint locking hardware available
- Tubular designed aluminum profiles in combination with two continuous glass reinforced polyamide struts to significantly enhance thermal performance

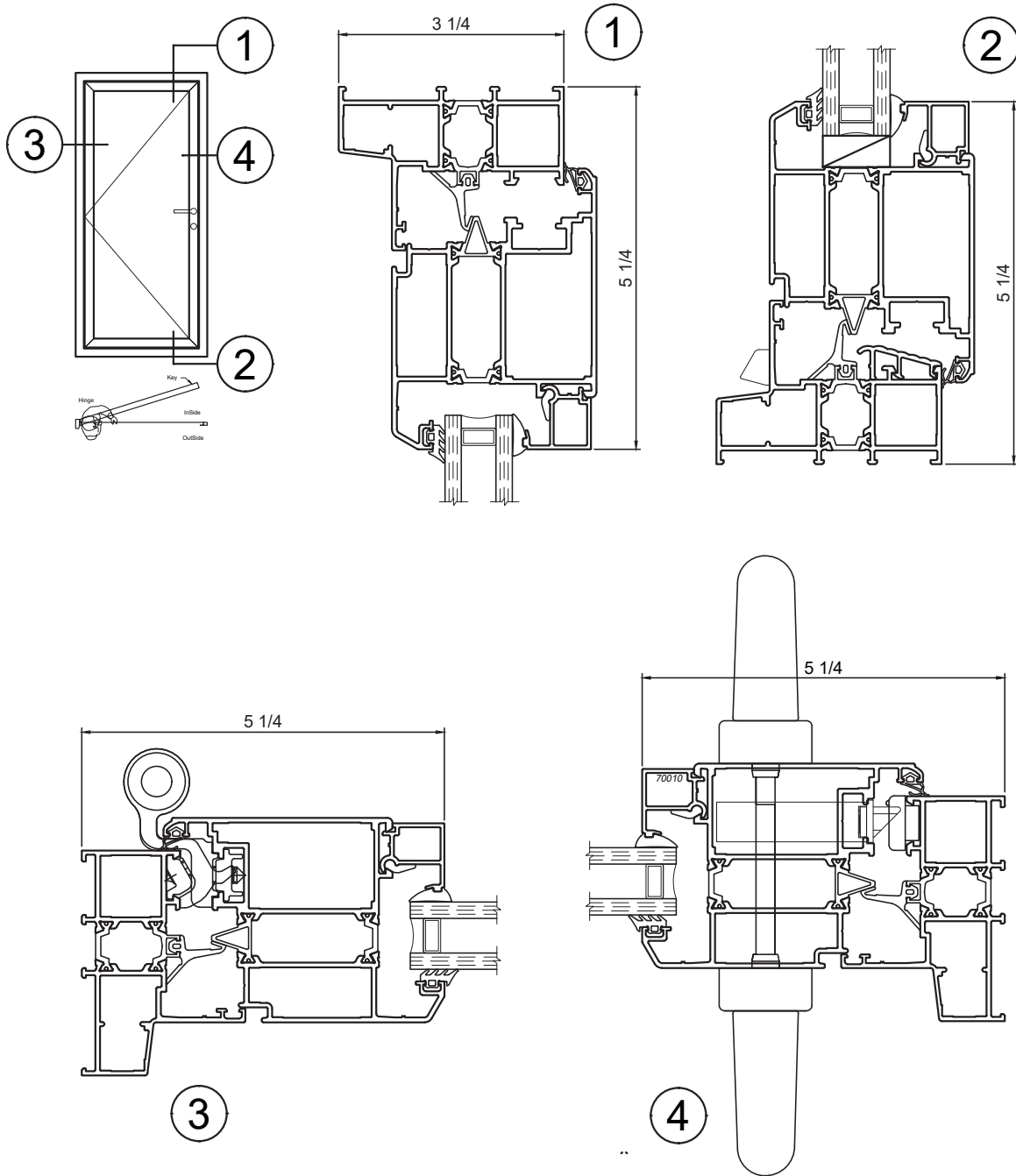
Performance Data*

Type	Air (CFM/FT ² @ 6.24 PSF)	Water (PSF)	Structural (PSF)	U-Value (Btu/Hr-Ft ² -°F)	STC
Single Door- AAMA AW-75	Less than 0.10	15 (Higher levels may be available upon request)	+/- 112.5	0.54*	Contact your local Rep
Double Door- AAMA AW-70	Less than 0.10	15 (Higher levels may be available upon request)	+/- 105	0.54*	

*U-Value, CRF, Water and AW ratings are based on a particular type of glazing and window configuration being used. They are provided for comparison purposes only. They are based on products of standard configuration, tested in accordance with NFRC/FGIA/AAMA specifications, in a laboratory environment under optimum conditions. Performance values will vary according to project specifications, installation, size, configuration, hardware, glass, etc. Any required field testing should be done in accordance with the project specifications and FGIA/AAMA field testing protocol, not this data.



Series NC-82 Detail Drawings



Winco Window Company
6200 Maple Avenue
St Louis, MO 63130

TESTING: Our products meet stringent testing requirements of both the American Architectural Manufacturers Association (AAMA) and the National Fenestration Rating Council (NFRC) standards and certification.

