



Series 4410S

4" Architectural Grade Window System
Fixed - Single Hung



Product Overview

The 4410S Series is a fixed and single hung window that has an integral sloped exterior glazing leg that gives it a historical look. No longer do you have to settle for the leaky drop-in beveled grid of the past, the extruded beveled glazing leg provides the clean appearance and weather-tight construction your project deserves.

GREEN COMMITMENT

HISTORIC REPLICATION

NOISE CONTROL

BLAST SHIELD

WIND PROTECTION

Features & Custom Options

- Azon "Azo-Brader" thermally broken frame and sash, backed by a 10 year warranty against thermal break shrinkage
- Integral extruded beveled glazing leg
- 4 sided fin seal weather-strip exterior all 4 sides
- Various glazing thicknesses
- Dual glazing with optional integral blinds providing dynamic light control
- Blast, ballistic and impact glazing available
- Accessory line of receptors, mullions, panning and trim for a customized look
- Optional aluminum extruded screens
- Accompanying fixed frame options

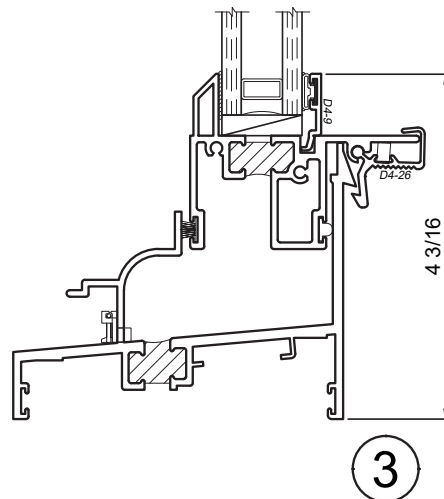
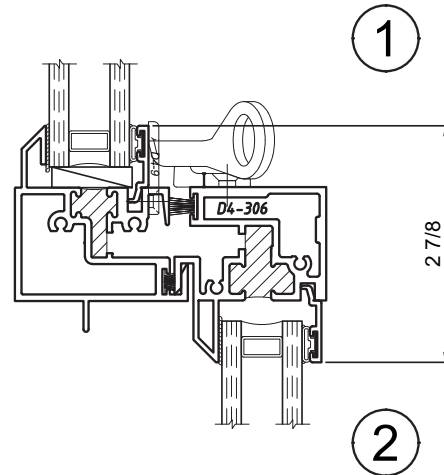
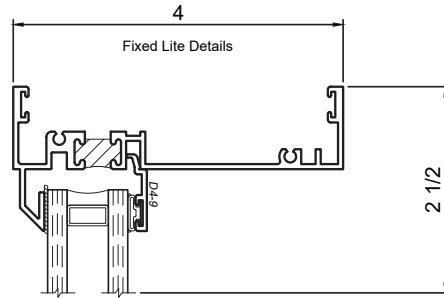
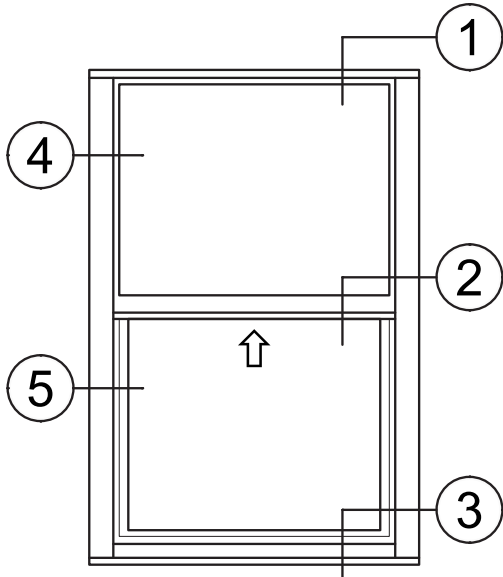
Performance Data*

Type	Air (CFM/FT2 @ 6.24 PSF)	Water (PSF)	Structural (PSF)	CRF	U-Value (Btu/Hr-Ft ² -°F)	STC
AW-PG65-Hung	Less than 0.10	12 (Higher levels may be available upon request)	+/- 97.5	52*	0.41*	Contact your local Rep

*U-Value, CRF, Water and AW ratings are based on a particular type of glazing and window configuration being used. They are provided for comparison purposes only. They are based on products of standard configuration, tested in accordance with NFRC/FGIA/AAMA specifications, in a laboratory environment under optimum conditions. Performance values will vary according to project specifications, installation, size, configuration, hardware, glass, etc. Any required field testing should be done in accordance with the project specifications and FGIA/AAMA field testing protocol, not this data.



Series 4410S Detail Drawings



Winco Window Company
6200 Maple Avenue
St Louis, MO 63130

TESTING: Our products meet stringent testing requirements of both the American Architectural Manufacturers Association (AAMA) and the National Fenestration Rating Council (NFRC) standards and certification.

VER:210422

