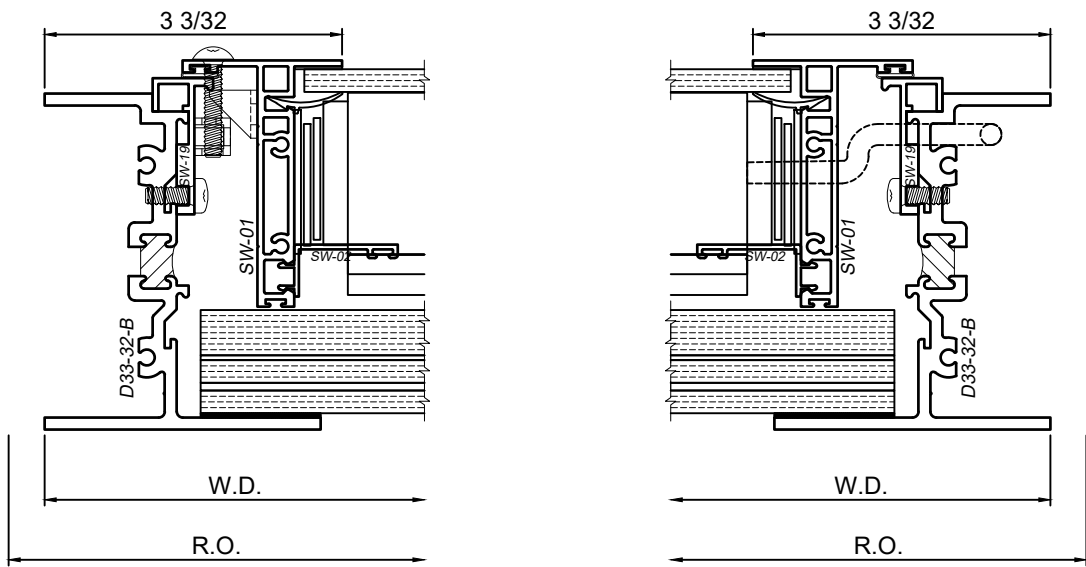
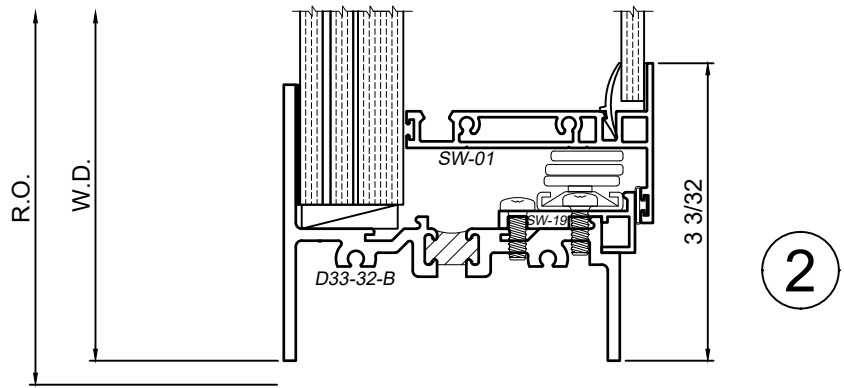
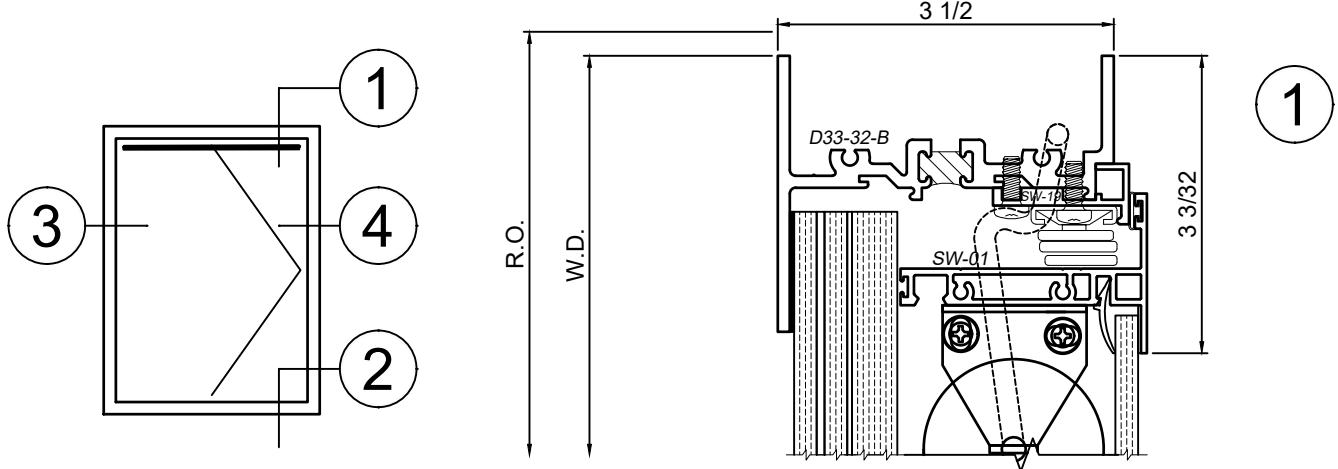


Transira™ Motorized Shade Accessory Sash in 3350 Frame Product Details - Fixed Configuration w/ BR-2 Ballistic Glazing



Note: Multiple configurations of this window system are available. Refer to the WINCO website for additional options or contact your local WINCO Sales Representative for information.



SCALE 6"=1'-0"

3

4

WINCO RESERVES THE RIGHT TO MODIFY OR CHANGE INFORMATION WITHIN THIS BOOK WHEN DEEMED NECESSARY FOR PRODUCT IMPROVEMENT

© WINCO WINDOW COMPANY, INC. 2020