

# 4500 Series 4" Thermal Fixed & Double Hung Windows

## Product Information



WINCO RESERVES THE RIGHT TO MODIFY OR CHANGE INFORMATION WITHIN THIS BOOK WHEN DEEMED NECESSARY FOR PRODUCT IMPROVEMENT

### PERFORMANCE

The Series 4500 window is a thermally broken mainframe and sash that exceeds the performance specification criteria as required by ANSI/AAMA for AW (Architectural Grade) windows.

Fixed			Double Hung		
AAMA Rating	AW-65		AAMA Rating	AW-60	
Air Infiltration	0.3 CFM/ft <sup>2</sup>		Air Infiltration	0.21 CFM/ft <sup>2</sup>	
Water	Over 12 psf		Water	Over 10 psf	
Structural	97.5 psf		Structural	90 psf	
CRF (AAMA 1503)	54		CRF (AAMA 1503)	58	
Center of Glass U-Value	Window U-Factor <sup>3</sup>		Center of Glass U-Value	Window U-Factor <sup>3</sup>	
BTU/Ft <sup>2</sup> x F° x Hr	47" x 59" <sup>2</sup>	60" x 99.5" <sup>1</sup>	BTU/Ft <sup>2</sup> x F° x Hr	47" x 59" <sup>2</sup>	60" x 99.5" <sup>1</sup>
0.20	0.34 <sup>4</sup>	0.29 <sup>4</sup>	0.20	0.50	0.42
0.24	0.37 <sup>4</sup>	0.33 <sup>4</sup>	0.24	0.53	0.45
0.29	0.41 <sup>4</sup>	0.37 <sup>4</sup>	0.29	0.56	0.48
0.34	0.45 <sup>4</sup>	0.41 <sup>4</sup>	0.34	0.58	0.52
0.47	0.55 <sup>4</sup>	0.52 <sup>4</sup>	0.47	0.66	0.61

This Information is based on current product design, sealed dual glazing, warm edge spacers and testing standards.

Please contact WINCO for project specific information

<sup>1</sup> AAMA 101 Test Size

<sup>2</sup> NFRC Gateway Test Size

<sup>3</sup> Based on NFRC 100

<sup>4</sup> Estimated performance

© WINCO WINDOW COMPANY, INC. 2020

### CONSTRUCTION

**MATERIAL** - The Series 4500 window is a 4" deep frame depth with a nominal wall thickness of 0.062 inch at the head and 0.080 inch at the jamb members. The sill extrusion has a nominal wall thickness of 0.125 inch. The operable sash member is 1-5/8 inch deep with a nominal wall thickness of 0.062 inch. All material is extruded from 6063-T6 alloy.

**THERMAL BREAK** - All framing members of the window system are thermally broken. Winco uses the Azon Azo Brader® process to mechanically condition the surface of the thermal cavity. The process runs the entire length of the extrusion and creates serrations that insure proper adhesion of the structural polymer. The structural urethane is a high density 2 part formula providing optimum thermal performance for the most demanding conditions. The combination of the conditioning of the aluminum surface along with the two part urethane allows Winco to provide a full 10 year warranty against thermal break creep and shrinkage in accordance with AAMA 505-98.

**WEATHER-STRIP** - All operating sash have a heavy fin seal wool pile weather strip on the exterior for superior water and air performance. On the interior side of the sash, a rigid vinyl weatherstripping is used for ease of operation.

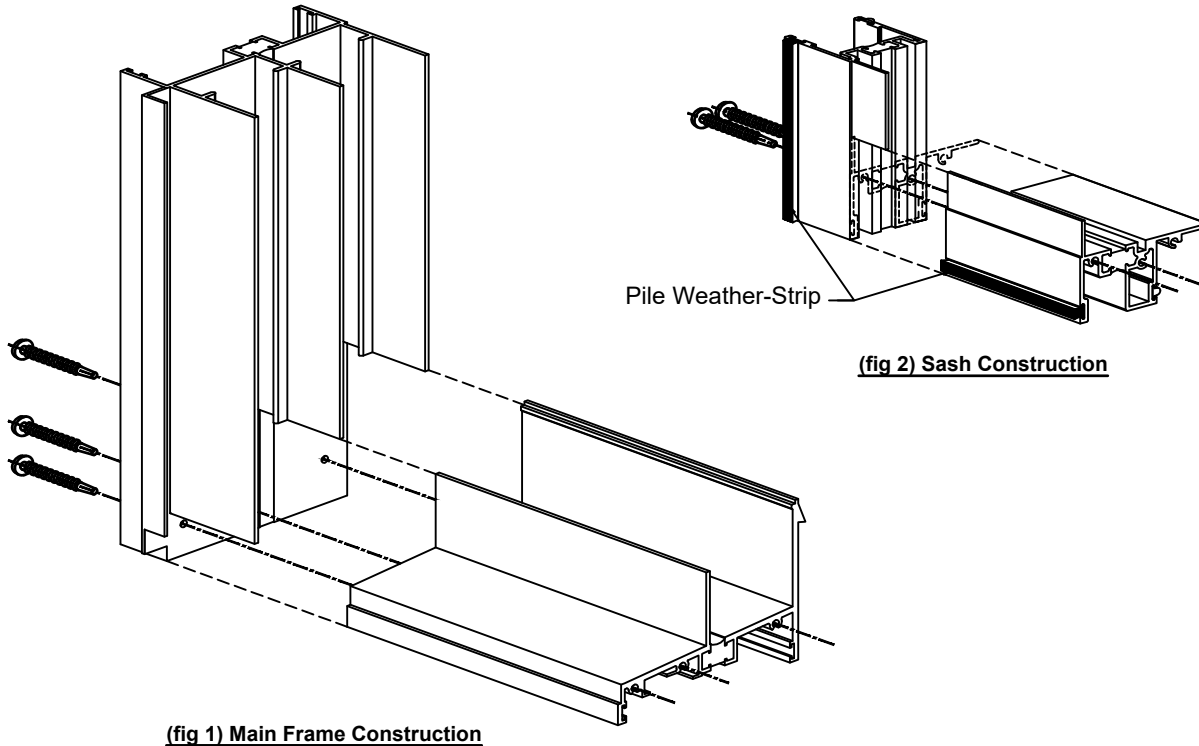
**FABRICATION** - The main frame corners are coped and mechanically joined using two stainless steel spline screws per corner (fig 1). The sash utilizes hollow tube shaped extrusions for superior strength and rigidity. The sash corners are coped and mechanically joined using two stainless steel spline screws per corner, aligning the members to form a hairline joint (fig. 2). All frame joints are back sealed with small joint sealer providing a water tight joinery.

# 4500 Series 4" Thermal Fixed & Double Hung Windows

## Product Information



WINCO RESERVES THE RIGHT TO MODIFY OR CHANGE INFORMATION WITHIN THIS BOOK WHEN DEEMED NECESSARY FOR PRODUCT IMPROVEMENT



**(fig 1) Main Frame Construction**

**(fig 2) Sash Construction**

## GLAZING

The windows can be interior or exterior glazed with .050 thick extruded aluminum glazing beads accommodating thicknesses from 1/4" up to 1". Dual glazing is an option utilizing an interior panel sash with a take out sash. Venetian blinds are available with the dual glazed window option. See the quick reference chart below for all glazing options. For actual details refer to the glazing section in the back of the 4410 section for optional glazing and blind details.

Glazing Thickness	1/8"	3/16"	1/4"	5/16"	3/8"	1/2"	9/16"	5/8"	3/4"	7/8"	1"	1-1/4"	1-3/8"	1-1/2"
Monolithic	X	X	X	X	X	X	X	-	-	-	-	-	-	-
Insulated	-	-	-	-	-	-	-	X	-	X	X	-	-	-
Dual Glazed	Exterior	-	X	X	-	-	-	-	-	-	-	-	-	-
	Interior	X	X	X	-	-	-	-	-	-	-	-	-	-
Triple Glazed	Exterior	-	-	-	-	-	-	-	-	-	-	-	-	-
	Interior	-	-	-	-	-	-	-	-	-	-	-	-	-

Winco has different gaskets and glazing methods that can accommodate odd thicknesses of glass. If you do not see what you are looking for within this chart please contact your local representative for information regarding your specific project needs.

© WINCO WINDOW COMPANY, INC. 2020

### HARDWARE

All exposed sweep lock hardware and keepers are solid white bronze alloy with US25D brushed finish. All exposed springloaded snap lock hardware is manufactured from extruded aluminum matching the window frame finish.

Window Type	Spring Lock at Jamb	Spring Lock at Head	Spring Lock at Sill	Stainless Steel Wheel w/ SS Bearing	Nylon Wheel w/ Steel Bearing	Stainless Steel Track Cover	Sweep Lock	Access Control Sweep Lock	Class 5 Sash Balance (Ultralift)	Limit Stop (non removable, Extruded)	Limit Stop (Key- Release)			
Double Hung	-	X	X	-	-	-	X	O	X	O	O			

X = Standard Hardware  
O = Optional Hardware

WINCO RESERVES THE RIGHT TO MODIFY OR CHANGE INFORMATION WITHIN THIS BOOK WHEN DEEMED NECESSARY FOR PRODUCT IMPROVEMENT

### SCREENS

**FRAME** - frames are fabricated from 6063-T6 extruded aluminum alloy and temper. All screen frames are miter cut and corner keyed. The corners are mechanically crimped together for durability. The screen frame is finished to match the window frame.

**MESH** - Standard .011 aluminum screen wire mesh is produced from 5154 alloy with 18x16 pattern in Charcoal or Aluminum color. All mesh is applied to the screen frame with a roller spline making for easy and quick replacements. Optional fiberglass or .009 stainless steel mesh is available as an option.

© WINCO WINDOW COMPANY, INC. 2020

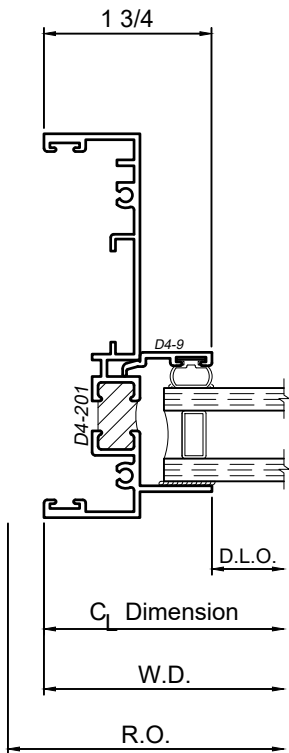
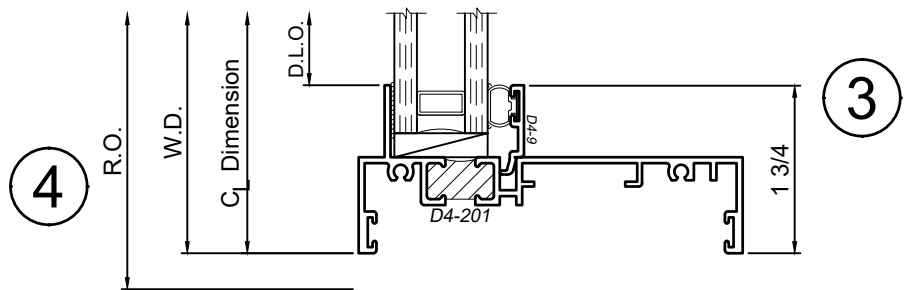
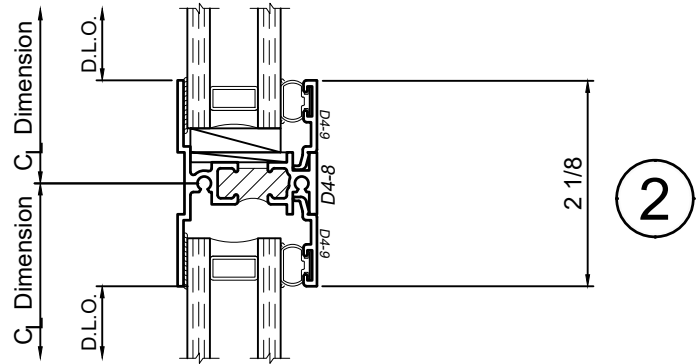
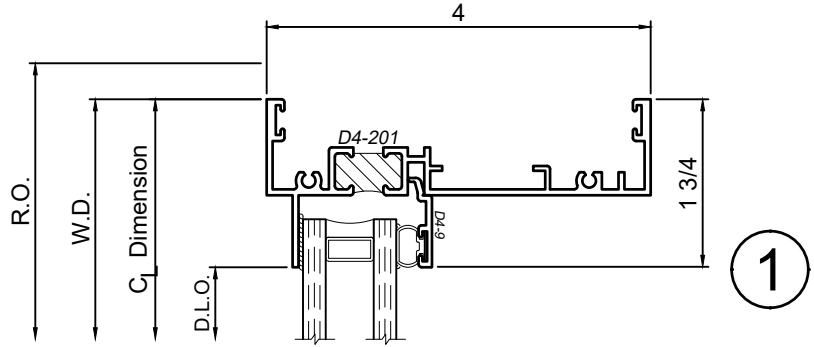
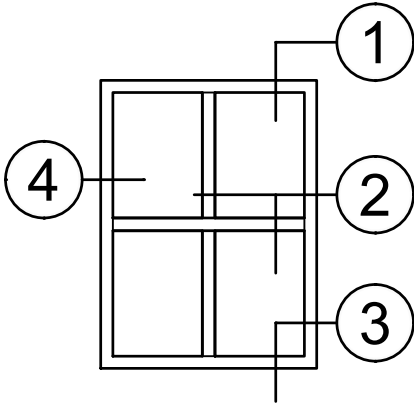
# 4500 Series 4" Thermal Fixed & Double Hung Windows

## Product Details - Fixed - Picture Window



Note: Multiple configurations of this window system are available. Refer to the WINCO website for additional options or contact your local WINCO Sales Representative for information.

WINCO RESERVES THE RIGHT TO MODIFY OR CHANGE INFORMATION WITHIN THIS BOOK WHEN DEEMED NECESSARY FOR PRODUCT IMPROVEMENT



© WINCO WINDOW COMPANY, INC. 2020

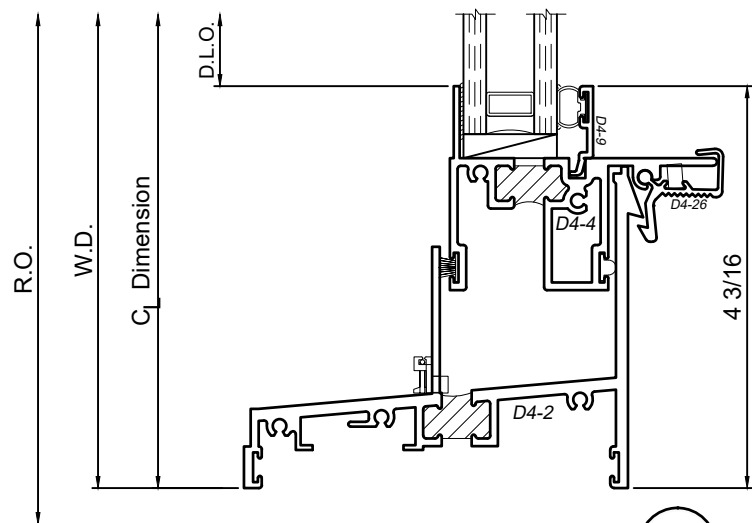
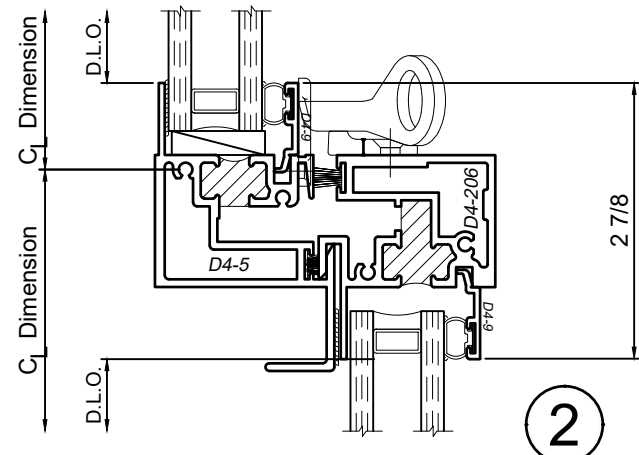
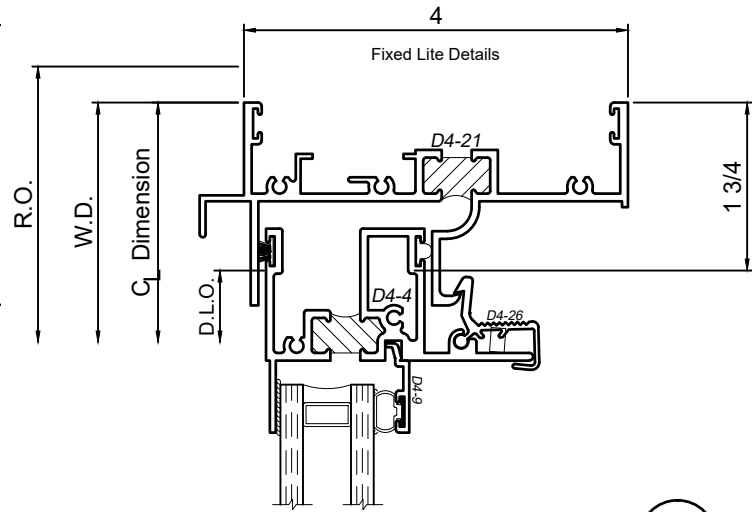
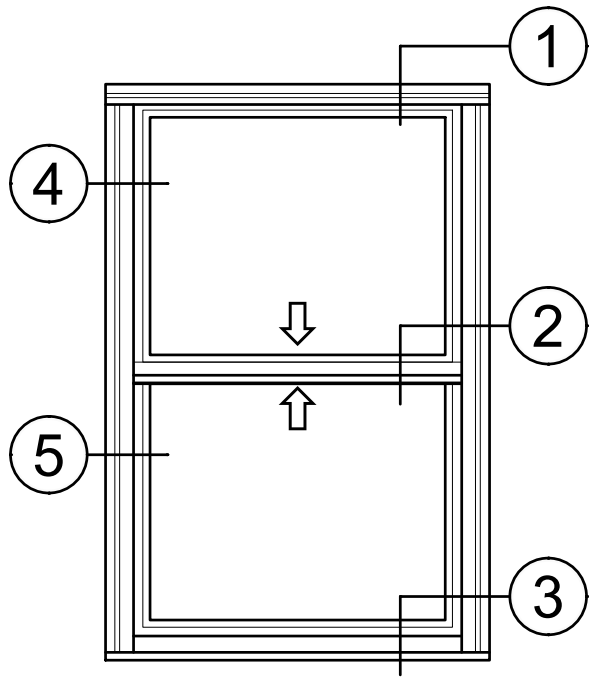
SCALE 6"=1'-0"

# 4500 Series 4" Thermal Fixed & Double Hung Windows

## Product Details - Double Hung Window Head and Sill Details



Note: Multiple configurations of this window system are available. Refer to the WINCO website for additional options or contact your local WINCO Sales Representative for information.



1

2

3

WINCO RESERVES THE RIGHT TO MODIFY OR CHANGE INFORMATION WITHIN THIS BOOK WHEN DEEMED NECESSARY FOR PRODUCT IMPROVEMENT

© WINCO WINDOW COMPANY, INC. 2020

SCALE 6"=1'-0"

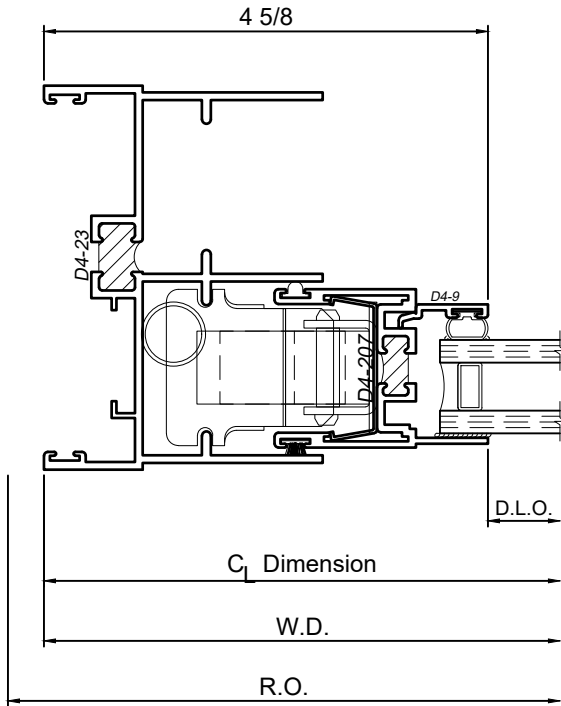
# 4500 Series 4" Thermal Fixed & Double Hung Windows

## Product Details - Double Hung Window Jamb Details

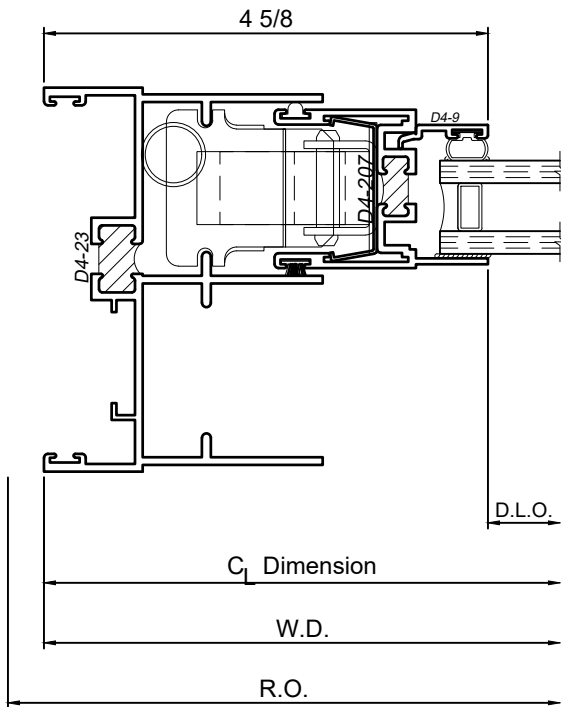


Note: Multiple configurations of this window system are available. Refer to the WINCO website for additional options or contact your local WINCO Sales Representative for information.

WINCO RESERVES THE RIGHT TO MODIFY OR CHANGE INFORMATION WITHIN THIS BOOK WHEN DEEMED NECESSARY FOR PRODUCT IMPROVEMENT



4

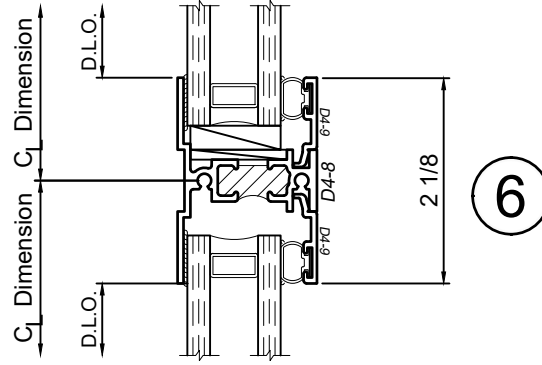
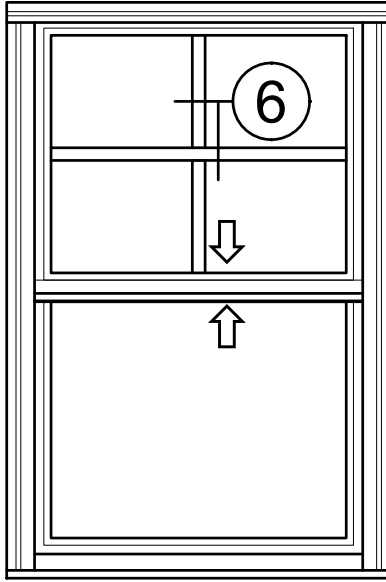


5

SCALE 6"=1'-0"

© WINCO WINDOW COMPANY, INC. 2020

# 4500 Series 4" Thermal Fixed & Double Hung Windows Product Details - Rail in Sash



WINCO RESERVES THE RIGHT TO MODIFY OR CHANGE INFORMATION WITHIN THIS BOOK WHEN DEEMED NECESSARY FOR PRODUCT IMPROVEMENT

© WINCO WINDOW COMPANY, INC. 2020

SCALE 6"=1'-0"



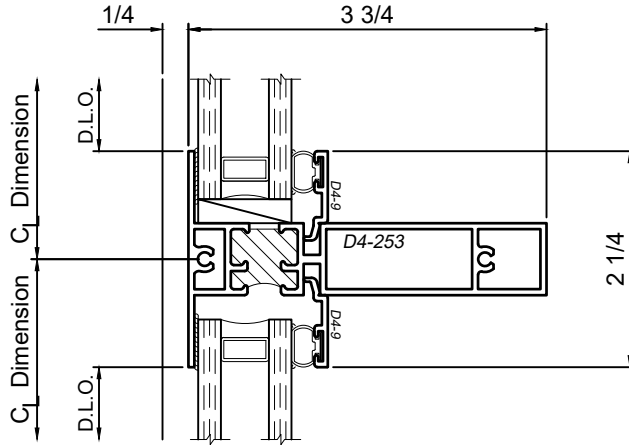
# 4500 Series 4" Thermal Fixed & Double Hung Windows

## Product Details - Rail Options

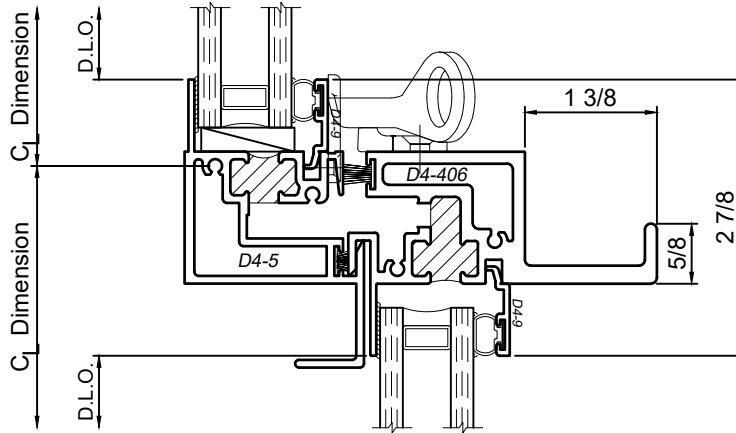


Note: Multiple configurations of this window system are available. Refer to the WINCO website for additional options or contact your local WINCO Sales Representative for information.

WINCO RESERVES THE RIGHT TO MODIFY OR CHANGE INFORMATION WITHIN THIS BOOK WHEN DEEMED NECESSARY FOR PRODUCT IMPROVEMENT



4 Inch deep Rail (Fixed Units Only)



Heavy Sash Rail for higher Wind Loads

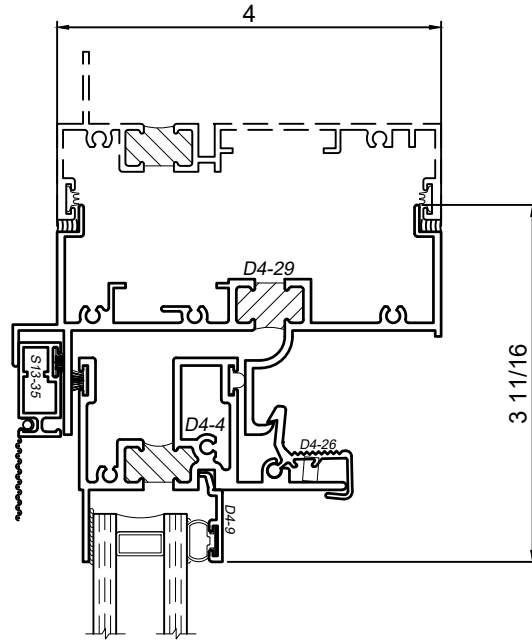
© WINCO WINDOW COMPANY, INC. 2020

SCALE 6"=1'-0"

# 4500 Series 4" Thermal Fixed & Double Hung Windows Product Details - Frame Options



Note: Multiple configurations of this window system are available. Refer to the WINCO website for additional options or contact your local WINCO Sales Representative for information.



WINCO RESERVES THE RIGHT TO MODIFY OR CHANGE INFORMATION WITHIN  
THIS BOOK WHEN DEEMED NECESSARY FOR PRODUCT IMPROVEMENT

© WINCO WINDOW COMPANY, INC. 2020

SCALE 6"=1'-0"

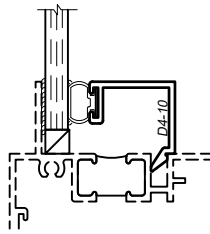
# 4500 Series 4" Thermal Fixed & Double Hung Windows

## Product Details - Glazing Options

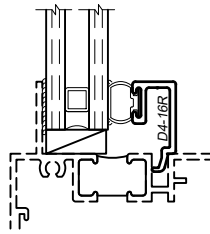


Note: Multiple configurations of this window system are available. Refer to the WINCO website for additional options or contact your local WINCO Sales Representative for information.

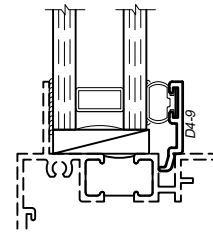
WINCO RESERVES THE RIGHT TO MODIFY OR CHANGE INFORMATION WITHIN THIS BOOK WHEN DEEMED NECESSARY FOR PRODUCT IMPROVEMENT



1/4" Glazing Bead  
D4-10



5/8" Glazing Bead  
D4-16R



1" Glazing Bead  
D4-9

Note: Odd glass thicknesses may be possible by changing the gasket or the thickness of the glazing silicone. If desired glazing is not shown please contact your local Winco Sales Representative for additional information.

© WINCO WINDOW COMPANY, INC. 2020

SCALE 6"=1'-0"

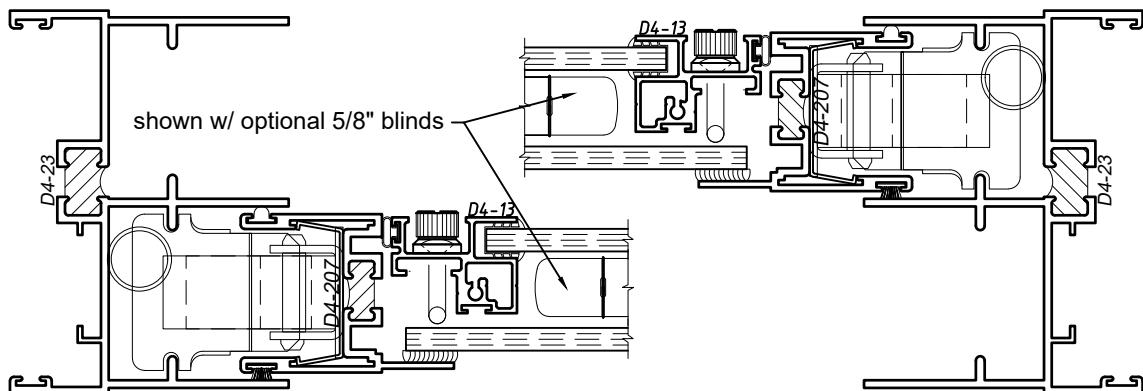
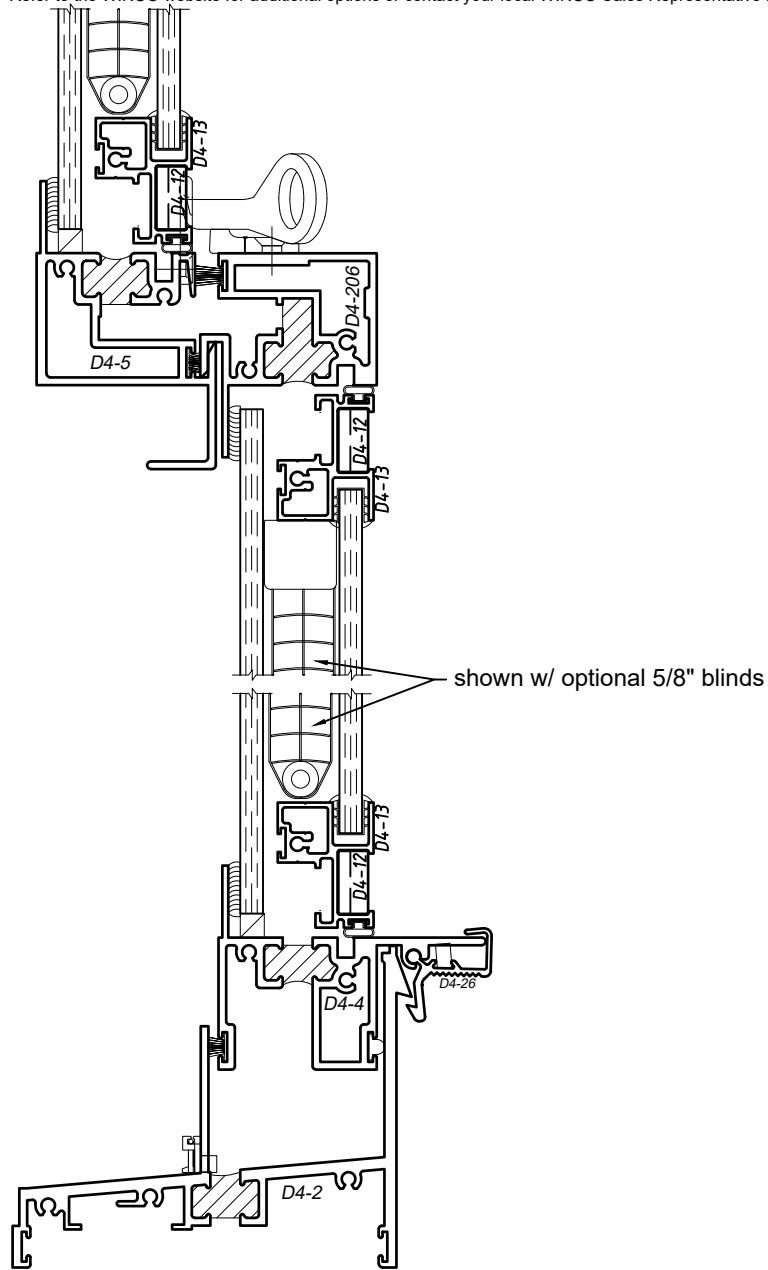
# 4500 Series 4" Thermal Fixed & Double Hung Windows

## Product Details - Dual Glazed w/ Interior Sash



Note: Multiple configurations of this window system are available. Refer to the WINCO website for additional options or contact your local WINCO Sales Representative for information.

When optional Venetian Blinds are used, the exterior glass may not exceed 5mm (3/16" nominal) thickness. Without Blinds, the maximum exterior glass thickness is 6mm (1/4" nominal).



WINCO RESERVES THE RIGHT TO MODIFY OR CHANGE INFORMATION WITHIN THIS BOOK WHEN DEEMED NECESSARY FOR PRODUCT IMPROVEMENT

© WINCO WINDOW COMPANY, INC. 2020

SCALE 6"=1'-0"

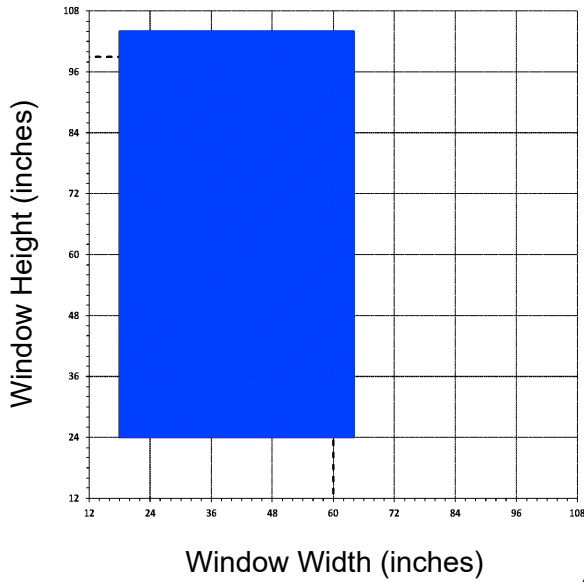
Dual Glazed w/ Take Out Sash - 15 Option

# 4500 Series 4" Thermal Fixed & Double Hung Windows Projected Vent Size Capabilities Charts



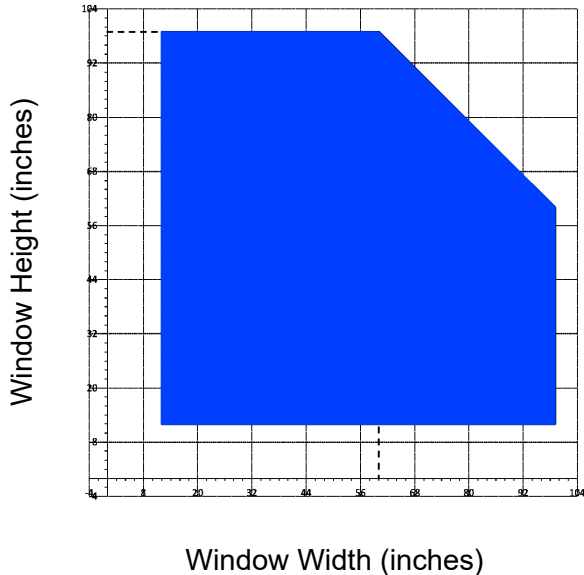
WINCO RESERVES THE RIGHT TO MODIFY OR CHANGE INFORMATION WITHIN THIS BOOK WHEN DEEMED NECESSARY FOR PRODUCT IMPROVEMENT

## Double Hung



----- AAMA Gateway Size

## Fixed



- Dashed line represents the gateway size window as tested by AAMA.
- All vent sizes are based upon 1" Insulated glass consisting of 1/4" glass - 1/2" air - 1/4" glass.
- Any vent size outside of the AAMA Gateway tested size may have reduced performance.
- Chart assumes the window has been installed in a properly prepared opening by a qualified installer.
- Individual job criteria such as: other glazing materials, specified wind load, and specific operating hardware; may enhance or restrict the chart.
- Minimum vent size is 14" x 14" with standard water leg sill.
- The chart is a general guideline for projected vent sizing, anything on the edge or outside of the range will need to be reviewed by Winco Engineering.

© WINCO WINDOW COMPANY, INC. 2020

# 4500 Series 4" Thermal Fixed & Double Hung Windows

## Product Details - Vertical Stack - D4-201 / D4-229

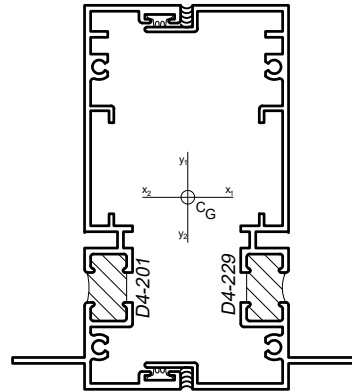


Note: Multiple configurations of this window system are available. Refer to the WINCO website for additional options or contact your local WINCO Sales Representative for information.

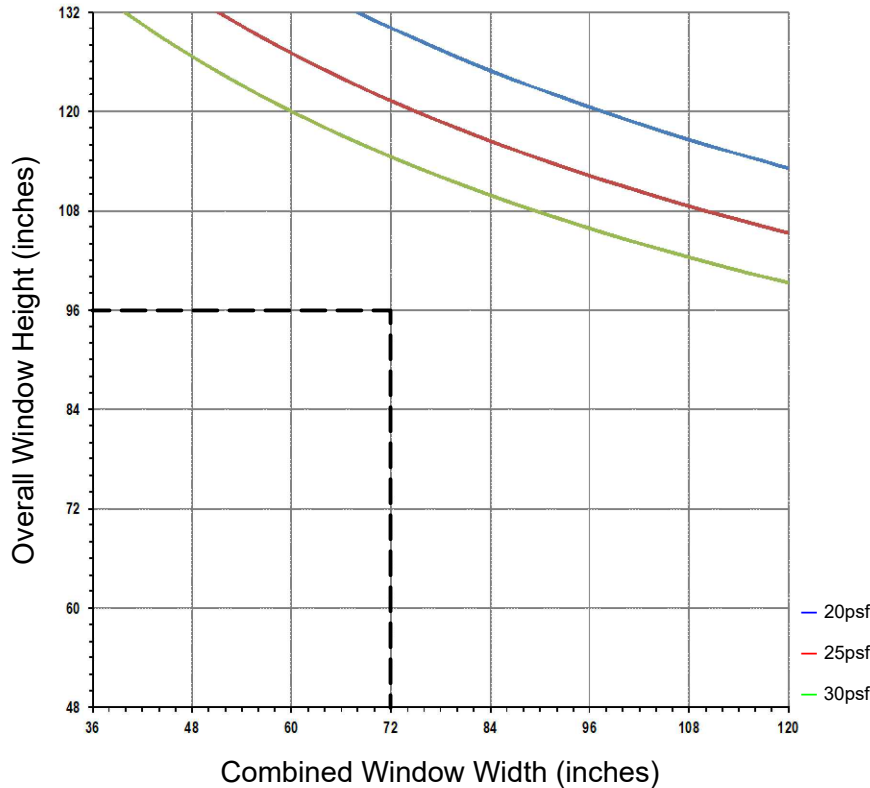
Combined Properties

	X-X	Y-Y
I	2.7013in <sup>4</sup>	0.1837in <sup>4</sup>
S	1.2365in <sup>3</sup>	0.1648in <sup>3</sup>

Maximum area = 40 ft<sup>2</sup>  
 Maximum Total Unit Weight  
 must not exceed 500 lbs.



Wind Load Chart



This chart can be used as a guideline for the preliminary structural evaluation of the mullion/stack shown. The chart is based on conservative engineering practices and the minimum result from either L/175 Deflection, 3/4" deflection, or 15 ksi outer fiber stress. The chart reflects the structural strength of 2 continuous window jambs running the full height of the opening. WINCO highly recommends consulting an engineer for any of the following circumstances:

- The window under consideration falls close too or on the design pressure line.
- Any rail exceeds 48" with a large (>16ft<sup>2</sup>) light of glass above.
- Any vent width exceeds 60".
- Window exceeds the maximum size shown.
- Window has multiple rails (>3).

WINCO RESERVES THE RIGHT TO MODIFY OR CHANGE INFORMATION WITHIN THIS BOOK WHEN DEEMED NECESSARY FOR PRODUCT IMPROVEMENT

© WINCO WINDOW COMPANY, INC. 2020

# 4500 Series 4" Thermal Fixed & Double Hung Windows

## Product Details - Vertical Stack - D4-201 / D4-123 w/ AP-5



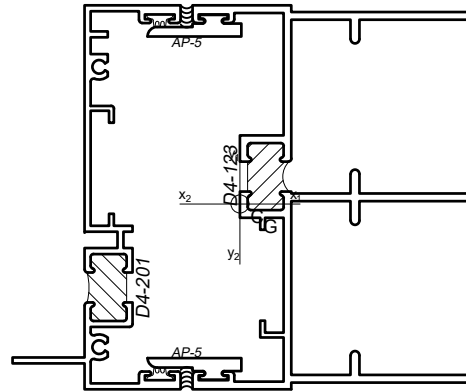
Note: Multiple configurations of this window system are available. Refer to the WINCO website for additional options or contact your local WINCO Sales Representative for information.

WINCO RESERVES THE RIGHT TO MODIFY OR CHANGE INFORMATION WITHIN THIS BOOK WHEN DEEMED NECESSARY FOR PRODUCT IMPROVEMENT

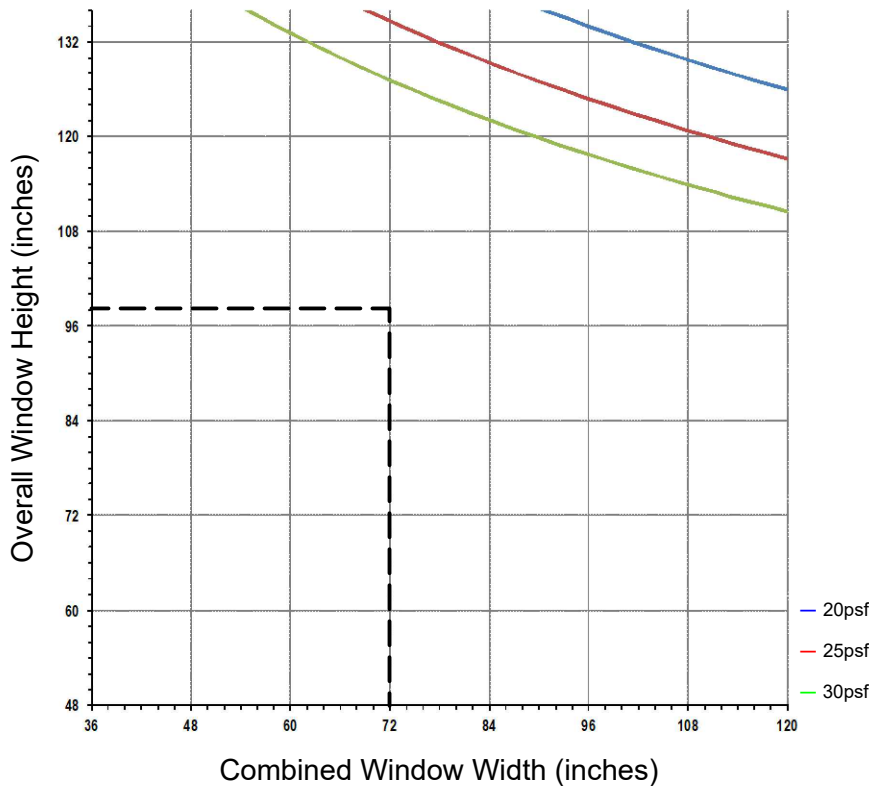
### Combined Properties

	X-X	Y-Y
I	3.7664 in <sup>4</sup>	0.6644 in <sup>4</sup>
S	1.8225 in <sup>3</sup>	0.4397 in <sup>3</sup>

Maximum area = 40 ft<sup>2</sup>  
 Maximum Total Unit Weight  
 must not exceed 500 lbs.



### Wind Load Chart



This chart can be used as a guideline for the preliminary structural evaluation of the mullion/stack shown. The chart is based on conservative engineering practices and the minimum result from either L/175 Deflection, 3/4" deflection, or 15 ksi outer fiber stress. The chart reflects the structural strength of 2 continuous window jambs running the full height of the opening. WINCO highly recommends consulting an engineer for any of the following circumstances:

- The window under consideration falls close too or on the design pressure line.
- Any rail exceeds 48" with a large (>16ft<sup>2</sup>) light of glass above.
- Any vent width exceeds 60".
- Window exceeds the maximum size shown.
- Window has multiple rails (>3).

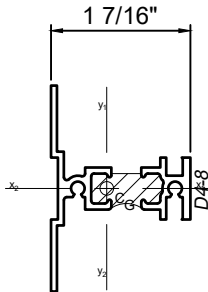
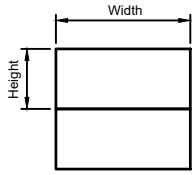
© WINCO WINDOW COMPANY, INC. 2020

# 4500 Series 4" Thermal Fixed & Double Hung Windows

## Product Details - D4-8 Rail

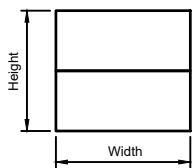


Note: Multiple configurations of this window system are available. Refer to the WINCO website for additional options or contact your local WINCO Sales Representative for information.

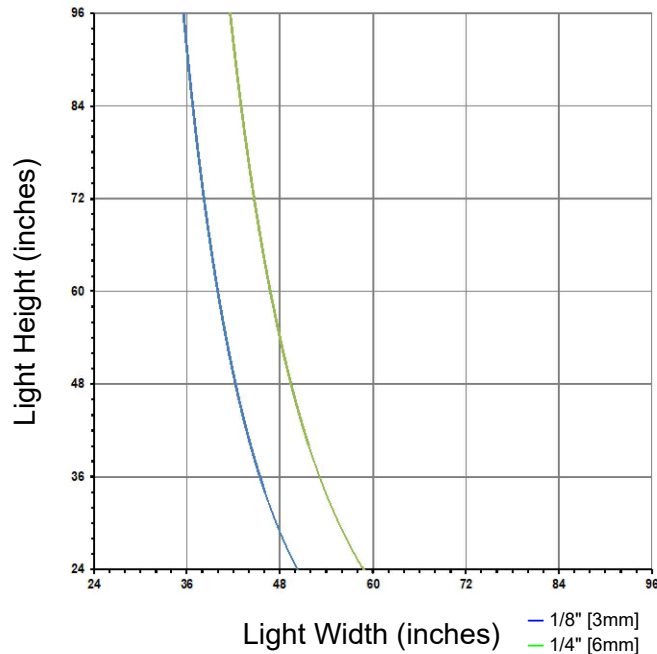


Section Properties

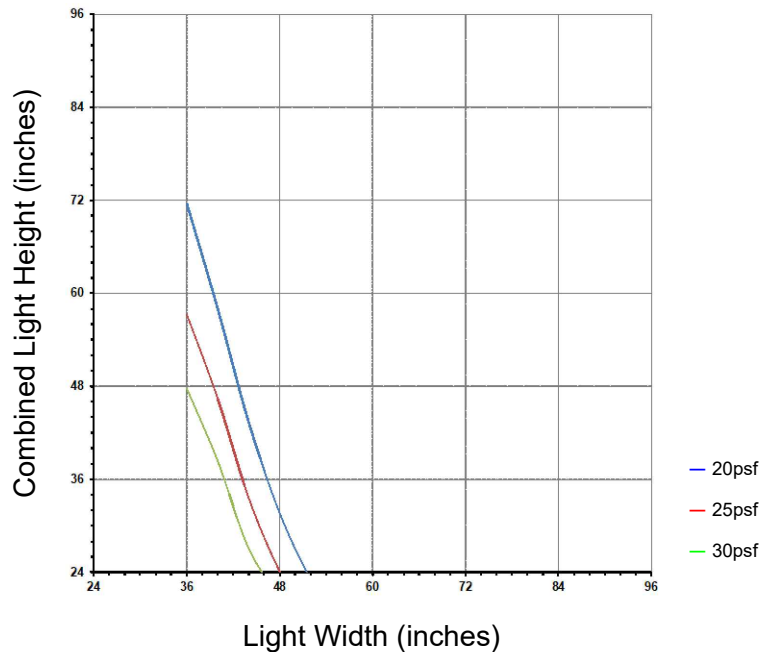
	X-X	Y-Y
I	0.0578 in <sup>4</sup>	0.1084 in <sup>4</sup>
S	0.0537 in <sup>3</sup>	0.1245 in <sup>3</sup>



### Glass Dead Load Chart



### Wind Load Chart



This chart can be used as a guideline for the preliminary structural evaluation of the Rail shown. The Dead Load chart is based on 1/4" - 1/2" - 1/4" I.G. and 0.090" deflection at 1/4 and 1/8 point blocking. The Wind Load Chart is based upon the minimum result from either L/175 deflection, 3/4" deflection, or 15 ksi outer fiber stress. The charts reflect the structural strength of only the Rail. WINCO highly recommends consulting an engineer for any of the following circumstances:

- The window under consideration falls close too or on the design pressure line.
- Any rail exceeds 48" with a large (>16ft<sup>2</sup>) light of glass above.
- I.G. make-up varies from the default.
- I.G. has additional blocking.

WINCO RESERVES THE RIGHT TO MODIFY OR CHANGE INFORMATION WITHIN THIS BOOK WHEN DEEMED NECESSARY FOR PRODUCT IMPROVEMENT

© WINCO WINDOW COMPANY, INC. 2020



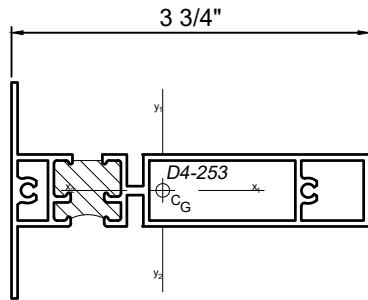
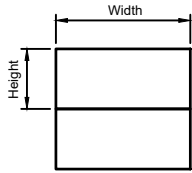
# 4500 Series 4" Thermal Fixed & Double Hung Windows

## Product Details - D4-253 Rail



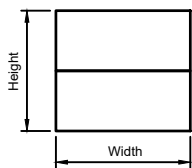
Note: Multiple configurations of this window system are available. Refer to the WINCO website for additional options or contact your local WINCO Sales Representative for information.

WINCO RESERVES THE RIGHT TO MODIFY OR CHANGE INFORMATION WITHIN THIS BOOK WHEN DEEMED NECESSARY FOR PRODUCT IMPROVEMENT

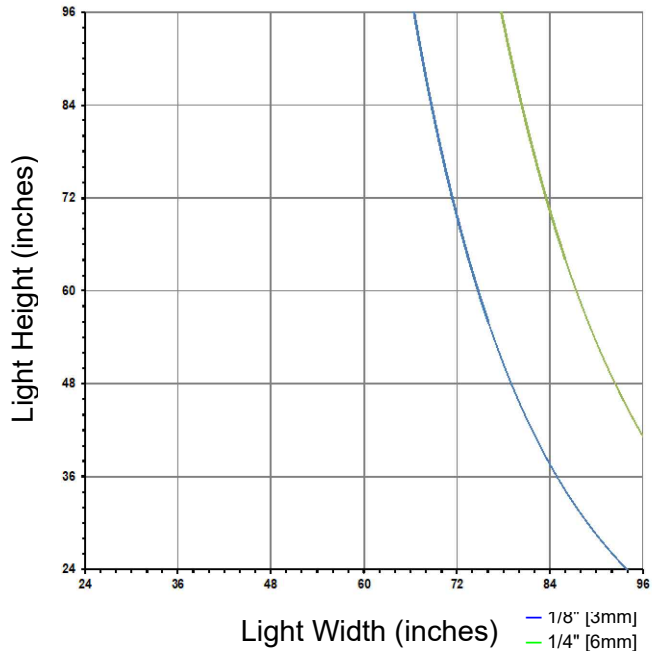


Section Properties

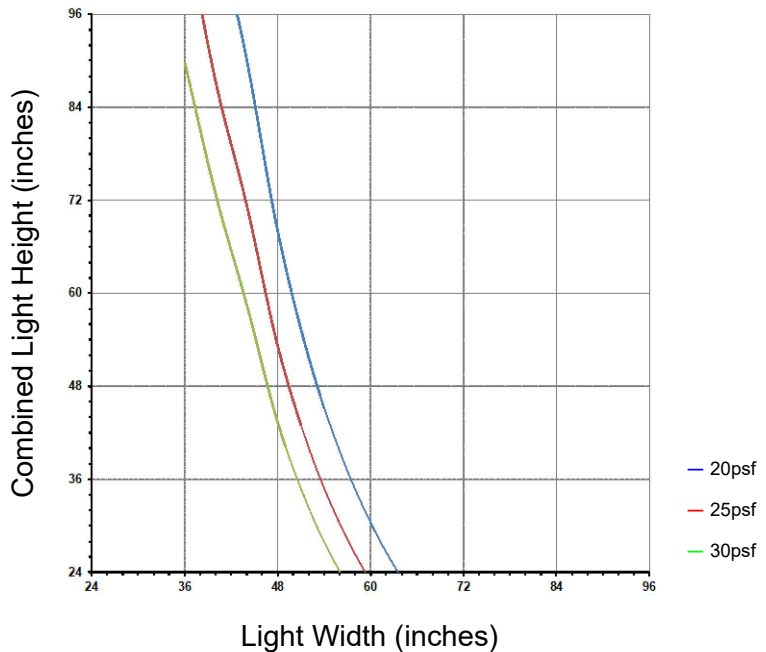
	X-X	Y-Y
I	0.1137 in <sup>4</sup>	1.3224 in <sup>4</sup>
S	0.1010 in <sup>3</sup>	0.6137 in <sup>3</sup>



### Glass Dead Load Chart



### Wind Load Chart



This chart can be used as a guideline for the preliminary structural evaluation of the Rail shown. The Dead Load chart is based on 1/4" - 1/2" - 1/4" I.G. and 0.090" deflection at 1/4 and 1/8 point blocking. The Wind Load Chart is based upon the minimum result from either L/175 deflection, 3/4" deflection, or 15 ksi outer fiber stress. The charts reflect the structural strength of only the Rail. WINCO highly recommends consulting an engineer for any of the following circumstances:

- The window under consideration falls close too or on the design pressure line.
- Any rail exceeds 48" with a large (>16ft<sup>2</sup>) light of glass above.
- I.G. make-up varies from the default.
- I.G. has additional blocking.

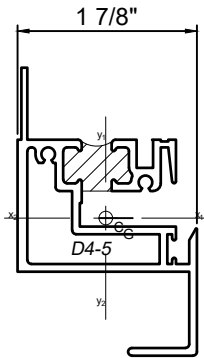
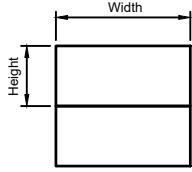
© WINCO WINDOW COMPANY, INC. 2020

# 4500 Series 4" Thermal Fixed & Double Hung Windows

## Product Details - D4-5 Rail

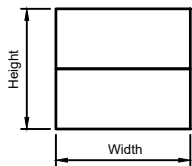


Note: Multiple configurations of this window system are available. Refer to the WINCO website for additional options or contact your local WINCO Sales Representative for information.

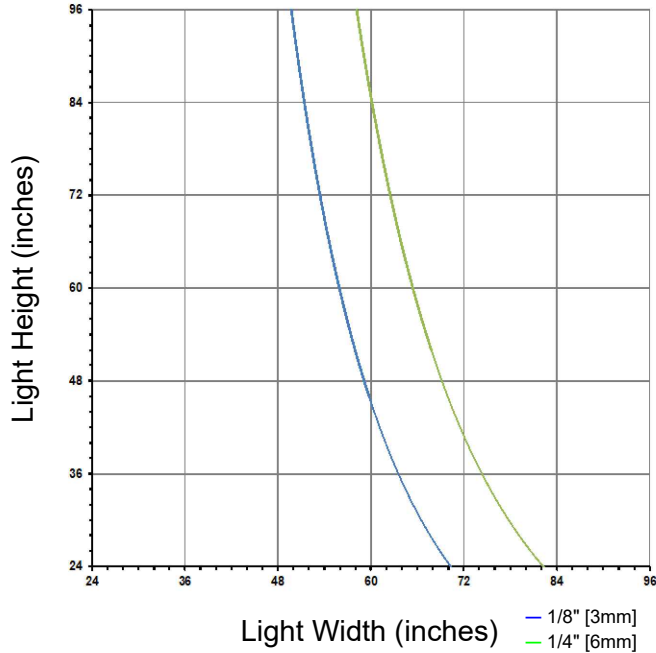


Section Properties

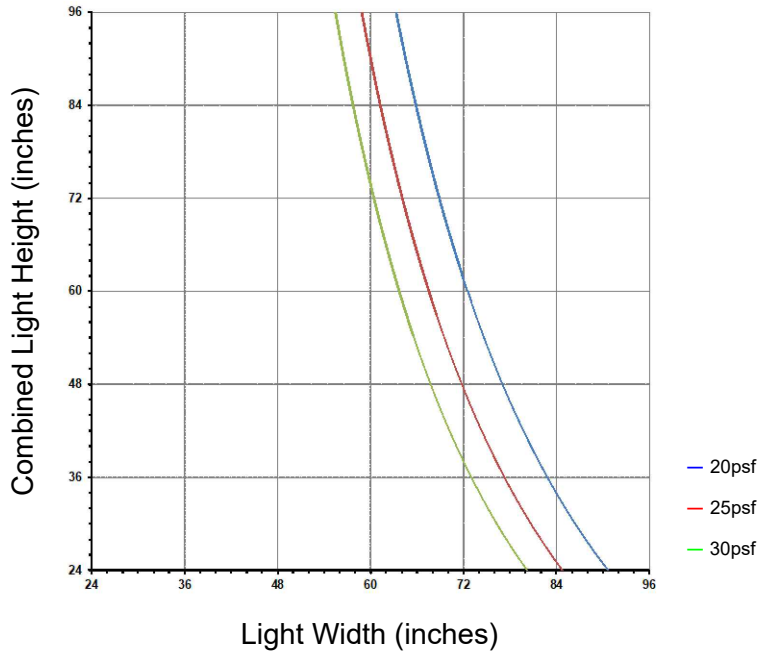
	X-X	Y-Y
I	0.3656 in <sup>4</sup>	0.4147 in <sup>4</sup>
S	0.3851 in <sup>3</sup>	0.2647 in <sup>3</sup>



### Glass Dead Load Chart



### Wind Load Chart



This chart can be used as a guideline for the preliminary structural evaluation of the Rail shown. The Dead Load chart is based on 1/4" - 1/2" - 1/4" I.G. and 0.090" deflection at 1/4 and 1/8 point blocking. The Wind Load Chart is based upon the minimum result from either L/175 deflection, 3/4" deflection, or 15 ksi outer fiber stress. The charts reflect the structural strength of only the Rail. WINCO highly recommends consulting an engineer for any of the following circumstances:

- The window under consideration falls close too or on the design pressure line.
- Any rail exceeds 48" with a large (>16ft<sup>2</sup>) light of glass above.
- I.G. make-up varies from the default.
- I.G. has additional blocking.

WINCO RESERVES THE RIGHT TO MODIFY OR CHANGE INFORMATION WITHIN THIS BOOK WHEN DEEMED NECESSARY FOR PRODUCT IMPROVEMENT

© WINCO WINDOW COMPANY, INC. 2020

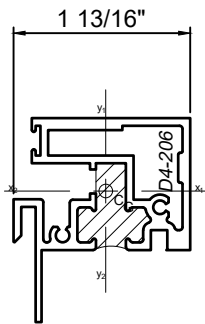
# 4500 Series 4" Thermal Fixed & Double Hung Windows

## Product Details - D4-206 Rail



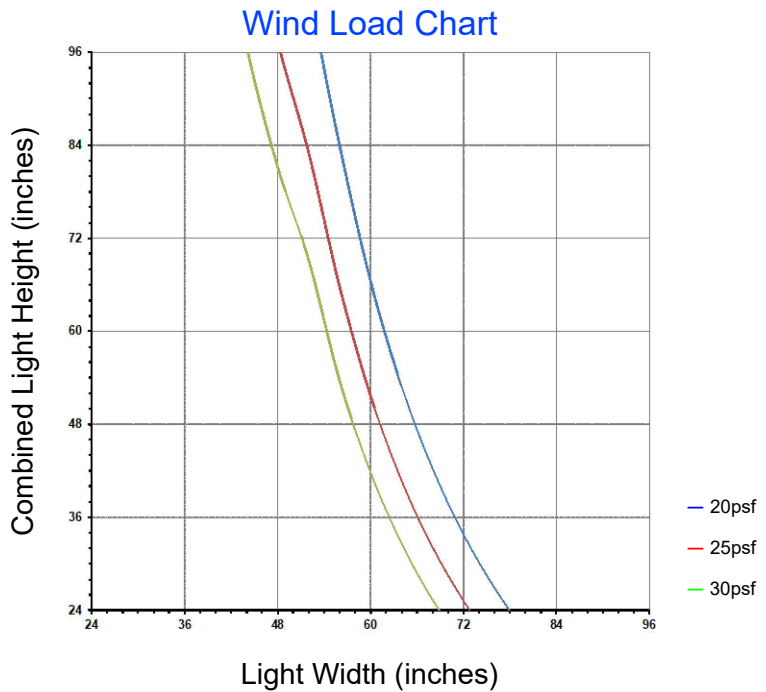
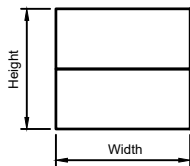
Note: Multiple configurations of this window system are available. Refer to the WINCO website for additional options or contact your local WINCO Sales Representative for information.

WINCO RESERVES THE RIGHT TO MODIFY OR CHANGE INFORMATION WITHIN THIS BOOK WHEN DEEMED NECESSARY FOR PRODUCT IMPROVEMENT



Section Properties

	X-X	Y-Y
I	0.2217 in <sup>4</sup>	0.2814 in <sup>4</sup>
S	0.1624 in <sup>3</sup>	0.2931 in <sup>3</sup>



This chart can be used as a guideline for the preliminary structural evaluation of the Rail shown. The Dead Load chart is based on 1/4" - 1/2" - 1/4" I.G. and 0.090" deflection at 1/4 and 1/8 point blocking. The Wind Load Chart is based upon the minimum result from either L/175 deflection, 3/4" deflection, or 15 ksi outer fiber stress. The charts reflect the structural strength of only the Rail. WINCO highly recommends consulting an engineer for any of the following circumstances:

- The window under consideration falls close too or on the design pressure line.
- Any rail exceeds 48" with a large (>16ft<sup>2</sup>) light of glass above.
- I.G. make-up varies from the default.
- I.G. has additional blocking.

© WINCO WINDOW COMPANY, INC. 2020

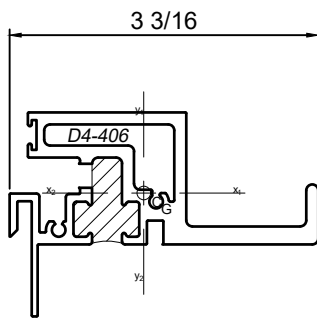
# 4500 Series 4" Thermal Fixed & Double Hung Windows

## Product Details - D4-406 Rail



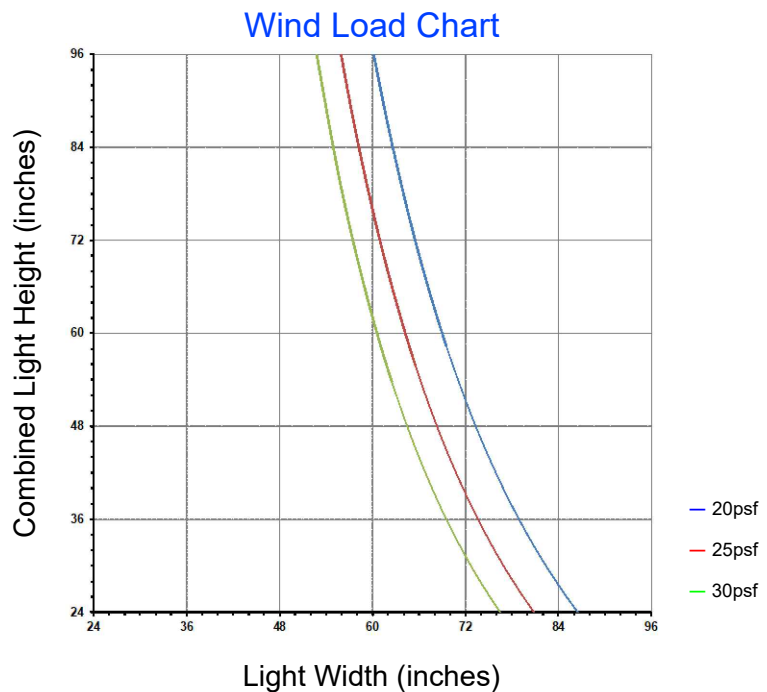
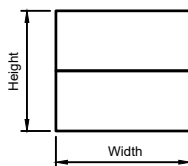
Note: Multiple configurations of this window system are available. Refer to the WINCO website for additional options or contact your local WINCO Sales Representative for information.

WINCO RESERVES THE RIGHT TO MODIFY OR CHANGE INFORMATION WITHIN THIS BOOK WHEN DEEMED NECESSARY FOR PRODUCT IMPROVEMENT



Section Properties

	X-X	Y-Y
I	0.3127 in <sup>4</sup>	1.0060 in <sup>4</sup>
S	0.2442 in <sup>3</sup>	0.5534 in <sup>3</sup>



This chart can be used as a guideline for the preliminary structural evaluation of the Rail shown. The Dead Load chart is based on  $\frac{1}{4}$ " -  $\frac{1}{2}$ " -  $\frac{1}{4}$ " I.G. and 0.090" deflection at  $\frac{1}{4}$  and  $\frac{1}{8}$  point blocking. The Wind Load Chart is based upon the minimum result from either L/175 deflection,  $\frac{3}{4}$ " deflection, or 15 ksi outer fiber stress. The charts reflect the structural strength of only the Rail. WINCO highly recommends consulting an engineer for any of the following circumstances:

- The window under consideration falls close too or on the design pressure line.
- Any rail exceeds 48" with a large (>16ft<sup>2</sup>) light of glass above.
- I.G. make-up varies from the default.
- I.G. has additional blocking.

© WINCO WINDOW COMPANY, INC. 2020

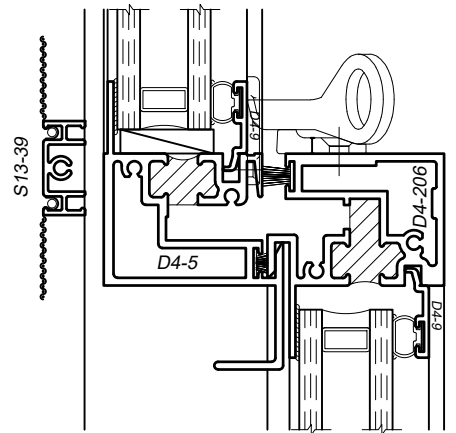
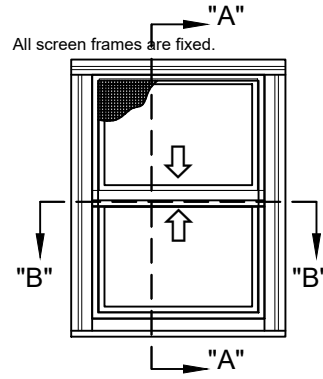
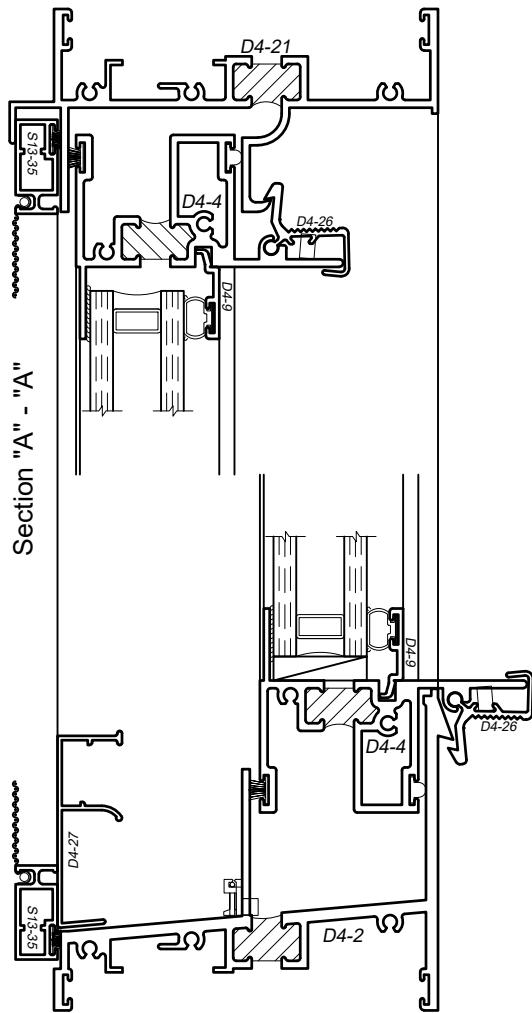
# 4500 Series 4" Thermal Fixed & Double Hung Windows

## Product Details - Screen Options - Standard Fixed Screen



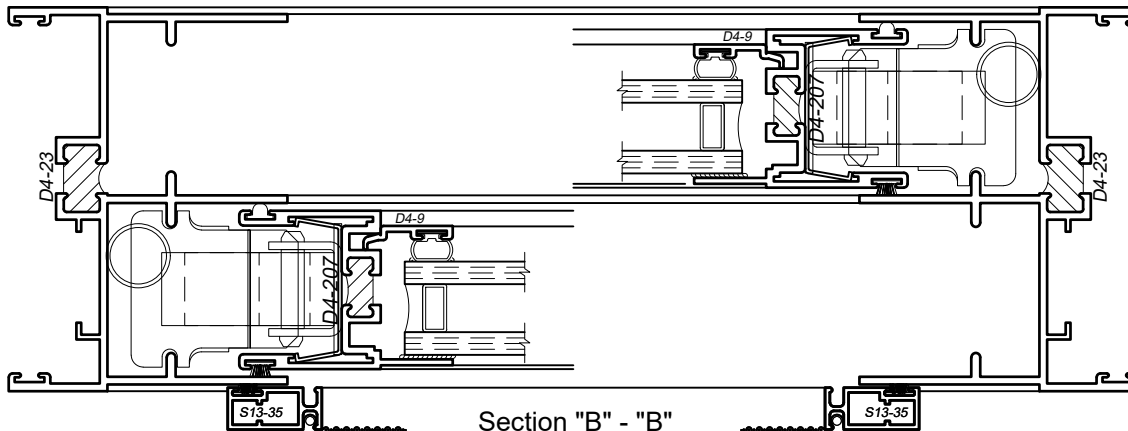
Note: Typical vent screen details shown. Winco reserves the right to alter the screen attachment detail due to job specific sizing and hardware. If you have specific screen applications you would like to see please contact your local Winco Sales Representative for more information.

WINCO RESERVES THE RIGHT TO MODIFY OR CHANGE INFORMATION WITHIN THIS BOOK WHEN DEEMED NECESSARY FOR PRODUCT IMPROVEMENT



Optional S13-39 Muntin Bar

Winco reserves the right to add the S13-39 muntin bar to any aluminum mesh screen for support if the vent becomes too wide. All Fiberglass screen mesh will receive the support rail regardless of width.



SCALE 6"=1'-0"

WINCO RESERVES THE RIGHT TO MODIFY OR CHANGE INFORMATION WITHIN  
THIS BOOK WHEN DEEMED NECESSARY FOR PRODUCT IMPROVEMENT

**This page is purposely left blank**

© WINCO WINDOW COMPANY, INC. 2020

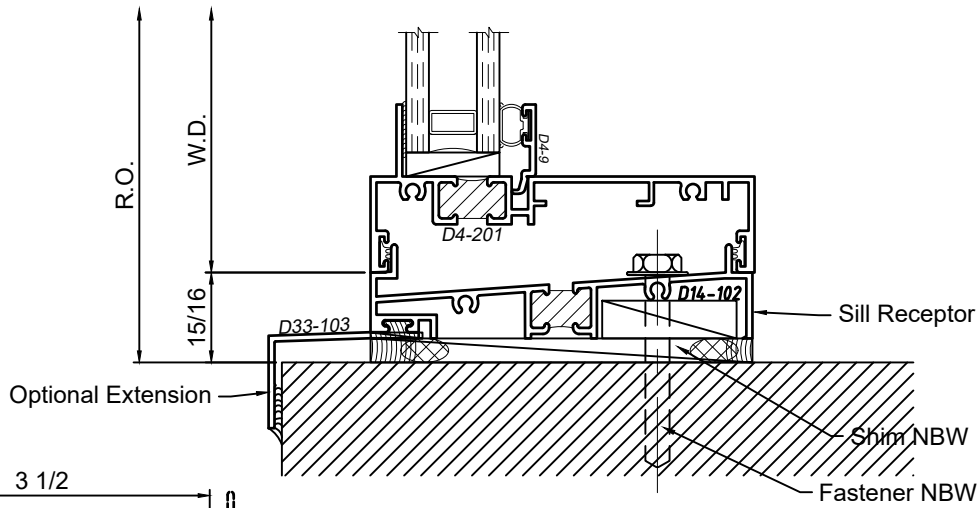
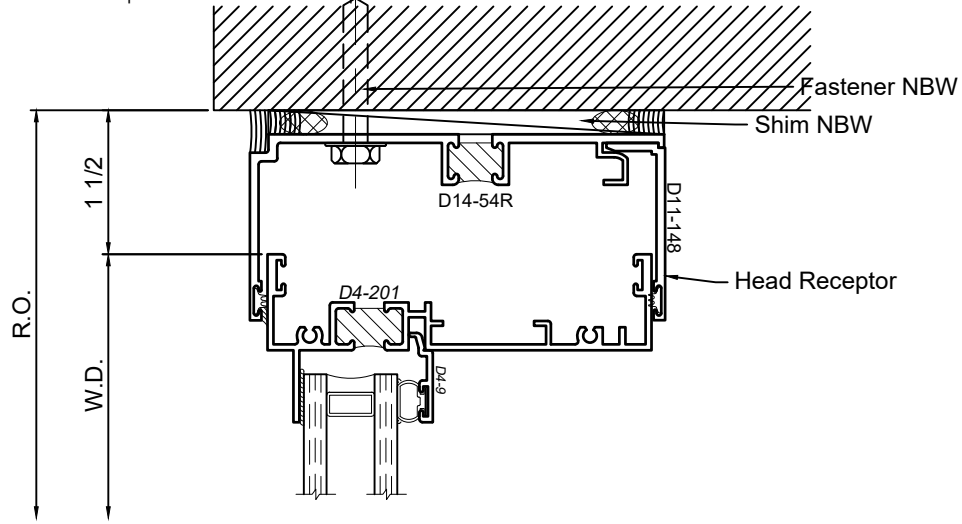
# 4500 Series 4" Thermal Fixed & Double Hung Windows

## Product Details - Trim - Receptor Installation

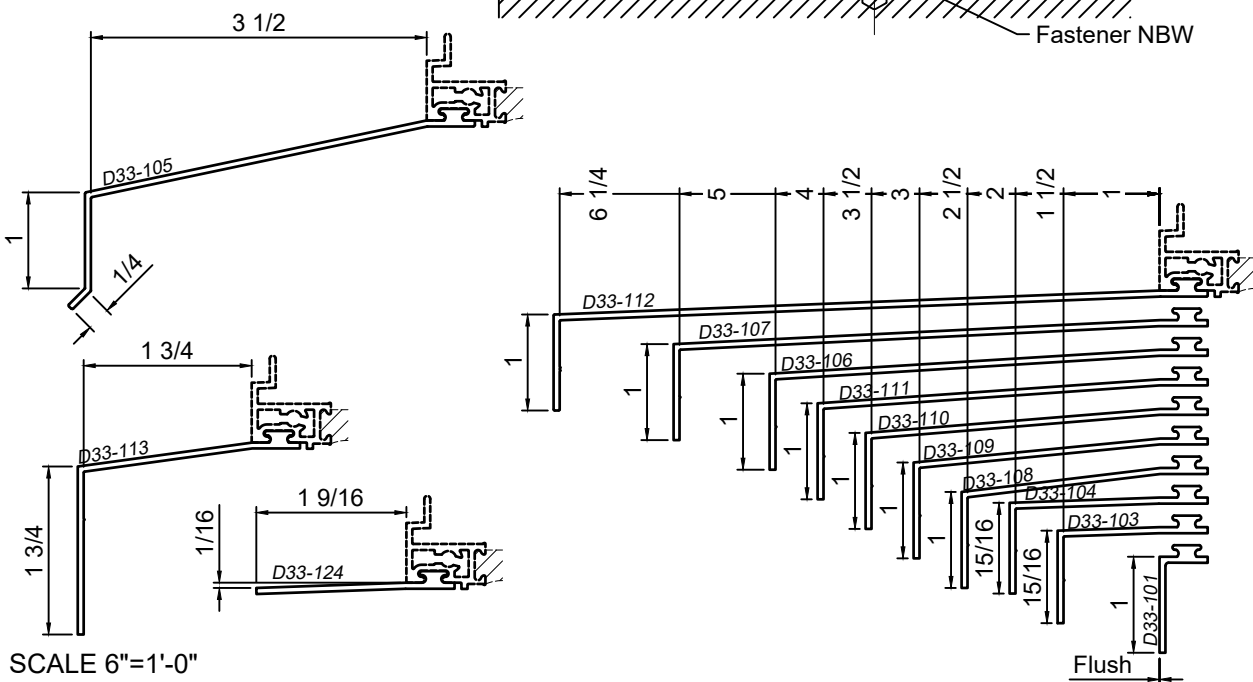


Note: See Winco Installation Instructions for a detailed description of installation notes and procedures.

WINCO RESERVES THE RIGHT TO MODIFY OR CHANGE INFORMATION WITHIN THIS BOOK WHEN DEEMED NECESSARY FOR PRODUCT IMPROVEMENT



© WINCO WINDOW COMPANY, INC. 2020

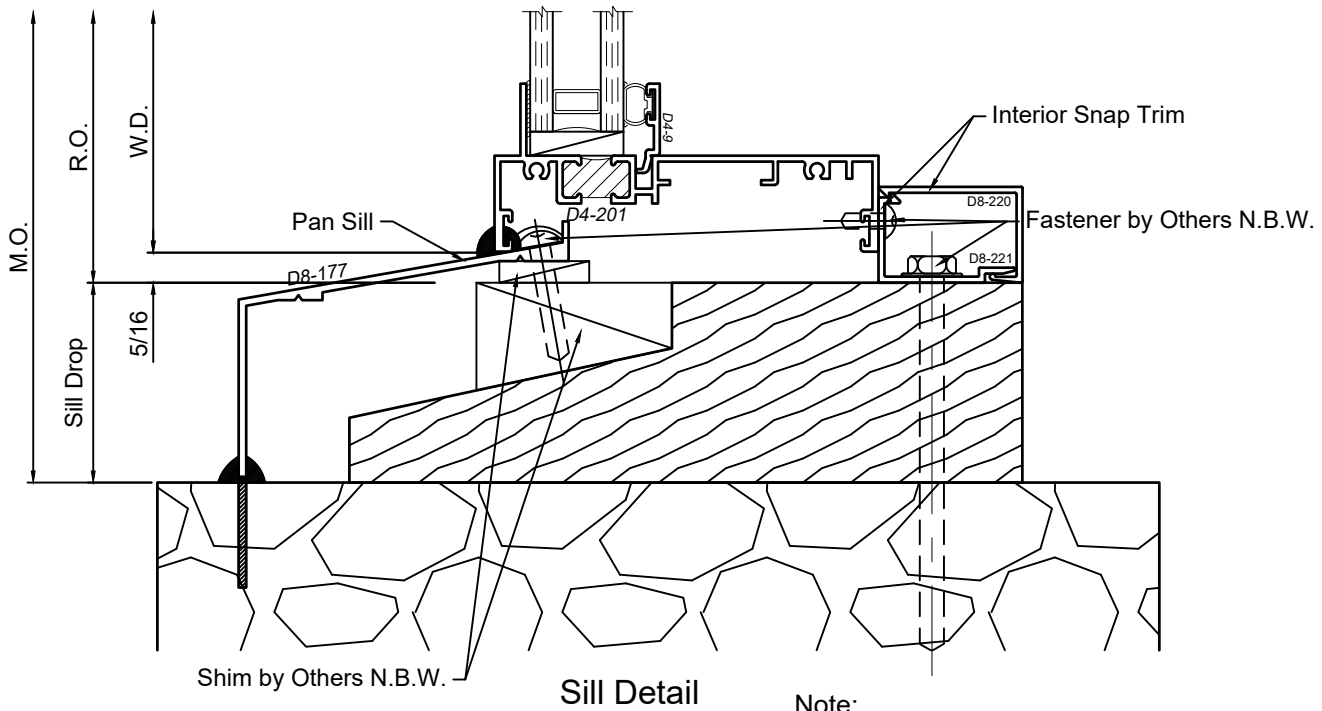
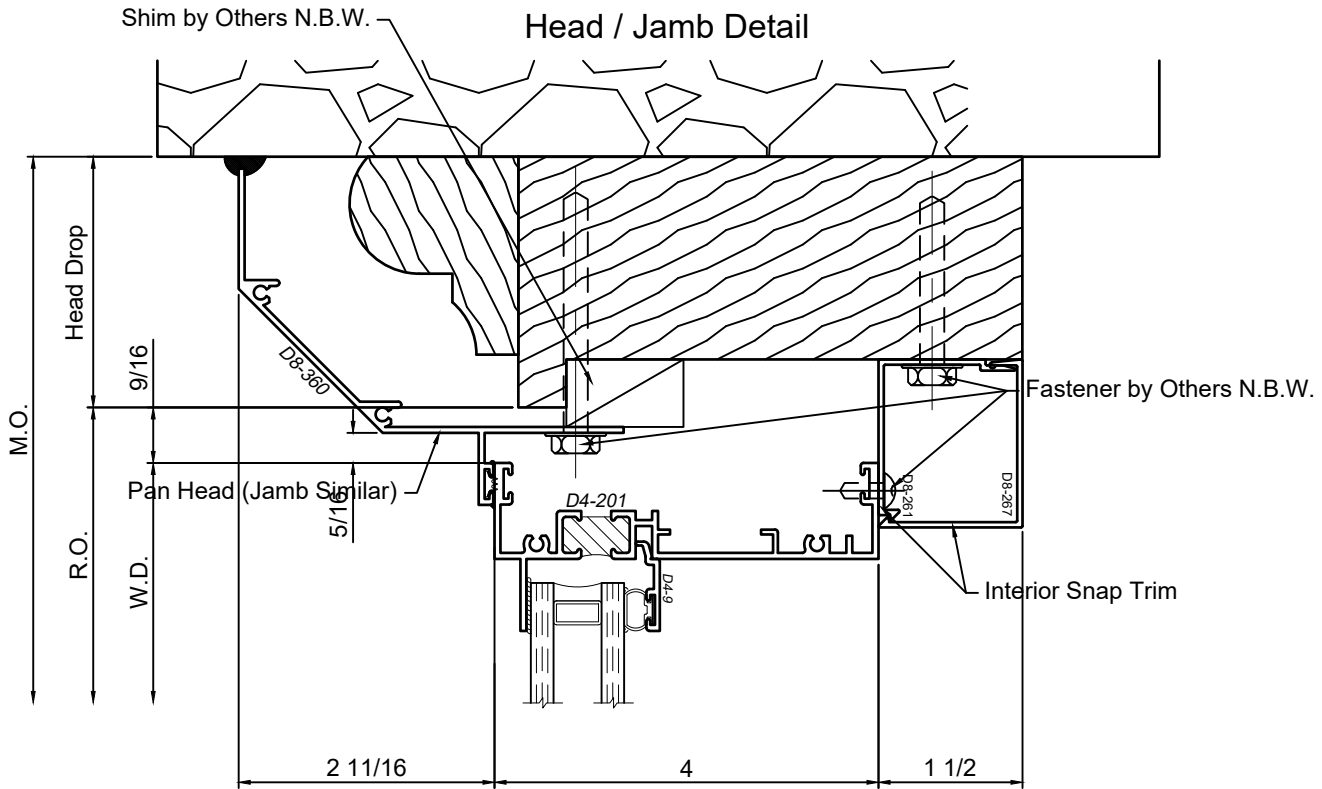


SCALE 6"=1'-0"

# 4500 Series 4" Thermal Fixed & Double Hung Windows Product Details - Trim - Panning Installation



Note: See Winco Installation Instructions for a detailed description of installation notes and procedures.



Note:  
Typical panning system shown. Refer to "Panning and Trim" section of detail binder for all panning and interior snap trim options

SCALE 6"=1'-0"

WINCO RESERVES THE RIGHT TO MODIFY OR CHANGE INFORMATION WITHIN THIS BOOK WHEN DEEMED NECESSARY FOR PRODUCT IMPROVEMENT

© WINCO WINDOW COMPANY, INC. 2020



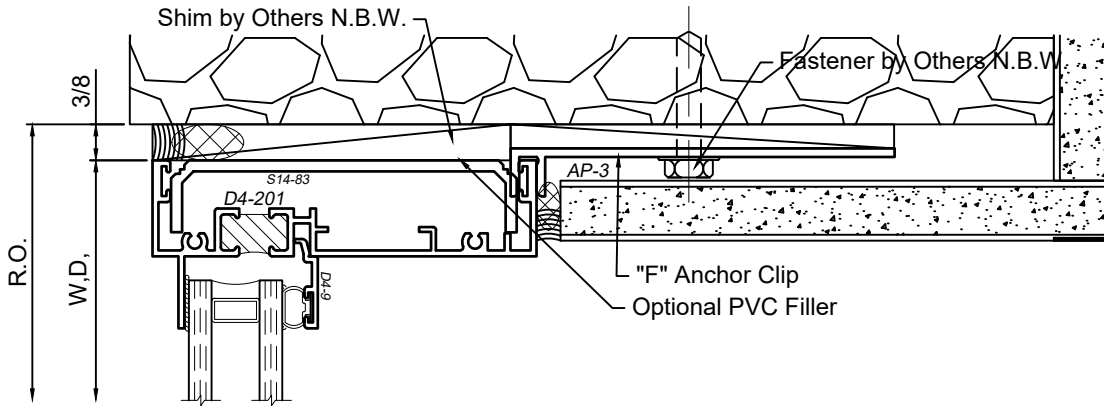
# 4500 Series 4" Thermal Fixed & Double Hung Windows

## Product Details - Trim - F-Anchor and Snap Trim Installation

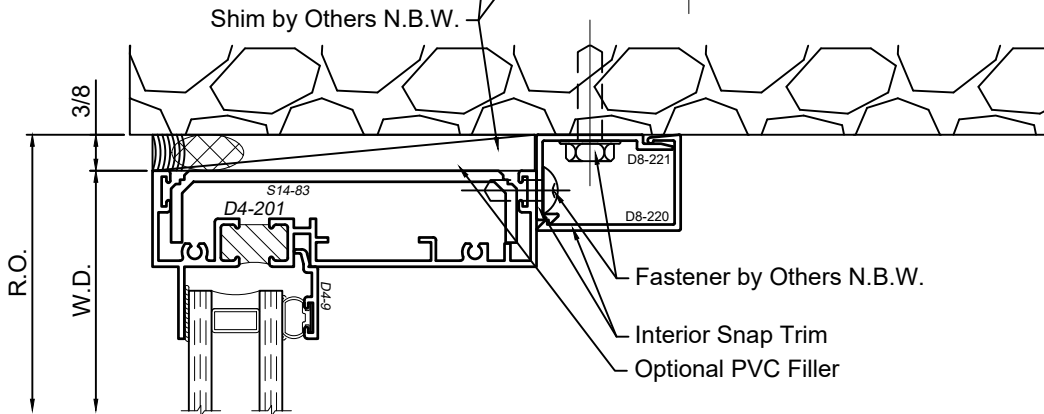
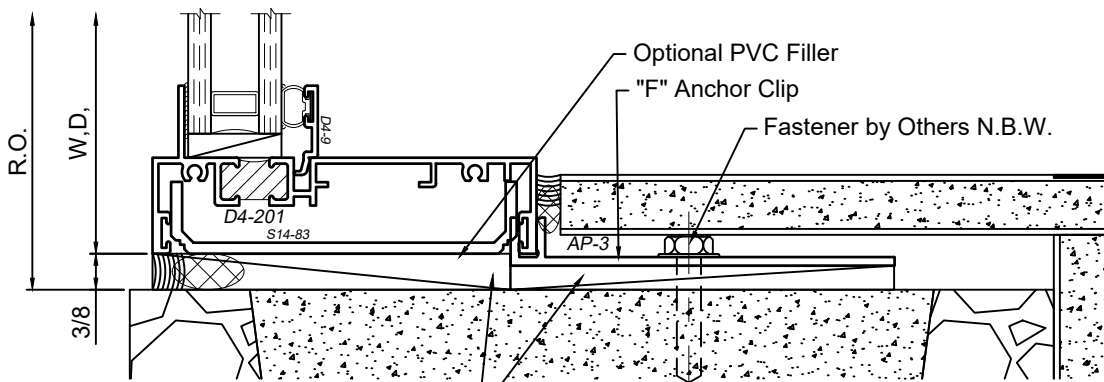


Note: See Winco Installation Instructions for a detailed description of installation notes and procedures.

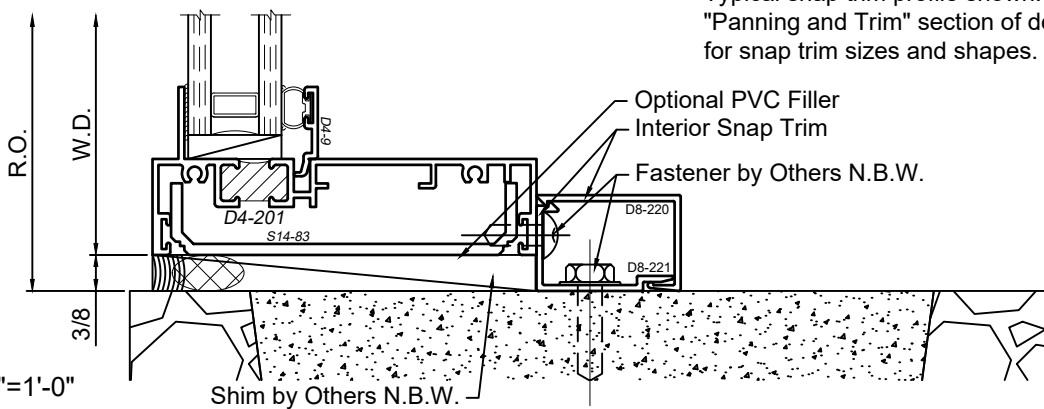
WINCO RESERVES THE RIGHT TO MODIFY OR CHANGE INFORMATION WITHIN THIS BOOK WHEN DEEMED NECESSARY FOR PRODUCT IMPROVEMENT



### "F" Clip Installation



### Snap Trim Installation

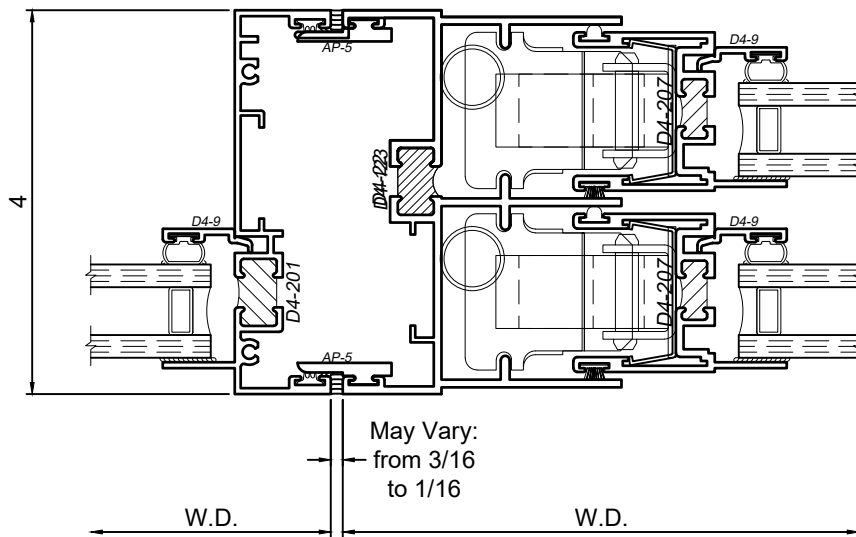
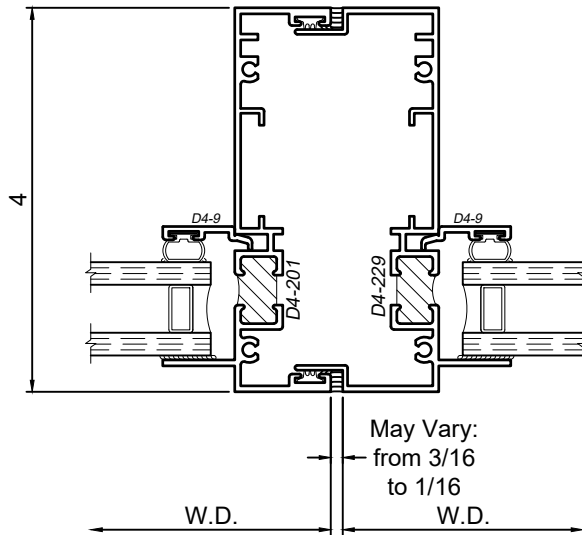


Note:  
Typical snap trim profile shown. Refer to "Panning and Trim" section of detail binder for snap trim sizes and shapes.

SCALE 6"=1'-0"

Shim by Others N.B.W.

Typical Side Stack Framing

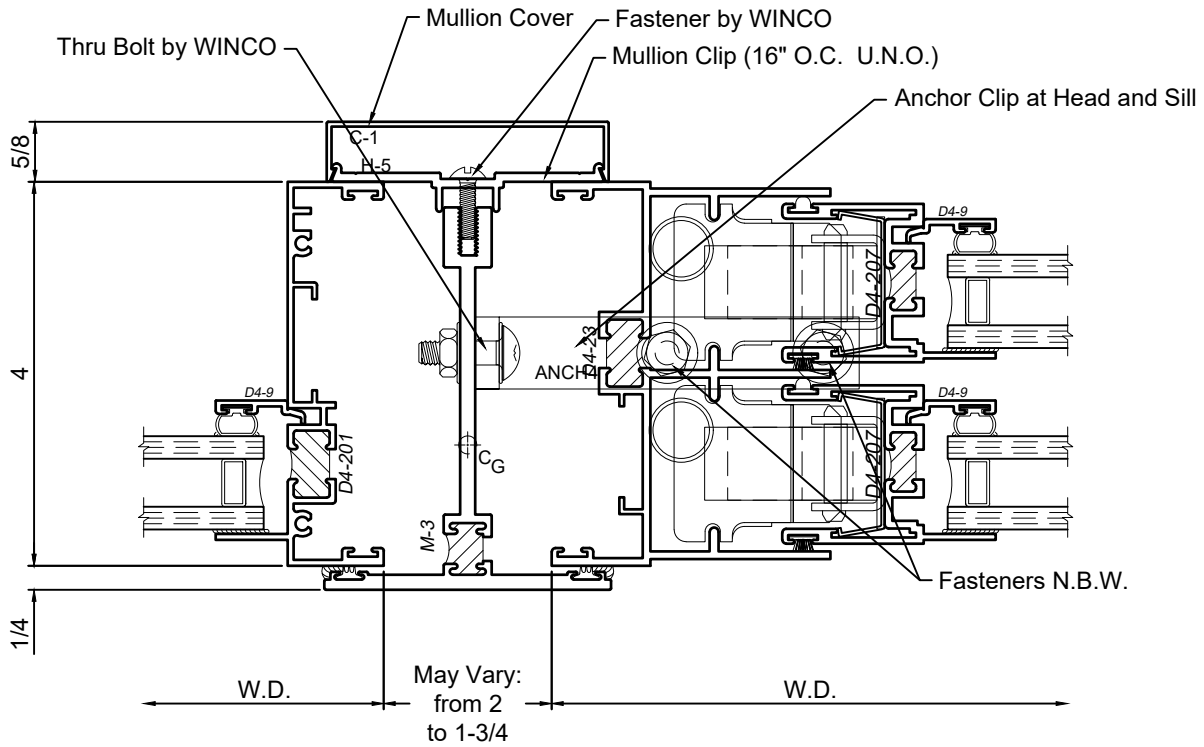


WINCO RESERVES THE RIGHT TO MODIFY OR CHANGE INFORMATION WITHIN THIS BOOK WHEN DEEMED NECESSARY FOR PRODUCT IMPROVEMENT

© WINCO WINDOW COMPANY, INC. 2020

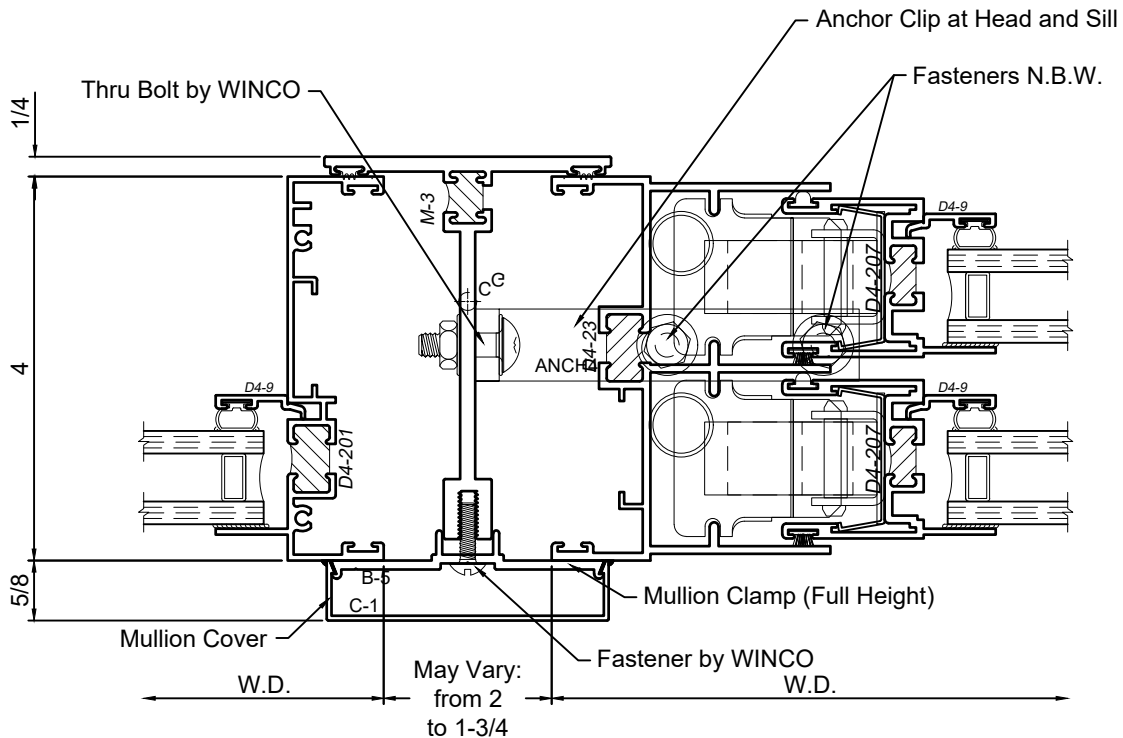
SCALE 6"=1'-0"

### M-3 Mullion set from Building Interior



WINCO RESERVES THE RIGHT TO MODIFY OR CHANGE INFORMATION WITHIN THIS BOOK WHEN DEEMED NECESSARY FOR PRODUCT IMPROVEMENT

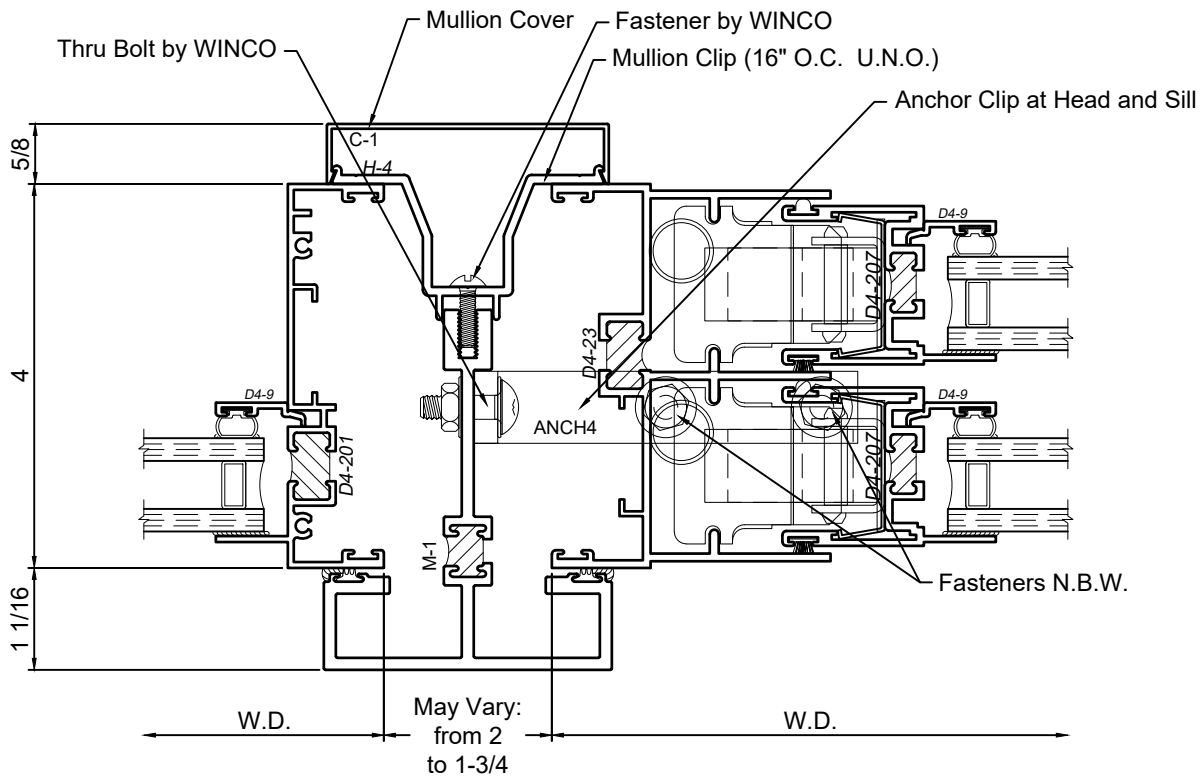
### M-3 Mullion set from Building Exterior



© WINCO WINDOW COMPANY, INC. 2020

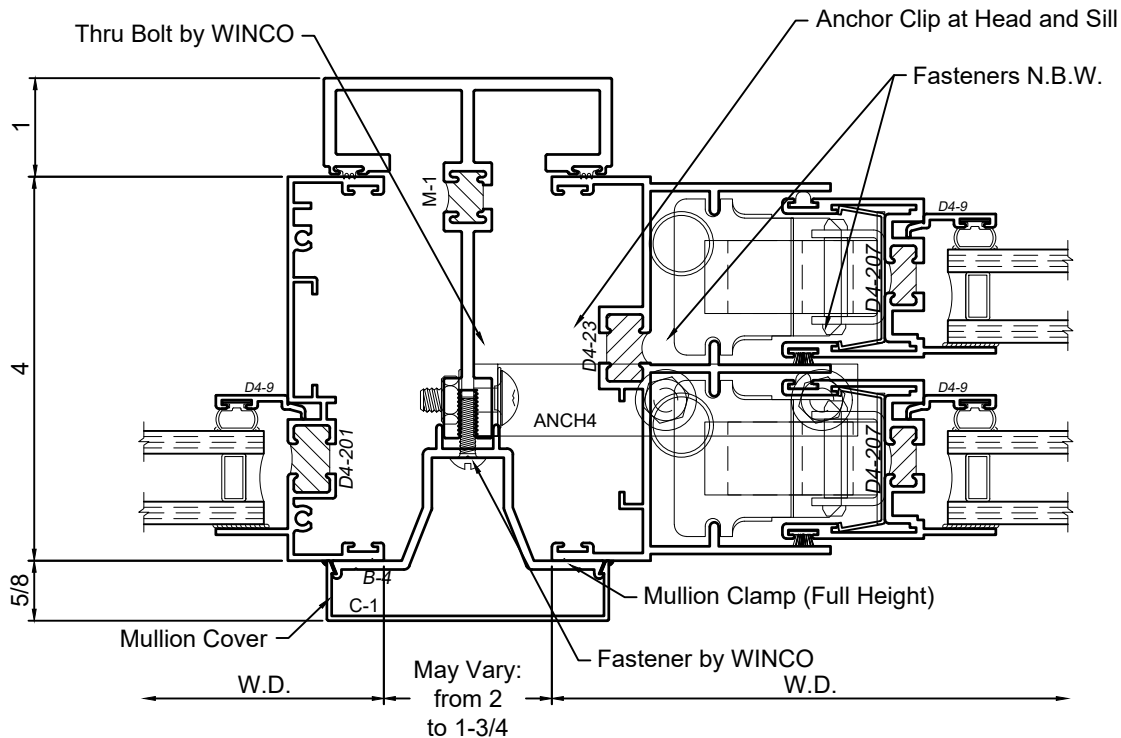
SCALE 6"=1'-0"

### M-1 Mullion set from Building Interior



WINCO RESERVES THE RIGHT TO MODIFY OR CHANGE INFORMATION WITHIN THIS BOOK WHEN DEEMED NECESSARY FOR PRODUCT IMPROVEMENT

### M-1 Mullion set from Building Exterior



© WINCO WINDOW COMPANY, INC. 2020

SCALE 6"=1'-0"

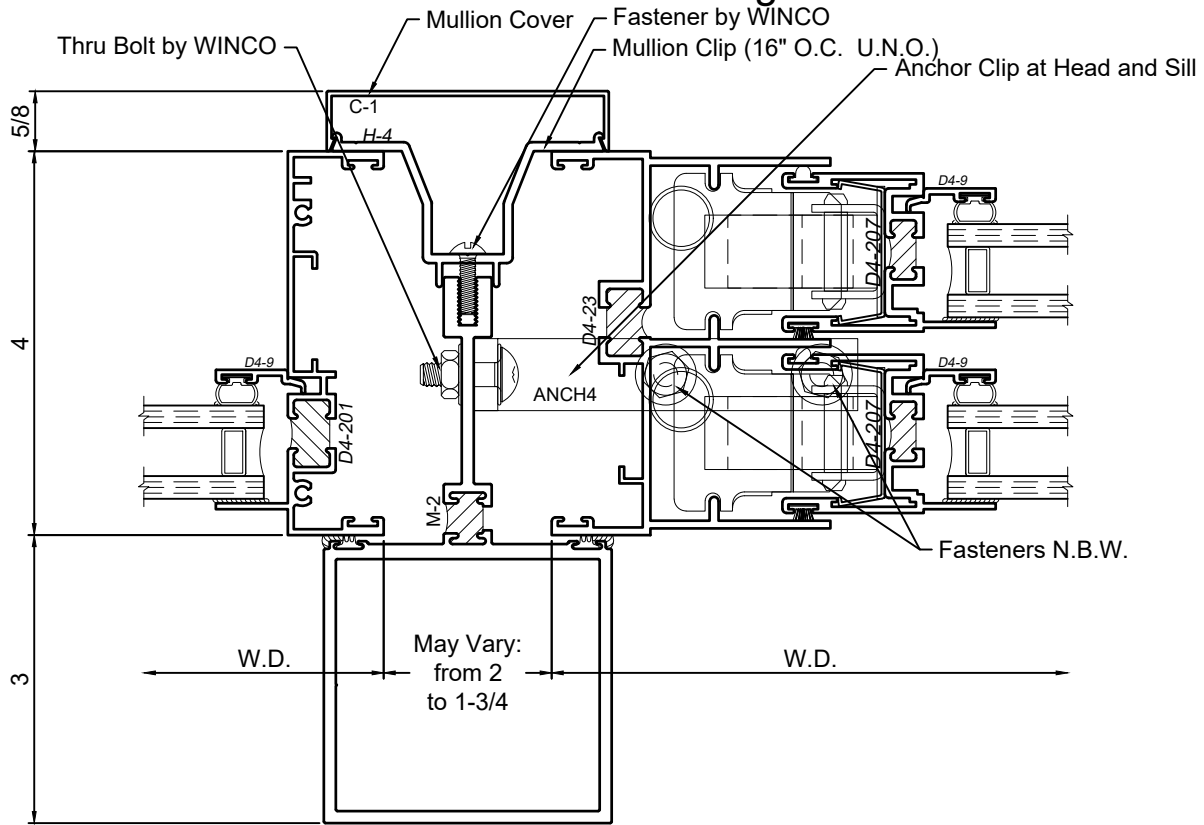
# 4500 Series 4" Thermal Fixed & Double Hung Windows

## Product Details - Trim - Mullion

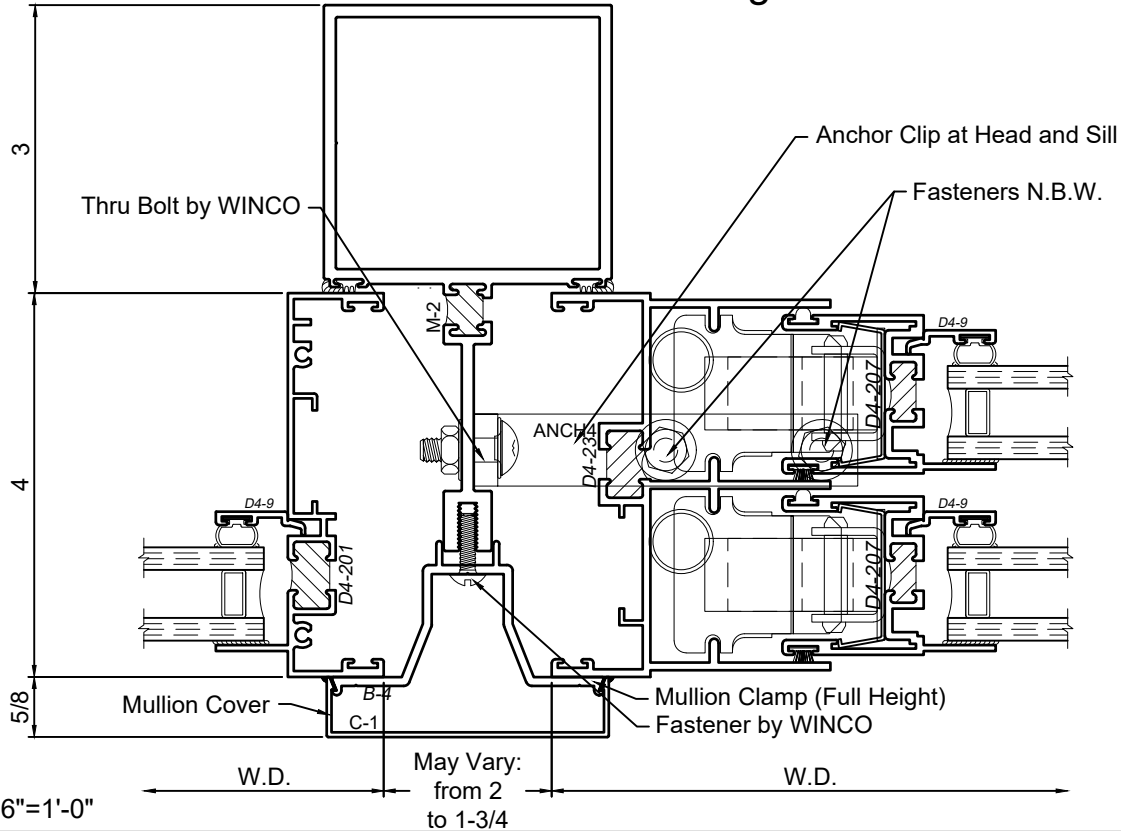


WINCO RESERVES THE RIGHT TO MODIFY OR CHANGE INFORMATION WITHIN THIS BOOK WHEN DEEMED NECESSARY FOR PRODUCT IMPROVEMENT

### M-2 Mullion set from Building Interior



### M-2 Mullion set from Building Exterior

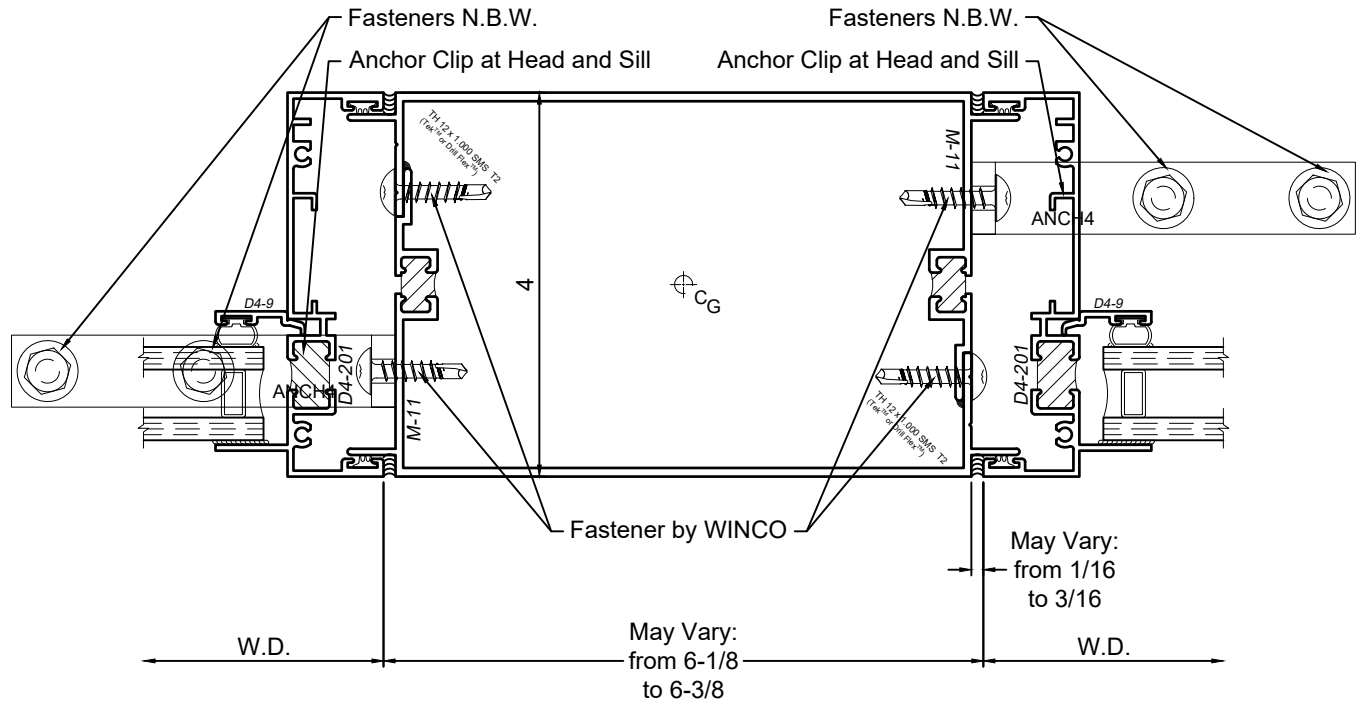


SCALE 6"=1'-0"

© WINCO WINDOW COMPANY, INC. 2020

### M-11 Mullion

Recommended usage only with Jamb Receptor for installation clearances



WINCO RESERVES THE RIGHT TO MODIFY OR CHANGE INFORMATION WITHIN THIS BOOK WHEN DEEMED NECESSARY FOR PRODUCT IMPROVEMENT

© WINCO WINDOW COMPANY, INC. 2020

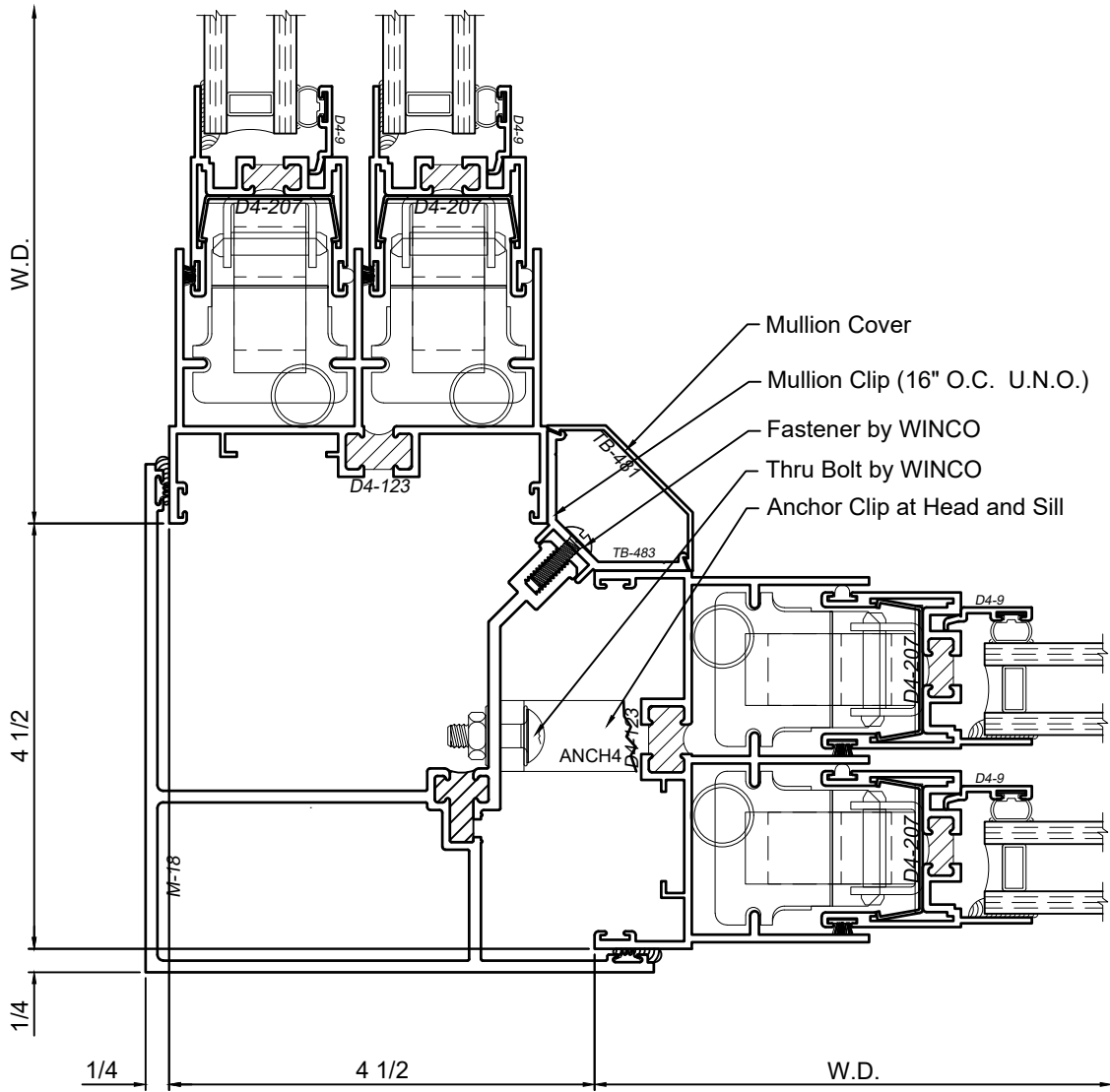
SCALE 6"=1'-0"

# 4500 Series 4" Thermal Fixed & Double Hung Windows

## Product Details - Trim - Mullion



WINCO RESERVES THE RIGHT TO MODIFY OR CHANGE INFORMATION WITHIN THIS BOOK WHEN DEEMED NECESSARY FOR PRODUCT IMPROVEMENT



© WINCO WINDOW COMPANY, INC. 2020

SCALE 6"=1'-0"

WINCO RESERVES THE RIGHT TO MODIFY OR CHANGE INFORMATION WITHIN  
THIS BOOK WHEN DEEMED NECESSARY FOR PRODUCT IMPROVEMENT

**This page is purposely left blank**

© WINCO WINDOW COMPANY, INC. 2020