

# 8800 Series 4" Thermal Fixed Human Impact (Psychiatric) Windows

## Product Information



WINCO RESERVES THE RIGHT TO MODIFY OR CHANGE INFORMATION WITHIN THIS BOOK WHEN DEEMED NECESSARY FOR PRODUCT IMPROVEMENT

### PERFORMANCE

The Series 8800 window is a thermally broken mainframe that exceeds the performance specification criteria as required by ANSI/AAMA for AW (Architectural Grade) windows. The system w/ Human Impact Sash is tested to AAMA 501.8.

| Fixed - w/out Impact Panel *  |                              |                        |
|-------------------------------|------------------------------|------------------------|
| AAMA Rating                   | AW-100                       |                        |
| Air Infiltration              | 0.0 CFM/ft <sup>2</sup>      |                        |
| Water                         | Over 12 psf                  |                        |
| Structural                    | 150 psf                      |                        |
| CRF (AAMA 1503)               | 69                           |                        |
| Center of Glass U-Value       | Window U-Factor <sup>3</sup> |                        |
| BTU/Ft <sup>2</sup> x F° x Hr | 47" x 59" <sup>2</sup>       | 60" x 99" <sup>1</sup> |
| 0.20                          | 0.33                         | 0.29                   |
| 0.24                          | 0.36                         | 0.33                   |
| 0.29                          | 0.40                         | 0.37                   |
| 0.34                          | 0.44                         | 0.41                   |
| 0.47                          | 0.54                         | 0.52                   |

\* Calculated thermal performance results are based on physical test results and weighted area average calculations. Only window frame(s) w/out impact panel can be calculated w/ CMA Bid Certificate to project size and project specific glass due to LBNL calculator limitations regarding accessory sash configurations.

| Fixed - w/ Laminated Glass in Impact Panel |                              |                        | Fixed - w/ Polycarbonate in Impact Panel |                              |                        |
|--|------------------------------|------------------------|--|------------------------------|------------------------|
| AAMA Rating                                | AW-100                       |                        | AAMA Rating                              | AW-100                       |                        |
| Air Infiltration                           | 0.0 CFM/ft <sup>2</sup>      |                        | Air Infiltration                         | 0.0 CFM/ft <sup>2</sup>      |                        |
| Water                                      | Over 12 psf                  |                        | Water                                    | Over 12 psf                  |                        |
| Structural                                 | 150 psf                      |                        | Structural                               | 150 psf                      |                        |
| CRF (AAMA 1503)                            | 64                           |                        | CRF (AAMA 1503)                          | 67                           |                        |
| Center of Glass U-Value                    | Window U-Factor <sup>3</sup> |                        | Center of Glass U-Value                  | Window U-Factor <sup>3</sup> |                        |
| BTU/Ft <sup>2</sup> x F° x Hr              | 47" x 59" <sup>2</sup>       | 60" x 99" <sup>1</sup> | BTU/Ft <sup>2</sup> x F° x Hr            | 47" x 59" <sup>2</sup>       | 60" x 99" <sup>1</sup> |
| 0.20                                       | 0.31                         | 0.28                   | 0.20                                     | 0.28                         | 0.25                   |
| 0.24                                       | 0.34                         | 0.31                   | 0.24                                     | 0.31                         | 0.29                   |
| 0.29                                       | 0.38                         | 0.36                   | 0.29                                     | 0.35                         | 0.33                   |
| 0.34                                       | 0.42                         | 0.40                   | 0.34                                     | 0.39                         | 0.37                   |
| 0.47                                       | 0.52                         | 0.51                   | 0.47                                     | 0.49                         | 0.48                   |

This Information is based on current product design, sealed dual glazing, warm edge spacers and testing standards.

Please contact WINCO for project specific information

<sup>1</sup> AAMA 101 Test Size

<sup>2</sup> NFRC Gateway Test Size

<sup>3</sup> Based on NFRC 100

© WINCO WINDOW COMPANY, INC. 2021

### CONSTRUCTION

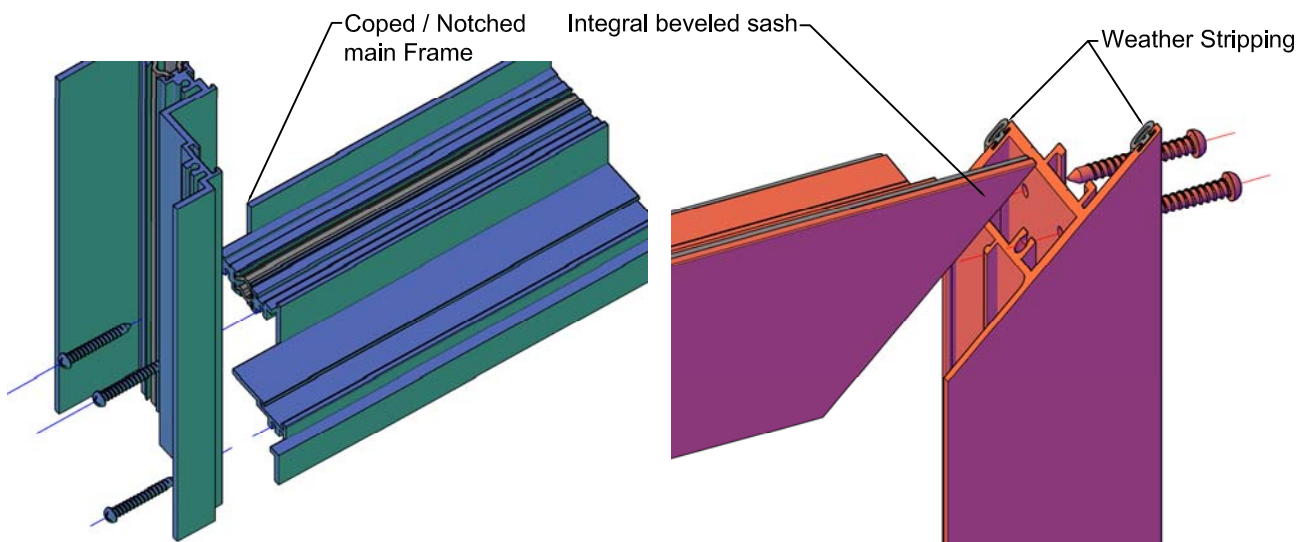
**MATERIAL** - The Series 8800 window is a 4" deep frame depth with a nominal wall thickness of 0.125 inch. All material is extruded from 6063-T6 alloy.

**THERMAL BREAK** - All framing members of the window system are thermally broken. Winco uses polyamide struts for all frame extrusion profiles.

While the Impact Sash may not be divided, optional TB-5 or TB-7 Rails may be used to divide the exterior I.G. into multiple lights. These rails are thermally broken with Azon® urethane. Winco uses the Azon Azo Brader® process to mechanically condition the surface of the thermal cavity. The process runs the entire length of the extrusion and creates serrations that insure proper adhesion of the structural polymer. The structural urethane is a high density 2 part formula providing optimum thermal performance for the most demanding conditions. The combination of the conditioning of the aluminum surface along with the two part urethane allows Winco to provide a full 10 year warranty against thermal break creep and shrinkage in accordance with AAMA 505-98.

**WEATHER-STRIP** - All impact sash have a double Santoprene®, non-shrinking dual durometer, thermoplastic rubber weather-stripping around the perimeter. One interior and one exterior.

**FABRICATION** - The main frame corners are coped and mechanically joined using three stainless steel spline screws per corner (fig 1). The impact sash is a hollow tube shaped extrusion for superior strength and rigidity. Impact sash corners are fully mitered and mechanically joined using two stainless steel spline screws per corner, aligning the members to form a hairline joint (fig 2). All frame joints are back sealed with small joint seam sealer providing a water tight joinery.



**(fig 1) Main Frame Construction**

**(fig 2) Impact Sash Construction**

WINCO RESERVES THE RIGHT TO MODIFY OR CHANGE INFORMATION WITHIN THIS BOOK WHEN DEEMED NECESSARY FOR PRODUCT IMPROVEMENT

© WINCO WINDOW COMPANY, INC. 2021

WINCO RESERVES THE RIGHT TO MODIFY OR CHANGE INFORMATION WITHIN THIS BOOK WHEN DEEMED NECESSARY FOR PRODUCT IMPROVEMENT

## GLAZING

The windows is interior tripple glazed with .050 thick extruded aluminum glazing beads accommodating for the exterior I.G. of 1". Venetian blinds are available. See the quick reference chart below for all glazing options. For actual details refer to the glazing section in the back of the 8800 section for optional glazing and blind details.

| Glazing Thickness | 1/8"     | 3/16" | 1/4" | 5/16" | 3/8" | 1/2" | 9/16" | 5/8" | 3/4" | 7/8" | 1" | 1-1/4" | 1-3/8" | 1-1/2" |
|-------------------|----------|-------|------|-------|------|------|-------|------|------|------|----|--------|--------|--------|
| Monolithic        | -        | -     | -    | -     | -    | -    | -     | -    | -    | -    | -  | -      | -      | -      |
| Insulated         | -        | -     | -    | -     | -    | -    | -     | -    | -    | -    | X  | -      | -      | -      |
| Dual Glazed       | Exterior | -     | -    | -     | -    | -    | -     | -    | -    | -    | -  | -      | -      | -      |
|                   | Interior | -     | -    | -     | -    | -    | -     | -    | -    | -    | -  | -      | -      | -      |
| Triple Glazed     | Exterior | -     | -    | -     | -    | -    | -     | -    | -    | -    | X  | -      | -      | -      |
|                   | Interior | -     | -    | -     | -    | X    | X     | -    | -    | -    | -  | -      | -      | -      |

Winco has different gaskets and glazing methods that can accommodate odd thicknesses of glass. If you do not see what you are looking for within this chart please contact your local representative for information regarding your specific project needs.

## HARDWARE

All 8800 Series windows are fixed. The human impact sash is a hinged configuration with concealed stainless steel hinges and multi point locks. The lock is mounted in a manner to achieve a flush appearance and avoid hardware protrusions to enhance the safety of the product. The blind control knob is a thumb turn design which also does not offer any hardware protrusions.

© WINCO WINDOW COMPANY, INC. 2021

WINCO RESERVES THE RIGHT TO MODIFY OR CHANGE INFORMATION WITHIN  
THIS BOOK WHEN DEEMED NECESSARY FOR PRODUCT IMPROVEMENT

**This page is purposely left blank**

© WINCO WINDOW COMPANY, INC. 2021

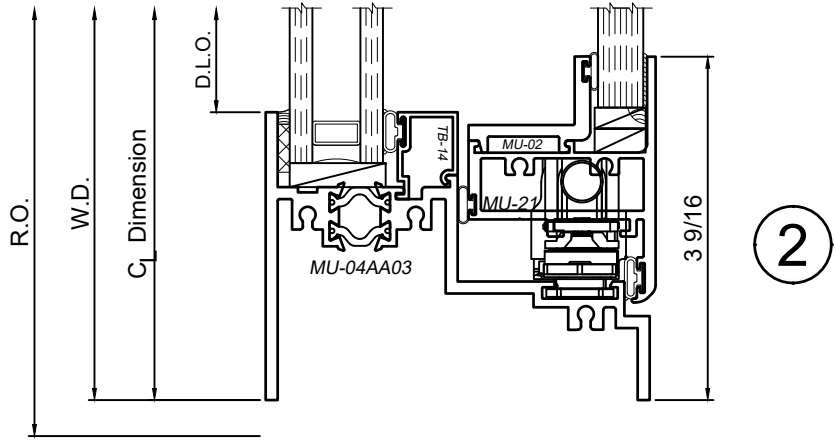
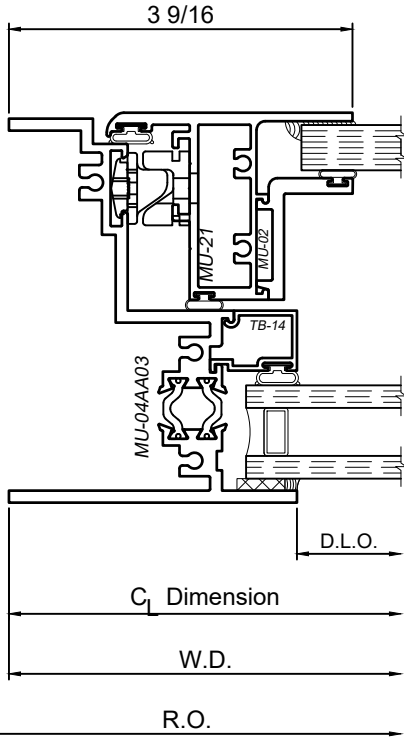
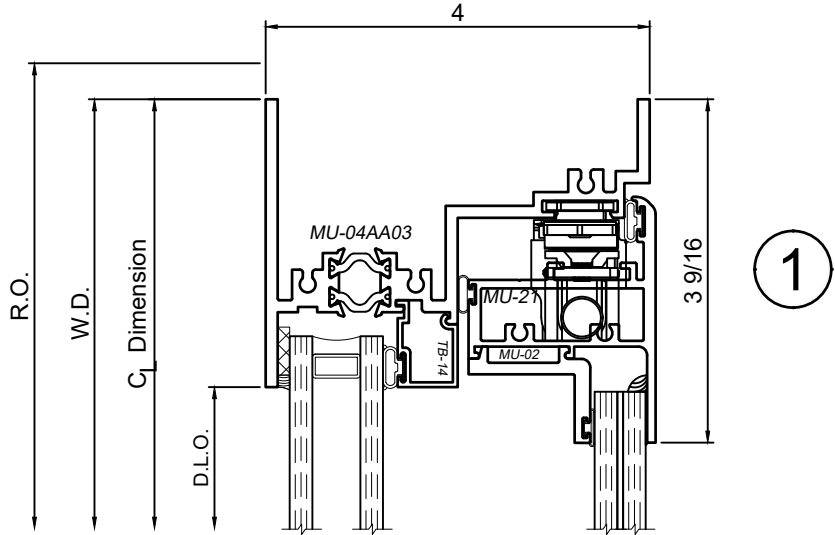
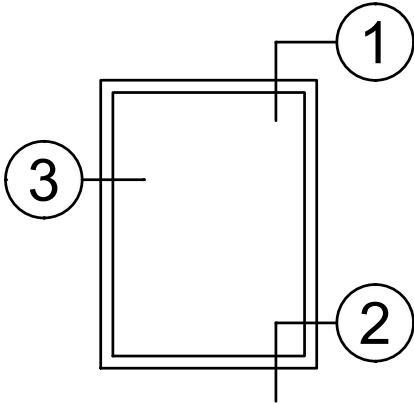
# 8800 Series 4" Thermal Fixed Human Impact (Psychiatric) Windows

## Product Details - Fixed - Picture Window



Note: Multiple configurations of this window system are available. Refer to the WINCO website for additional options or contact your local WINCO Sales Representative for information.

WINCO RESERVES THE RIGHT TO MODIFY OR CHANGE INFORMATION WITHIN THIS BOOK WHEN DEEMED NECESSARY FOR PRODUCT IMPROVEMENT



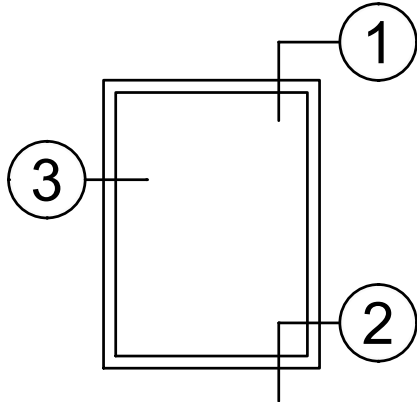
© WINCO WINDOW COMPANY, INC. 2021

3

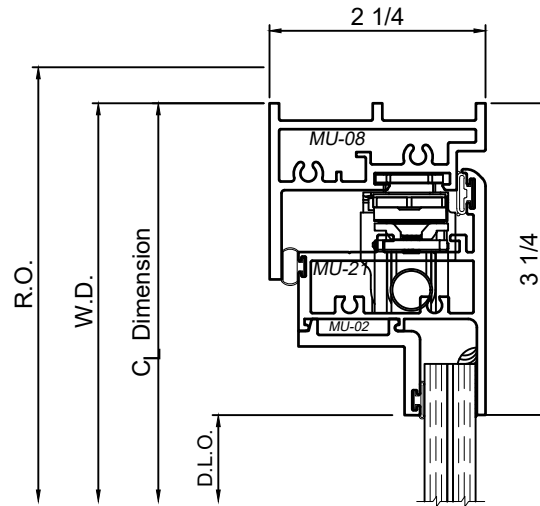
SCALE 6"=1'-0"

# 8800 Series 4" Thermal Fixed Human Impact (Psychiatric) Windows

## Product Details - Fixed - Picture Window (Retro Fit Option)

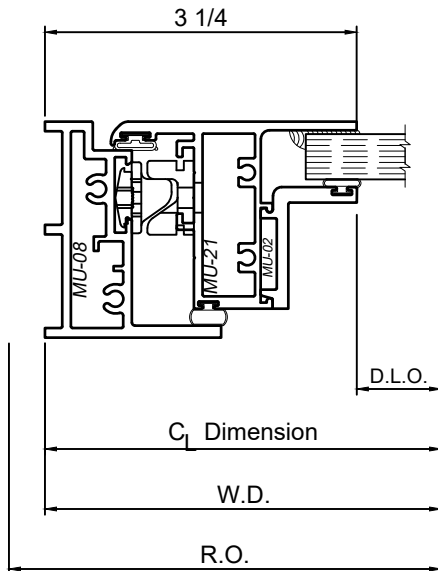


Note:  
 The primary (exterior) glazing remains undisturbed by the addition of the 8800 Retro-Fit Impact Sash. It can be accessed for maintenance, but not be used for ventilation.  
 Sealing against intrusion of Air or Water from the building's exterior must be addressed in the primary (exterior) glazing system.

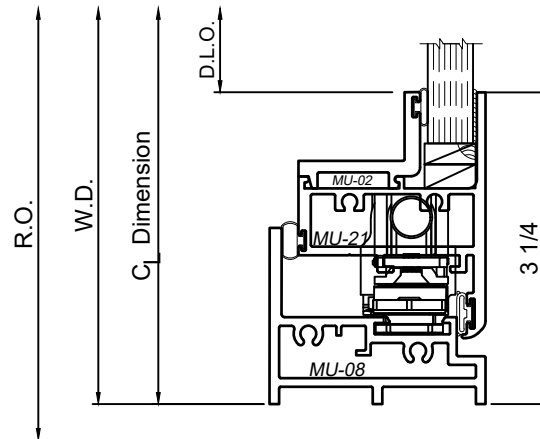


1

WINCO RESERVES THE RIGHT TO MODIFY OR CHANGE INFORMATION WITHIN THIS BOOK WHEN DEEMED NECESSARY FOR PRODUCT IMPROVEMENT



3



2

© WINCO WINDOW COMPANY, INC. 2021

SCALE 6"=1'-0"

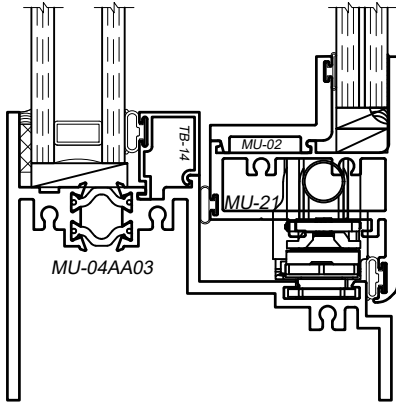
# 8800 Series 4" Thermal Fixed Human Impact (Psychiatric) Windows

## Product Details - Glazing Options

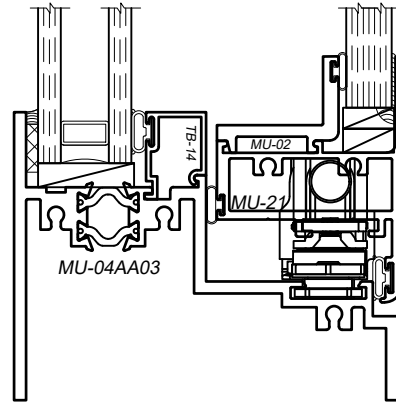


Note: Multiple configurations of this window system are available. Refer to the WINCO website for additional options or contact your local WINCO Sales Representative for information.

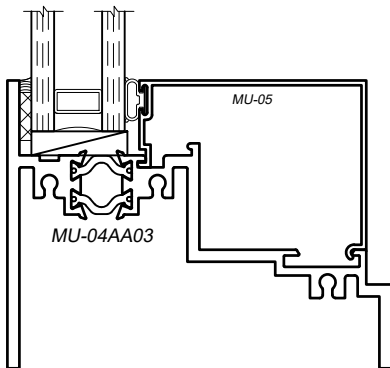
WINCO RESERVES THE RIGHT TO MODIFY OR CHANGE INFORMATION WITHIN THIS BOOK WHEN DEEMED NECESSARY FOR PRODUCT IMPROVEMENT



1" Glazing Bead  
TB-14  
9/16" Laminate in Impact  
Sash  
(1,500 ft-lbs Impact Only)



1" Glazing Bead  
TB-14  
1/2" Polycarbonate in  
Impact Sash



1" Glazing Bead  
MU-05  
(Not for Human Impact  
Applications)

© WINCO WINDOW COMPANY, INC. 2021

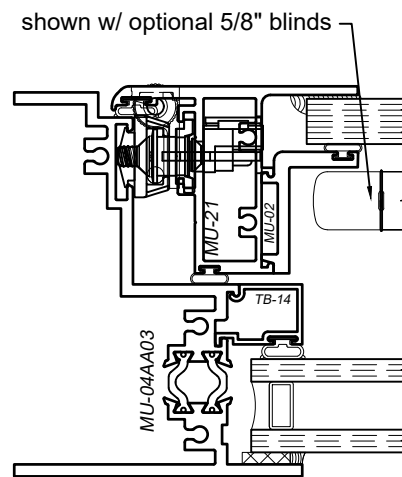
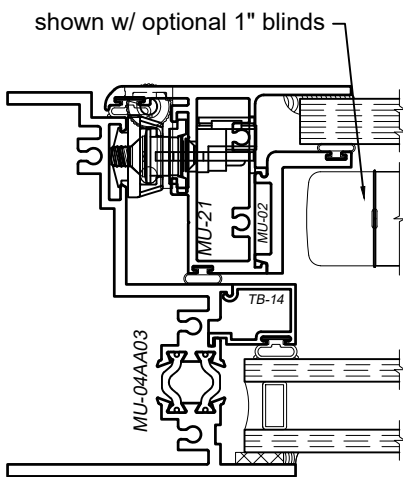
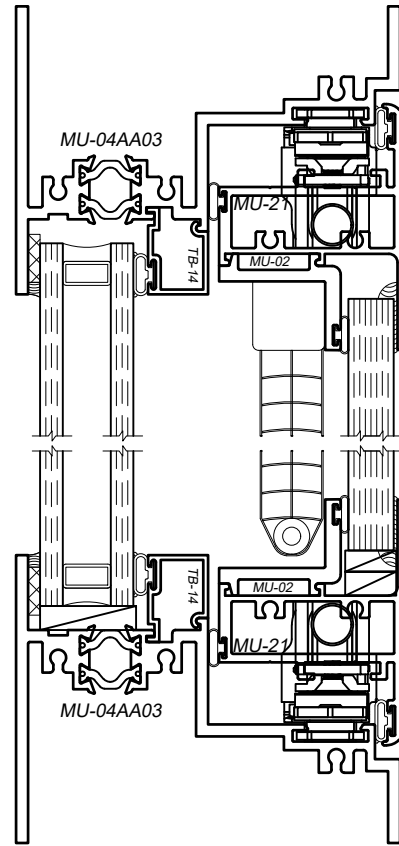
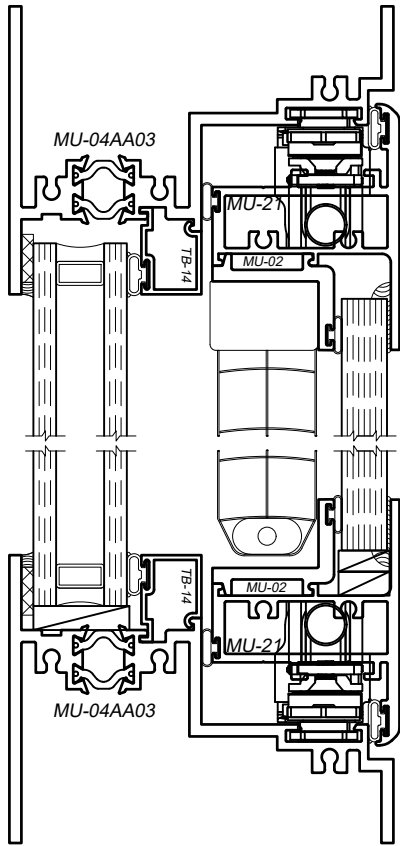
SCALE 6"=1'-0"

# 8800 Series 4" Thermal Fixed Human Impact (Psychiatric) Windows

## Product Details - Tripple Glazed



Note: Multiple configurations of this window system are available. Refer to the WINCO website for additional options or contact your local WINCO Sales Representative for information.



SCALE 6"=1'-0"

WINCO RESERVES THE RIGHT TO MODIFY OR CHANGE INFORMATION WITHIN THIS BOOK WHEN DEEMED NECESSARY FOR PRODUCT IMPROVEMENT

© WINCO WINDOW COMPANY, INC. 2021



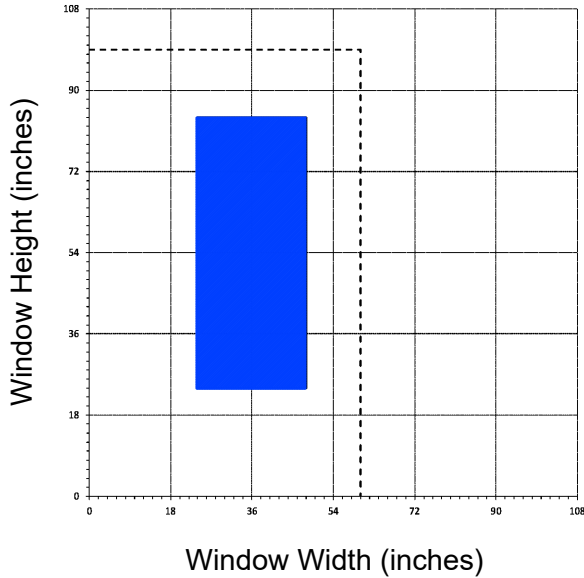
# 8800 Series 4" Thermal Fixed Human Impact (Psychiatric) Windows

## Window Unit Size Chart

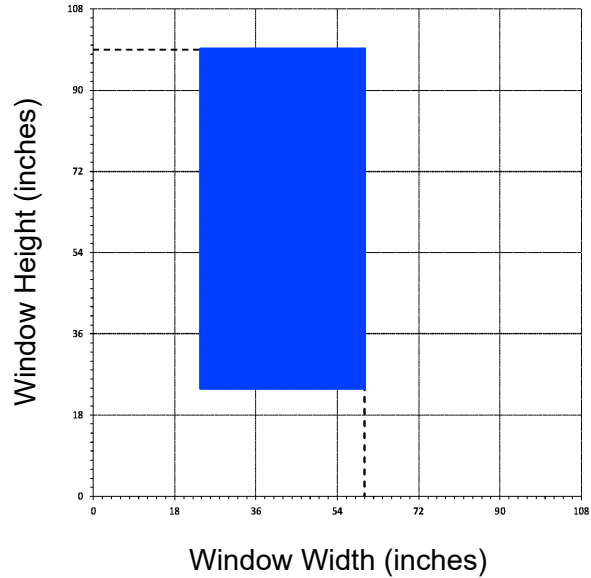


WINCO RESERVES THE RIGHT TO MODIFY OR CHANGE INFORMATION WITHIN THIS BOOK WHEN DEEMED NECESSARY FOR PRODUCT IMPROVEMENT

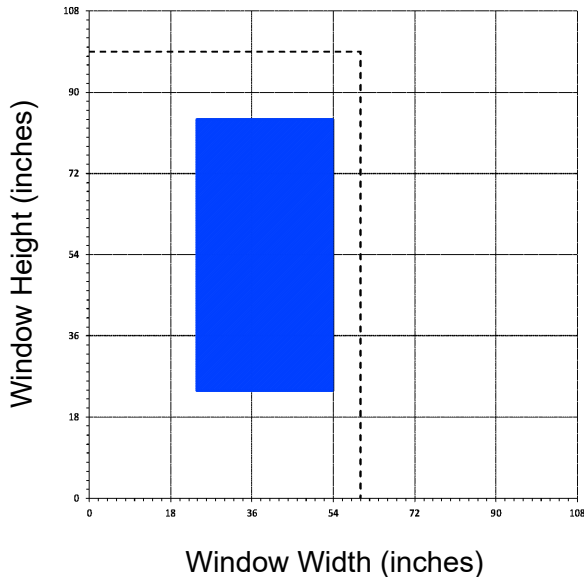
Fixed 1500 ft lbs Impact  
9/16" Laminate Impact Panel



Fixed 1800 ft lbs Impact  
1/2" Polycarbonate Impact Panel



Fixed 2000 ft lbs Impact  
1/2" Polycarbonate Impact Panel



--- AAMA Gateway Test Size  
(without Impact Panel to AAMA 101 / I.S.2 // ANSI 440 / NAFS for Air/Water/Structural performance)

The 8800 Human Impact Series was tested in multiple glazing configurations to AAMA 501.8

- With 9/16" Laminated Impact Panel at 1,500 ft lbs
- With 1/2" Polycarbonate Impact Panel at 1,800 ft lbs
- With 1/2" Polycarbonate Impact Panel at 2,000 ft lbs

*Note that the maximum certified size is limited by the AAMA 501.8 Impact Test Size, not the AAMA 101 Air/Water/Structural Test size.*

- Dashed line represents the size window as tested to AAMA 101 for Air/Water/Structural Performance
- Chart assumes the window has been installed in a properly prepared opening by a qualified installer.
- Individual job criteria such as: other glazing materials, specified wind load, and specific operating hardware; may enhance or restrict the chart.
- Minimum Unit size is 24" x 24".
- The chart is a general guideline for Human Impact window unit sizing. Anything on the edge or outside of the range will need to be reviewed by Winco Engineering.

© WINCO WINDOW COMPANY, INC. 2021

WINCO RESERVES THE RIGHT TO MODIFY OR CHANGE INFORMATION WITHIN  
THIS BOOK WHEN DEEMED NECESSARY FOR PRODUCT IMPROVEMENT

**This page is purposely left blank**

© WINCO WINDOW COMPANY, INC. 2021

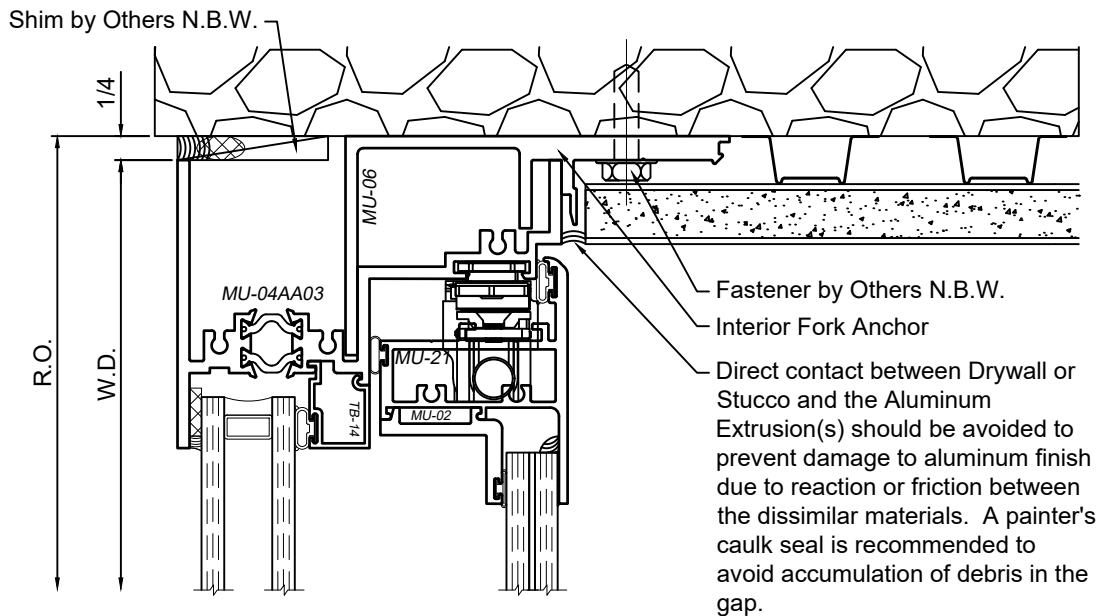
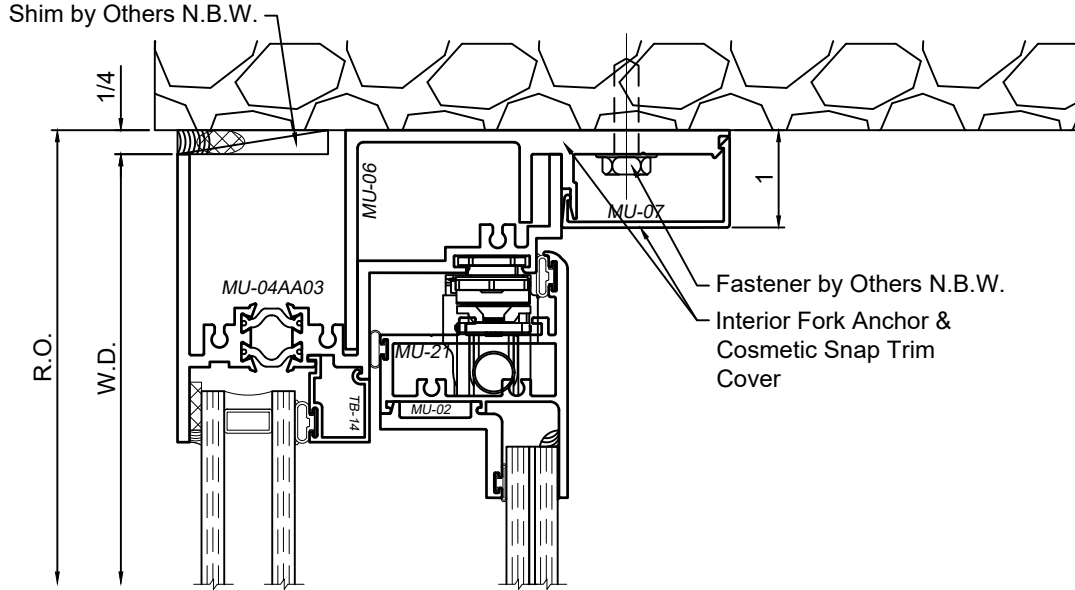
# 8800 Series 4" Thermal Fixed Human Impact (Psychiatric) Windows

## Product Details - Trim - F-Anchor (Fork Anchor) Installation



Note: See Winco Installation Instructions for a detailed description of installation notes and procedures.

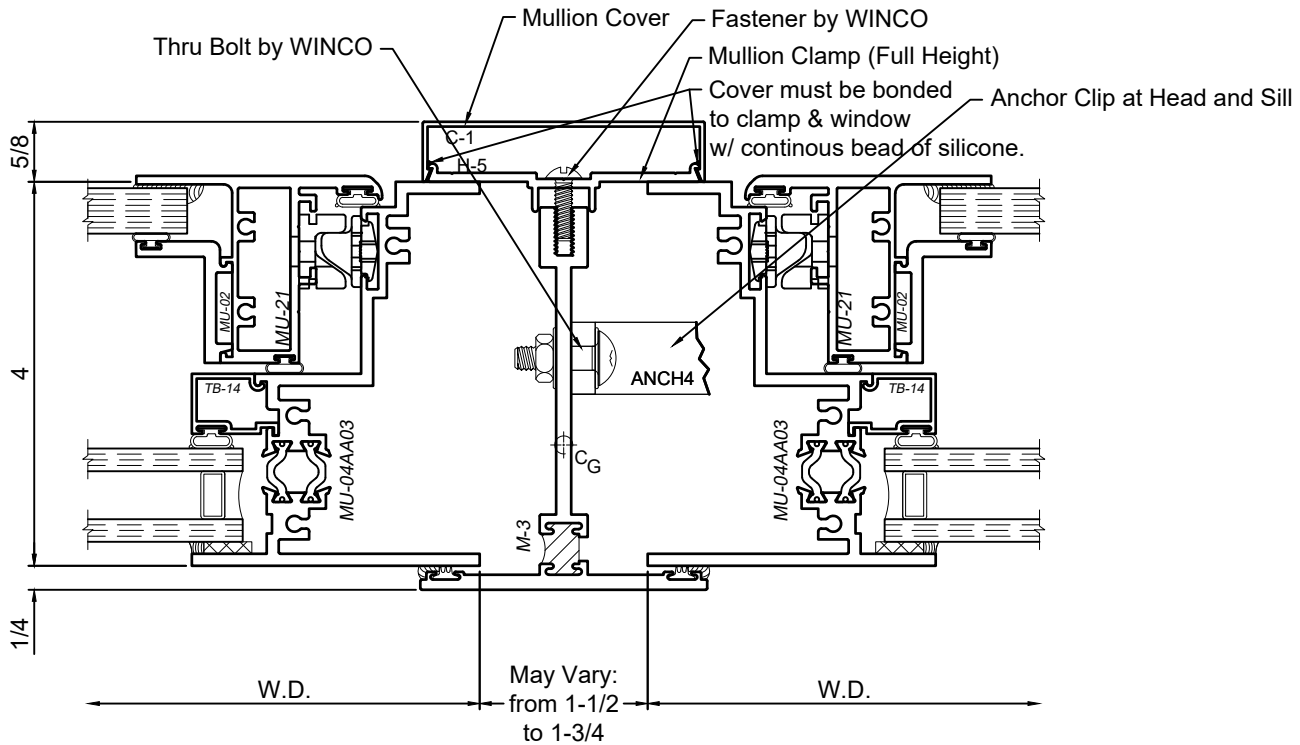
WINCO RESERVES THE RIGHT TO MODIFY OR CHANGE INFORMATION WITHIN THIS BOOK WHEN DEEMED NECESSARY FOR PRODUCT IMPROVEMENT



Note:  
 This Product System MUST be installed with MU-06 Fork Anchor to meet the tested performance.  
 On the exterior side the full range of snap trim trim and pan selection is available for cosmetic purposes.  
 A PVC frame filler is not available at this time.

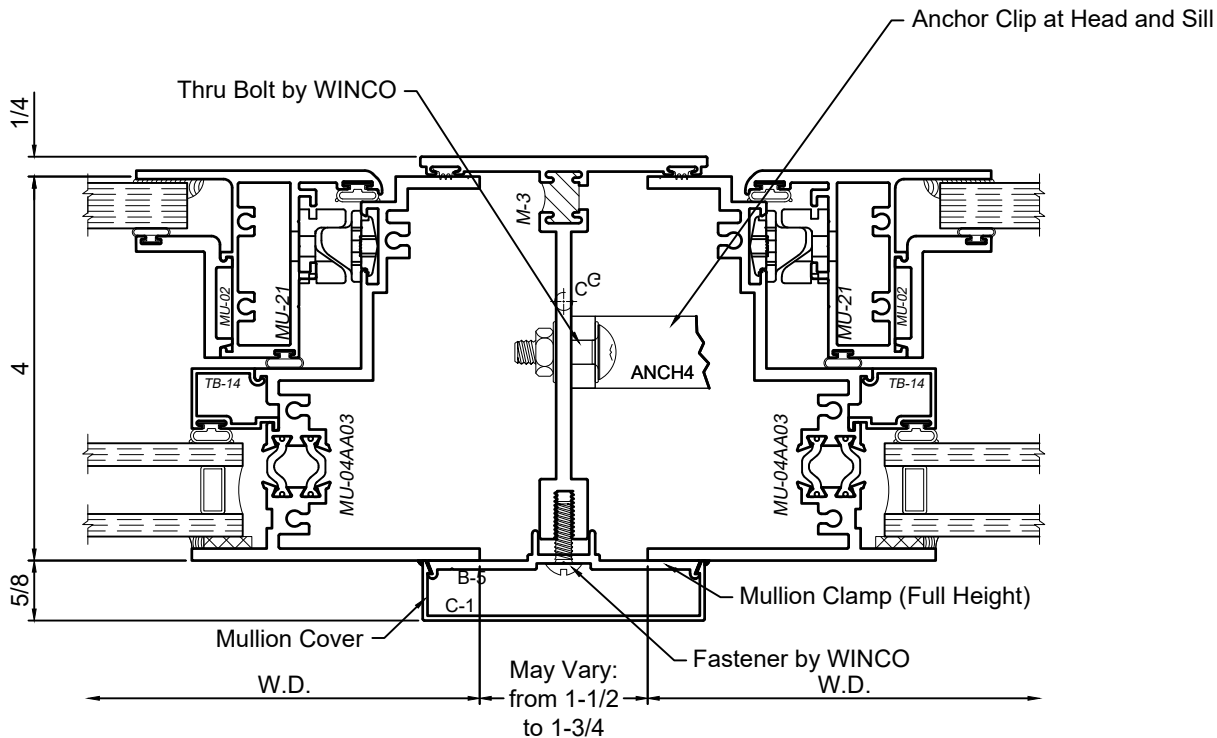
SCALE 6"=1'-0"

### M-3 Mullion set from Building Interior



WINCO RESERVES THE RIGHT TO MODIFY OR CHANGE INFORMATION WITHIN THIS BOOK WHEN DEEMED NECESSARY FOR PRODUCT IMPROVEMENT

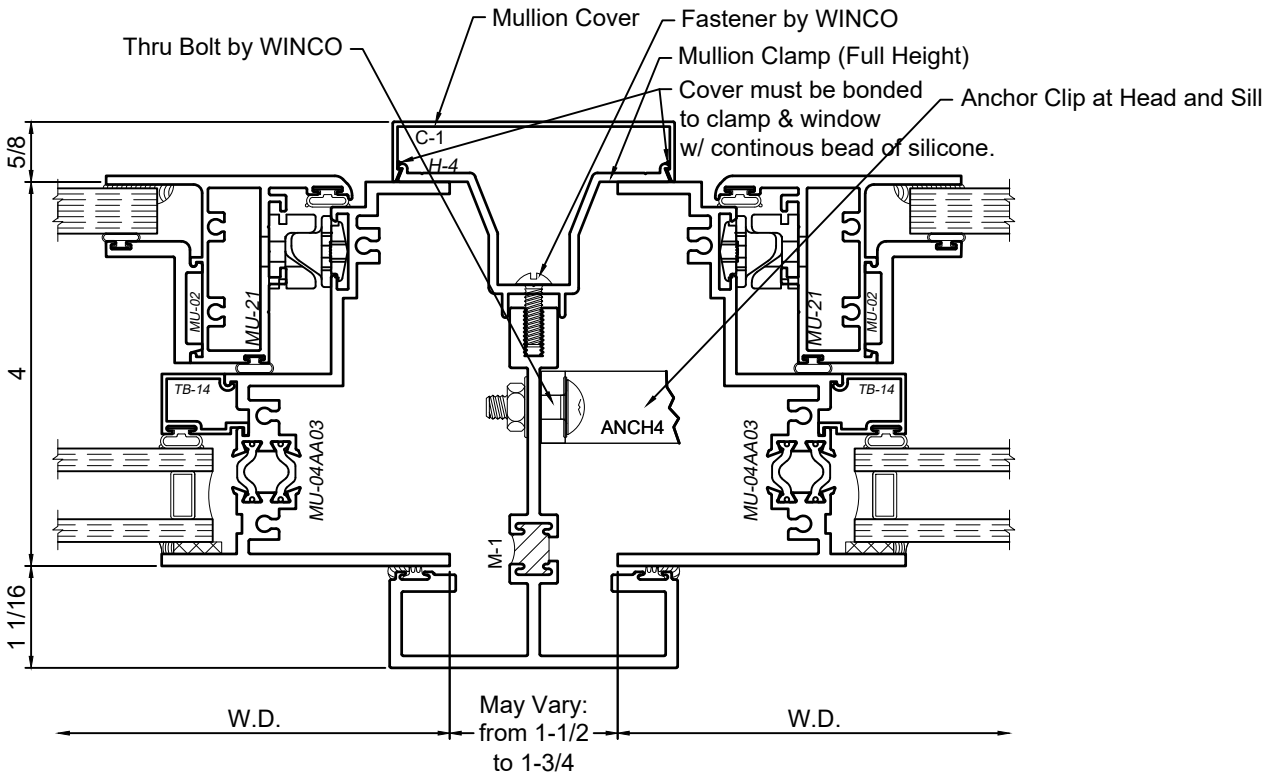
### M-3 Mullion set from Building Exterior



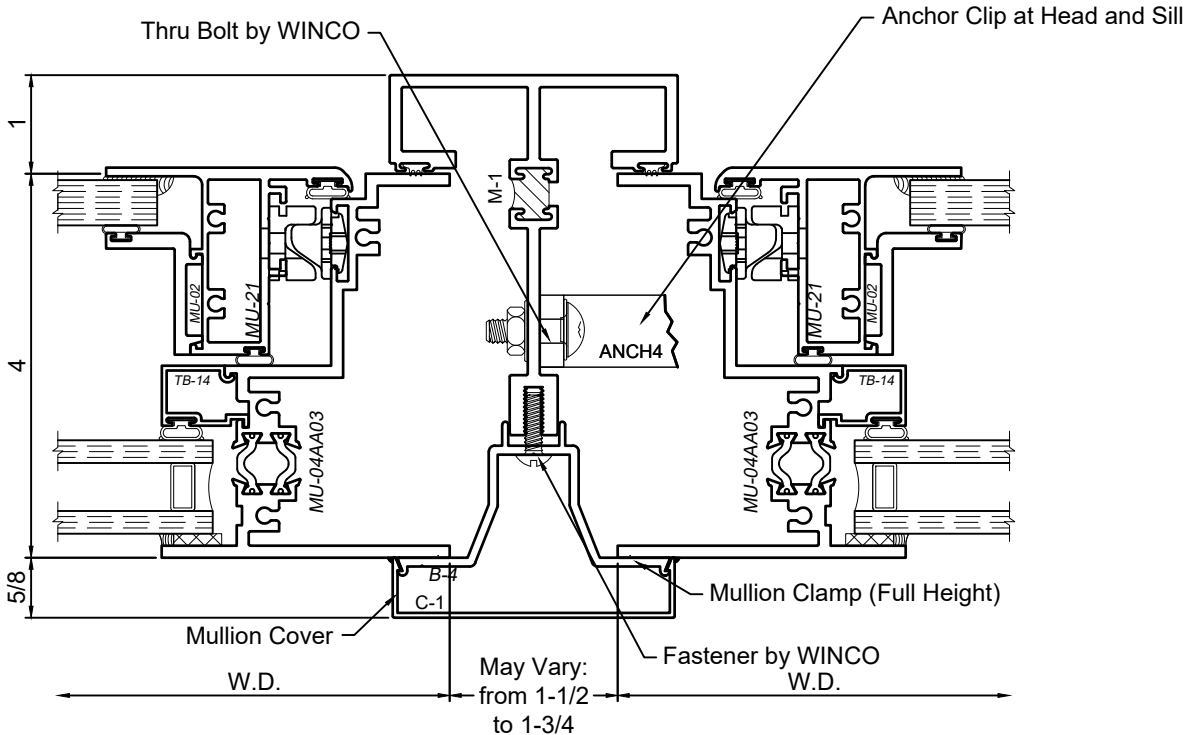
© WINCO WINDOW COMPANY, INC. 2021

SCALE 6"=1'-0"

### M-1 Mullion set from Building Interior



### M-1 Mullion set from Building Exterior

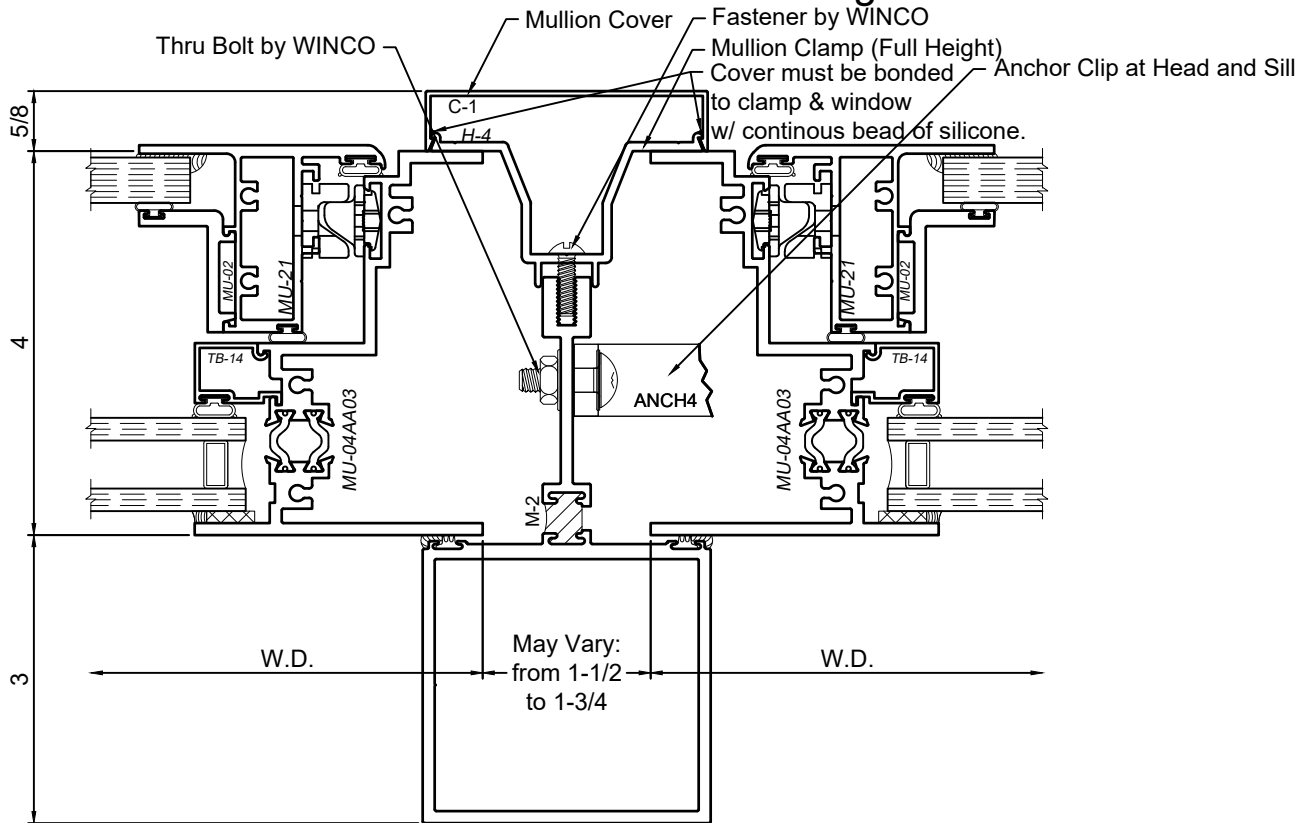


SCALE 6"=1'-0"

WINCO RESERVES THE RIGHT TO MODIFY OR CHANGE INFORMATION WITHIN THIS BOOK WHEN DEEMED NECESSARY FOR PRODUCT IMPROVEMENT

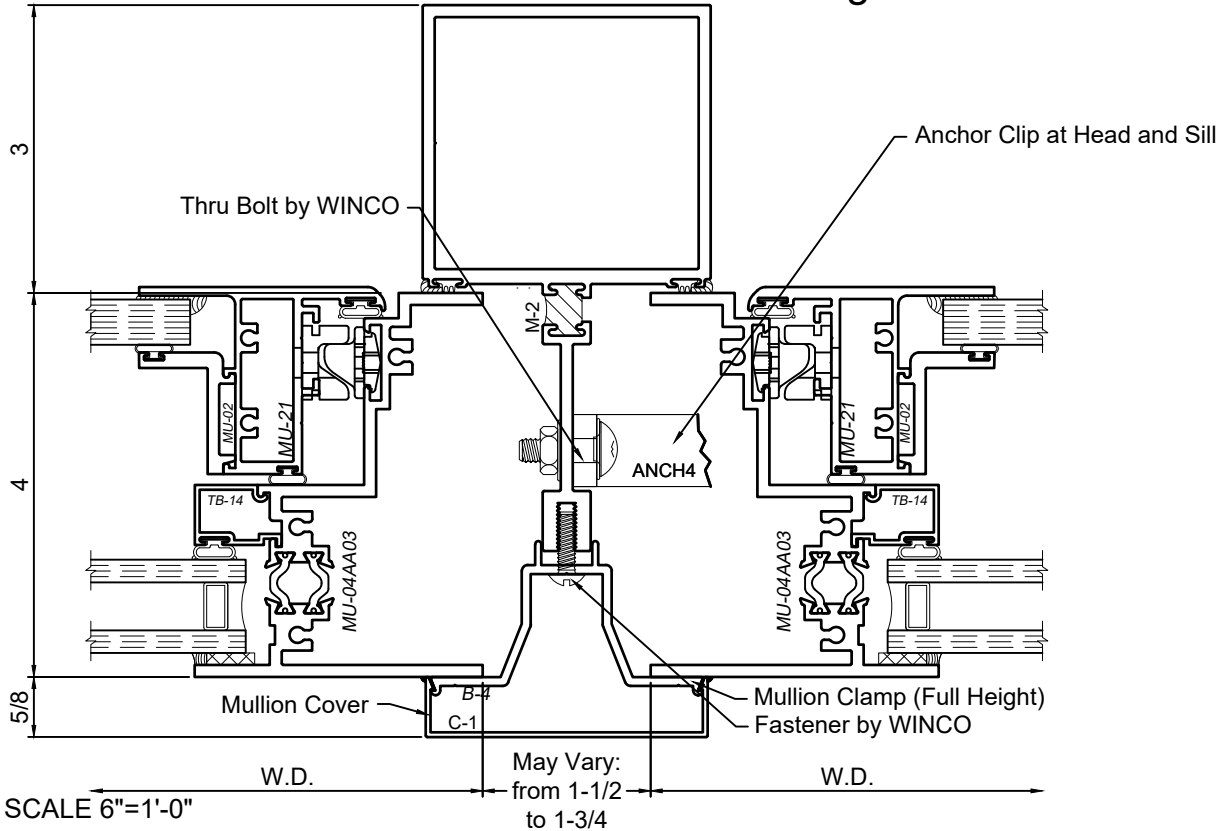
© WINCO WINDOW COMPANY, INC. 2021

### M-2 Mullion set from Building Interior



WINCO RESERVES THE RIGHT TO MODIFY OR CHANGE INFORMATION WITHIN THIS BOOK WHEN DEEMED NECESSARY FOR PRODUCT IMPROVEMENT

### M-2 Mullion set from Building Exterior



© WINCO WINDOW COMPANY, INC. 2021

SCALE 6"=1'-0"