

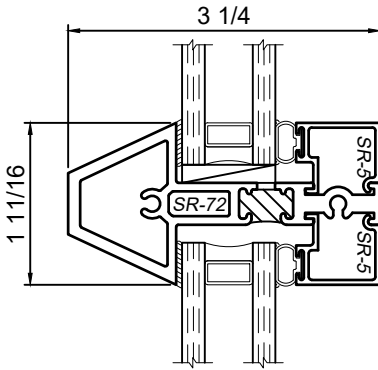
# 3250 Series 3-1/4" Thermal Fixed, Casement & Projected Windows

## Product Details - Rail Options

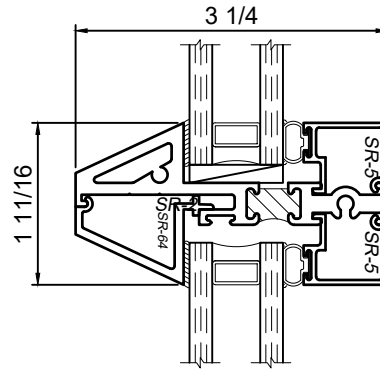


Note: Multiple configurations of this window system are available. Refer to the WINCO website for additional options or contact your local WINCO Sales Representative for information.

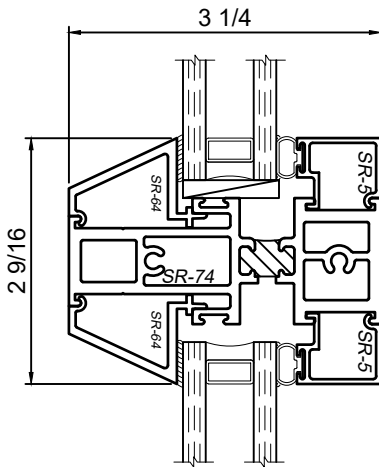
WINCO RESERVES THE RIGHT TO MODIFY OR CHANGE INFORMATION WITHIN THIS BOOK WHEN DEEMED NECESSARY FOR PRODUCT IMPROVEMENT



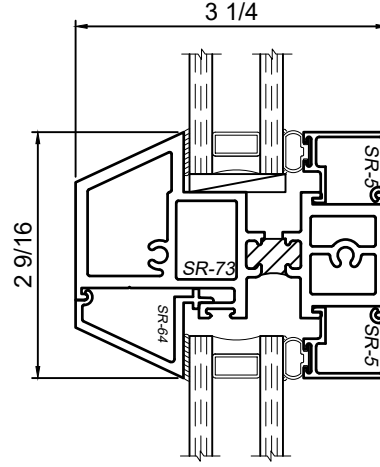
Standard Rail  
(All Lights Fixed)



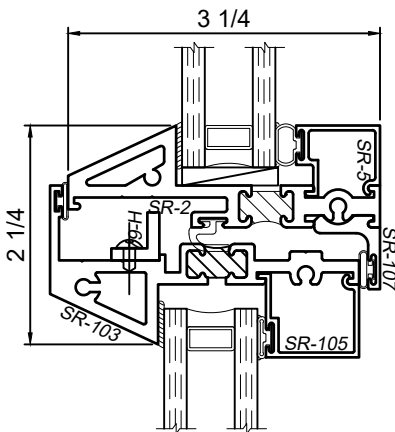
Standard Rail  
(Adjacent Fixed over Vent)



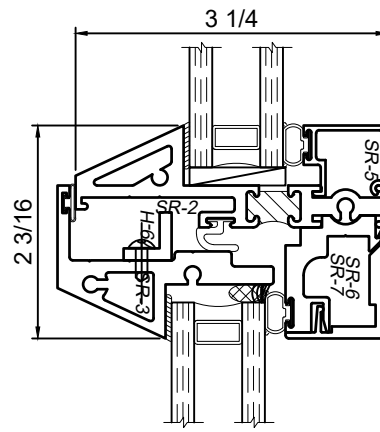
Heavy Duty Rail



Heavy Duty Rail



Standard Sash SR-103  
in Heavy Duty Rail  
(Cam Locks Only)



Optional Sash SR-3  
in Heavy Duty Rail  
(Jamb Mounted Lift Locks Only)

SCALE 6"=1'-0"

© WINCO WINDOW COMPANY, INC. 2021