

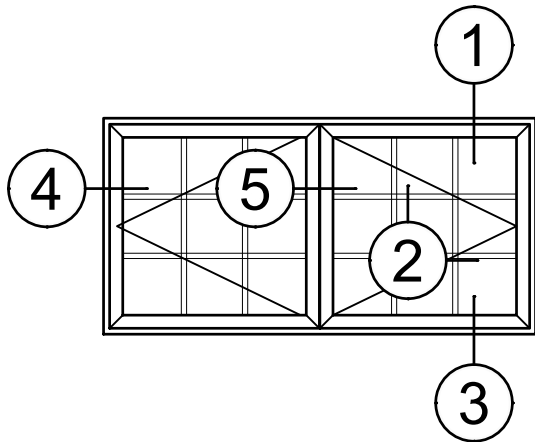
3250 Series 3-1/4" Thermal Fixed, Casement & Projected Windows

Product Details - Butterfly Casement - Outswing

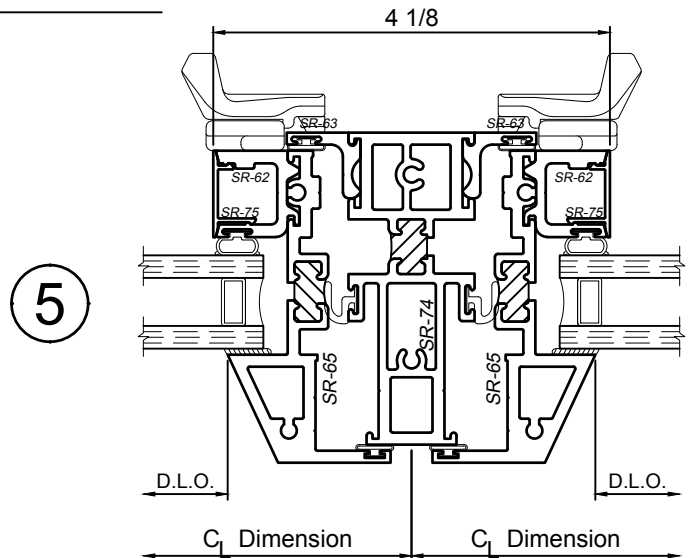
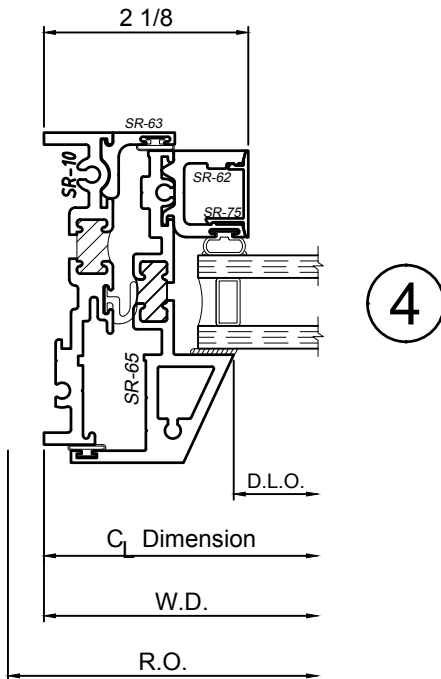
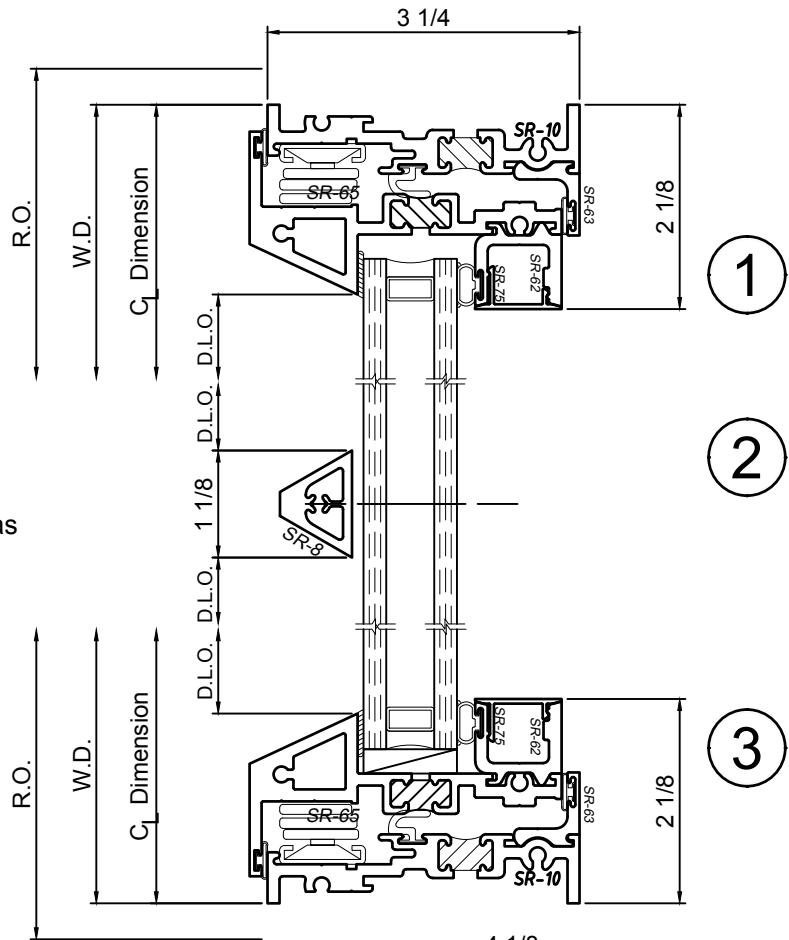


Note: Multiple configurations of this window system are available. Refer to the WINCO website for additional options or contact your local WINCO Sales Representative for information.

WINCO RESERVES THE RIGHT TO MODIFY OR CHANGE INFORMATION WITHIN THIS BOOK WHEN DEEMED NECESSARY FOR PRODUCT IMPROVEMENT



Casement available in PO only.
 Concealed 4-Bar Hinges only.
 Will not meet NFPA-101 code for means as secondary egress.



© WINCO WINDOW COMPANY, INC. 2018

SCALE 6"=1'-0"