

1150 Series 2" Thermal Fixed, Casement & Projected Windows

Product Information



WINCO RESERVES THE RIGHT TO MODIFY OR CHANGE INFORMATION WITHIN THIS BOOK WHEN DEEMED NECESSARY FOR PRODUCT IMPROVEMENT

PERFORMANCE

The Series 1150 window is a thermally broken mainframe and sash that exceeds the performance specification criteria as required by ANSI/AAMA for AW (Architectural Grade) windows.

Fixed			Project Out - Awning		
AAMA Rating	AW-100		AAMA Rating	AW-100	
Air Infiltration	0.0 CFM/ft ²		Air Infiltration	0.02 CFM/ft ²	
Water	Over 12 psf		Water	Over 12 psf	
Structural	150 psf		Structural	150 psf	
CRF (AAMA 1503)	65		CRF (AAMA 1503)	59	
Center of Glass U-Value	Window U-Factor ³		Center of Glass U-Value	Window U-Factor ³	
BTU/Ft ² x F° x Hr	47" x 59" ²	60" x 99" ¹	BTU/Ft ² x F° x Hr	59" x 24" ²	60" x 36" ¹
	0.20	0.27		0.45	0.39
	0.24	0.31		0.47	0.42
	0.29	0.35		0.5	0.45
	0.34	0.39		0.53	0.49
	0.47	0.5		0.6	0.57

Project In - Hopper			Casement		
AAMA Rating	AW-100		AAMA Rating	AW-80	
Air Infiltration	0.01 CFM/ft ²		Air Infiltration	0.07 CFM/ft ²	
Water	Over 12 psf		Water	Over 12 psf	
Structural	150 psf		Structural	120 psf	
CRF (AAMA 1503)	59		CRF (AAMA 1503)	59	
Center of Glass U-Value	Window U-Factor ³		Center of Glass U-Value	Window U-Factor ³	
BTU/Ft ² x F° x Hr	59" x 24" ²	60" x 36" ¹	BTU/Ft ² x F° x Hr	24" x 59" ²	36" x 60" ¹
	0.45	0.39		0.45	0.39
	0.47	0.42		0.47	0.42
	0.5	0.45		0.5	0.45
	0.53	0.49		0.53	0.49
	0.6	0.57		0.6	0.57

This Information is based on current product design, sealed dual glazing, warm edge spacers and testing standards.

Please contact WINCO for project specific information

¹ AAMA 101 Test Size

² NFRC Gateway Test Size

³ Based on NFRC 100

© WINCO WINDOW COMPANY, INC. 2021

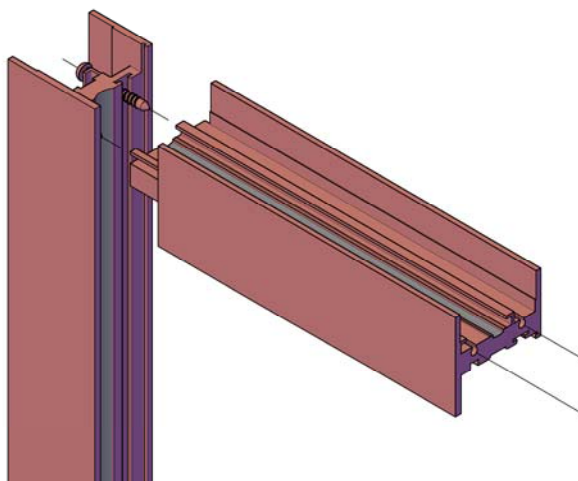
CONSTRUCTION

MATERIAL - The Series 1150 window is a 2" deep frame depth with a nominal wall thickness of .125 inch. All material is extruded from 6063-T6 alloy.

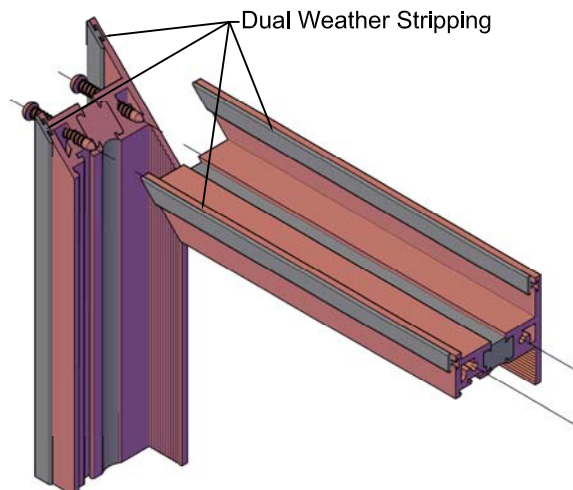
THERMAL BREAK - All framing members of the window system are thermally broken. Winco uses the Azon Azo Brader® process to mechanically condition the surface of the thermal cavity. The process runs the entire length of the extrusion and creates serrations that insure proper adhesion of the structural polymer. The structural urethane is a high density 2 part formula providing optimum thermal performance for the most demanding conditions. The combination of the conditioning of the aluminum surface along with the two part urethane allows Winco to provide a full 10 year warranty against thermal break creep and shrinkage in accordance with AAMA 505-98.

WEATHER-STRIP - All operating ventilators have a double Santoprene®, non-shrinking dual durometer, thermoplastic rubber weather-stripping around the perimeter. One interior and one exterior.

FABRICATION - The main frame corners are coped and mechanically joined using two stainless steel spline screws per corner (fig 1). The vent is a hollow tube shaped extrusion for superior strength and rigidity. Vent corners are fully mitered and mechanically joined using two stainless steel spline screws per corner, aligning the members to form a hairline joint (fig 2). All frame joints are back sealed with small joint seam sealer providing a water tight joinery.



(fig 1) Main Frame Construction



(fig 2) Vent Construction

WINCO RESERVES THE RIGHT TO MODIFY OR CHANGE INFORMATION WITHIN THIS BOOK WHEN DEEMED NECESSARY FOR PRODUCT IMPROVEMENT

© WINCO WINDOW COMPANY, INC. 2021

1150 Series 2" Thermal Fixed, Casement & Projected Windows

Product Information



WINCO RESERVES THE RIGHT TO MODIFY OR CHANGE INFORMATION WITHIN THIS BOOK WHEN DEEMED NECESSARY FOR PRODUCT IMPROVEMENT

GLAZING

The windows can be interior or exterior glazed with .050 thick extruded aluminum glazing beads accommodating thicknesses from 1/4" up to 1 1/2". Dual or triple glazing is an option utilizing an interior panel sash that can either be hinged with 4-bar stainless steel hinges or a more economical take out sash. Venetian blinds are available with the dual or triple glazed window options. See the quick reference chart below for all glazing options. For actual details refer to the glazing section in the back of the 1150 section for optional glazing and blind details.

Glazing Thickness	1/8"	3/16"	1/4"	5/16"	3/8"	1/2"	9/16"	5/8"	3/4"	7/8"	1"	1-1/4"	1-3/8"	1-1/2"
Monolithic	X	X	X	X	X	X	X	-	-	-	-	-	-	-
Insulated	-	-	-	-	-	-	-	X	-	X	X	X	X	X
Dual Glazed	Exterior	-	X	X	-	-	-	X	-	-	-	-	-	-
	Interior	X	X	X	-	X	X	X	-	-	-	-	-	-
Triple Glazed	Exterior	-	-	-	-	-	-	X	-	-	X	-	-	-
	Interior	X	X	X	-	X	X	X	-	-	-	-	-	-

Winco has different gaskets and glazing methods that can accommodate odd thicknesses of glass. If you do not see what you are looking for within this chart please contact your local representative for information regarding your specific project needs.

HARDWARE

All exposed locking hardware, strikes and keepers are solid white bronze alloy with US25D brushed finish. All four bar arms, casement arms, friction arms and key release limit arms are stainless steel conforming to AAMA 904.1. Five knuckle butt hinges are fabricated of 6063-T6 aluminum with nylon bushings and a stainless steel hinge pin.

Window Type	Butt Hinge	4-Bar Arms	Casement Arms	Friction Adjustable	Roto Operator	Cam Lock	Pole Ring Cam Lock	Access Control Lock	Lift Lock	Pole Ring Lift Lock	Pull Handle	Key Release Limit Arm	Fixed Limit Stop	Under Screen Push Bar
PO - Awning	-	X	-	-	O ²	X	O ³	O	O ²	O ²	X	O	O	O ⁵
PI - Hopper	-	X	-	-	-	X	O	O	O	O	-	O	O	-
Casement - Outswing w/ Butt Hinges	X	-	O	X	O ²	O	O ³	O	X	O	X	O	O	O ⁵
Casement - Inswing w/ Butt Hinges	X	-	O	X	-	O	O	O	X	O	-	O	O	-
Casement - Outswing w/ concealed Hinges	-	-	X	-	O ^{2,4}	O	O ³	O	O	O	X	O	O	O ^{2,5}
Casement - Inswing w/ concealed Hinges	-	-	X	-	-	O	O	O	X	O	-	O	O	-

X = Standard Hardware

O = Optional Hardware

Note:

- ¹ Not all hardware is compatible with each other, contact your local Winco representative for information
- ² Size limitations exist on some hardware, contact your local Winco representative for information
- ³ A pole ring pull will be provided on a project out vent is optional pole ring cam locks are required and no screen is furnished
- ⁴ Minimum width requirement for optional roto operators on casement windows with concealed casement arm hinging
- ⁵ Under screen push bars are not recommended by Winco if optimum water performance is a requirement

© WINCO WINDOW COMPANY, INC. 2021

SCREENS

FRAME - frames are fabricated from 6063-T6 extruded aluminum alloy and temper. All screen frames are miter cut and corner keyed. The corners are mechanically crimped together for durability. The screen frame is finished to match the window frame.

MESH - Standard .011 aluminum screen wire mesh is produced from 5154 alloy with 18x16 pattern in Charcoal or Aluminum color. All mesh is applied to the screen frame with a roller spline making for easy and quick replacements. Optional fiberglass or .009 stainless steel mesh is available as an option.

WINCO RESERVES THE RIGHT TO MODIFY OR CHANGE INFORMATION WITHIN
THIS BOOK WHEN DEEMED NECESSARY FOR PRODUCT IMPROVEMENT

© WINCO WINDOW COMPANY, INC. 2021

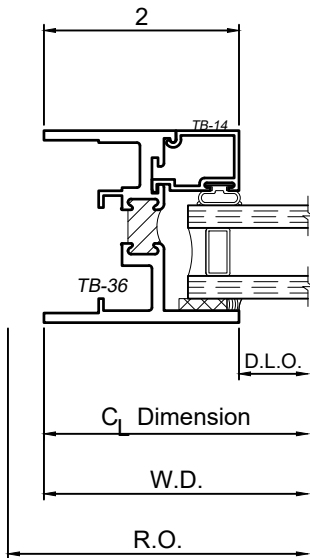
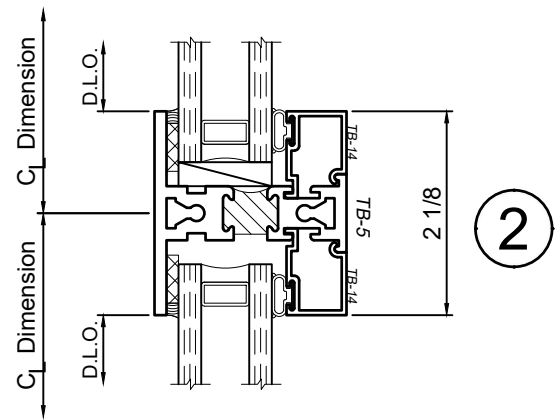
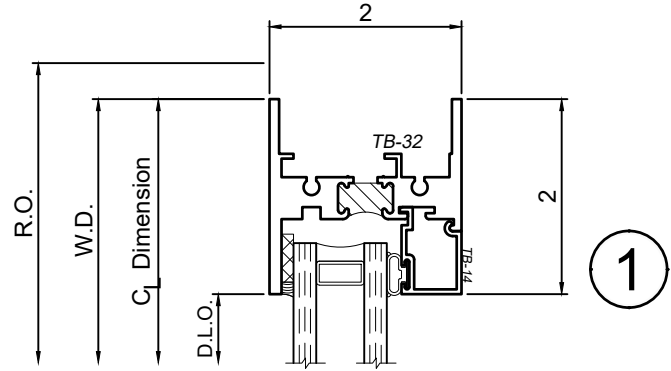
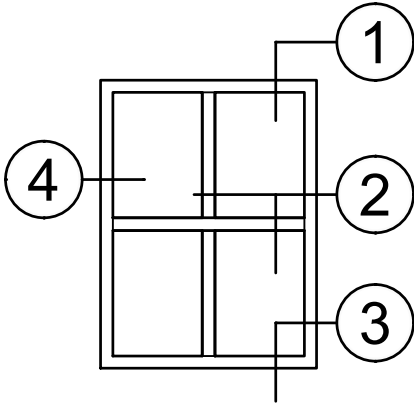
1150 Series 2" Thermal Fixed, Casement & Projected Windows

Product Details - Fixed - Picture Window

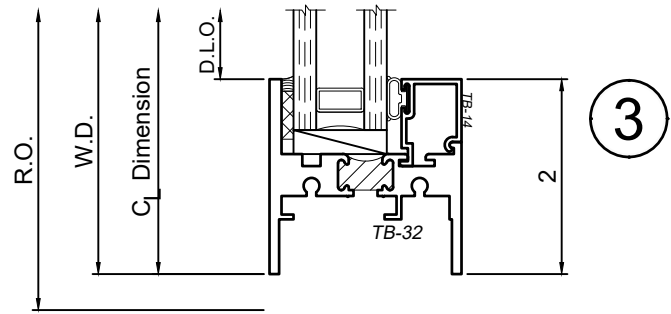


Note: Multiple configurations of this window system are available. Refer to the WINCO website for additional options or contact your local WINCO Sales Representative for information.

WINCO RESERVES THE RIGHT TO MODIFY OR CHANGE INFORMATION WITHIN THIS BOOK WHEN DEEMED NECESSARY FOR PRODUCT IMPROVEMENT



4



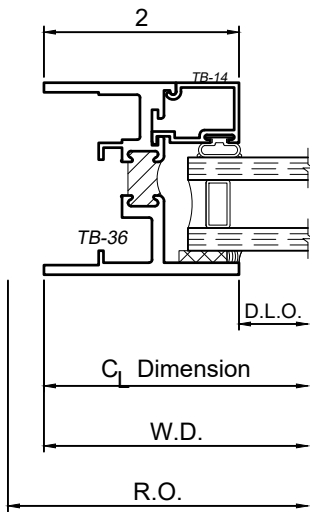
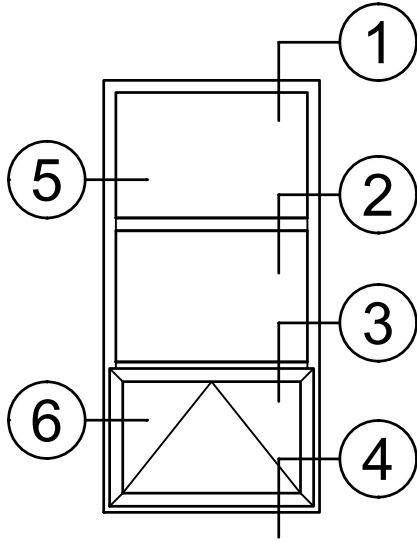
SCALE 6"=1'-0"

1150 Series 2" Thermal Fixed, Casement & Projected Windows

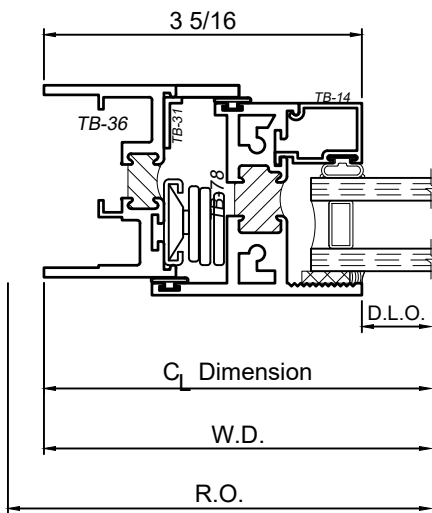
Product Details - Project Out - Awning



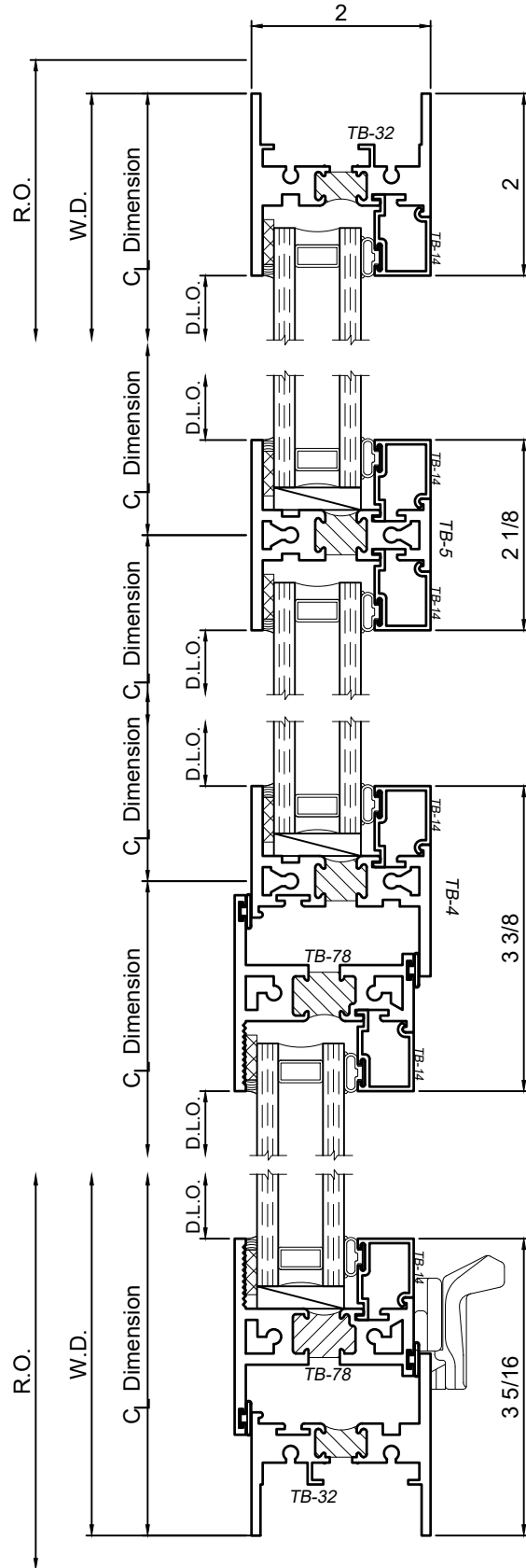
Note: Multiple configurations of this window system are available. Refer to the WINCO website for additional options or contact your local WINCO Sales Representative for information.



5



6



1

2

3

4

WINCO RESERVES THE RIGHT TO MODIFY OR CHANGE INFORMATION WITHIN THIS BOOK WHEN DEEMED NECESSARY FOR PRODUCT IMPROVEMENT

© WINCO WINDOW COMPANY, INC. 2021

SCALE 6"=1'-0"

1150 Series 2" Thermal Fixed, Casement & Projected Windows

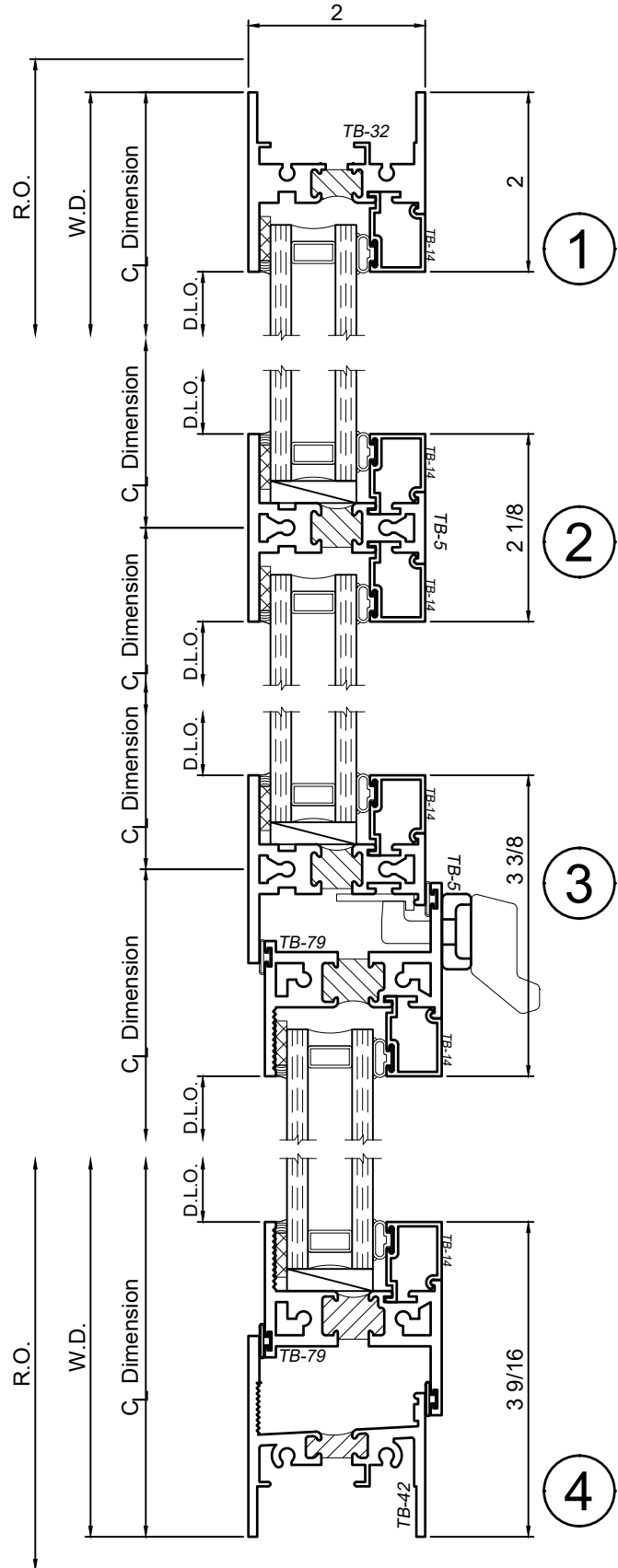
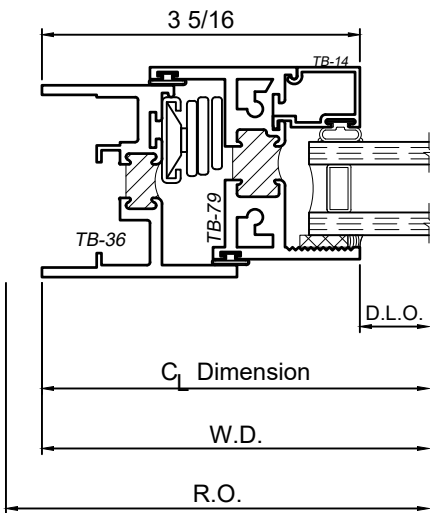
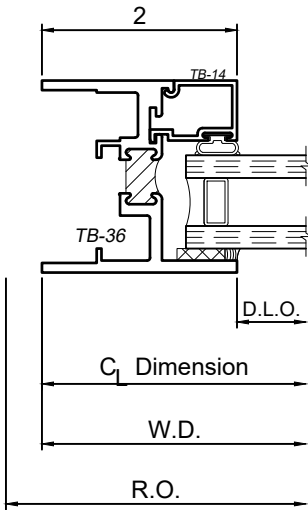
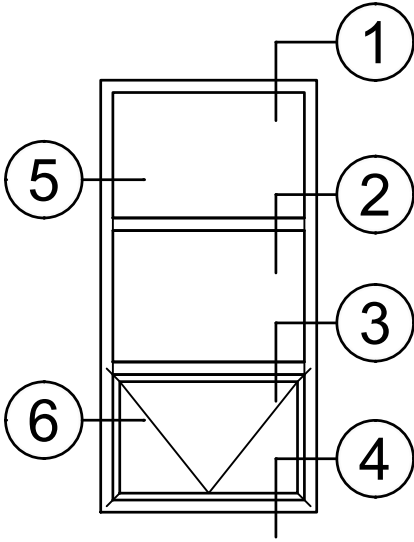
Product Details - Project In - Hopper



Note: Multiple configurations of this window system are available. Refer to the WINCO website for additional options or contact your local WINCO Sales Representative for information.

WINCO RESERVES THE RIGHT TO MODIFY OR CHANGE INFORMATION WITHIN THIS BOOK WHEN DEEMED NECESSARY FOR PRODUCT IMPROVEMENT

© WINCO WINDOW COMPANY, INC. 2021



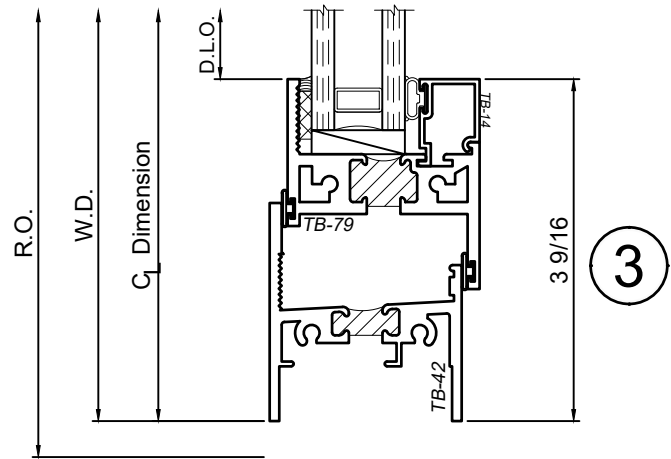
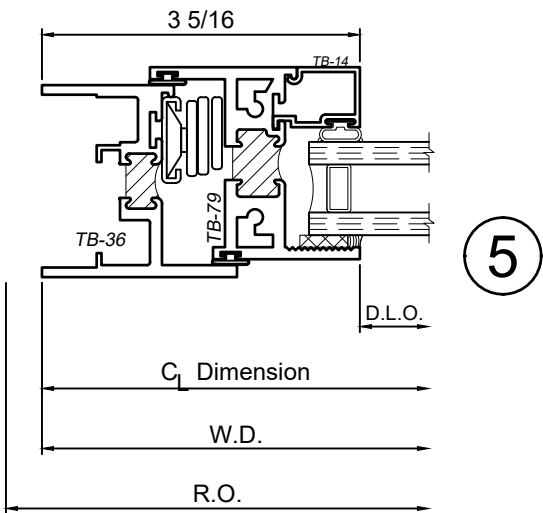
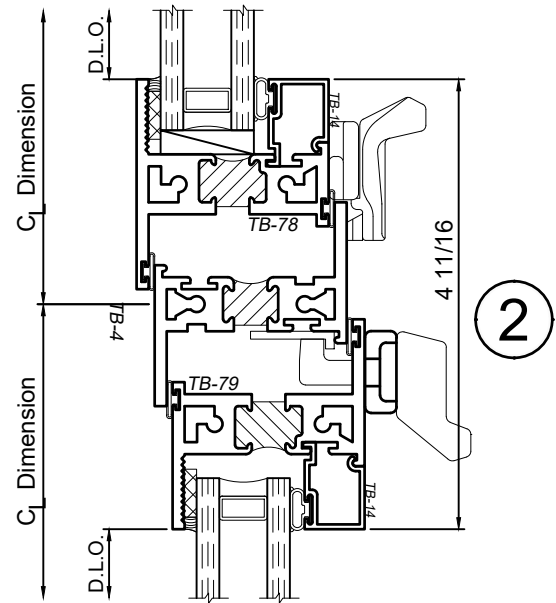
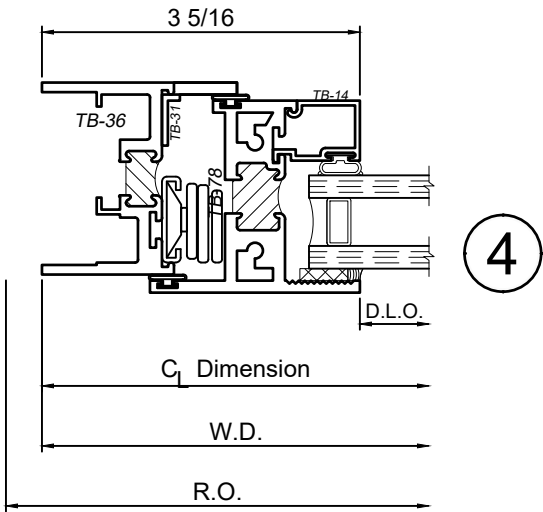
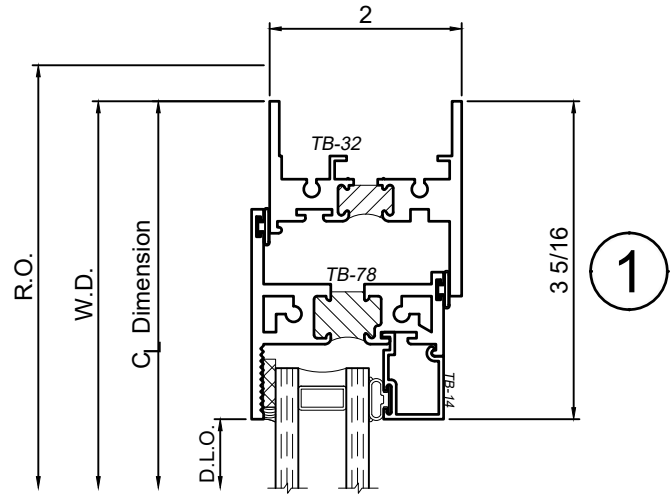
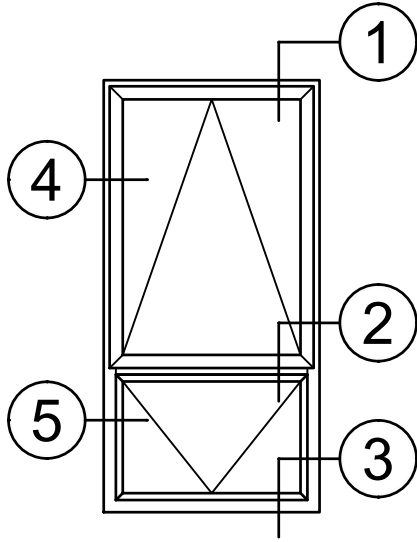
SCALE 6"=1'-0"

1150 Series 2" Thermal Fixed, Casement & Projected Windows

Product Details - PO|PI - Awning|Hopper



Note: Multiple configurations of this window system are available. Refer to the WINCO website for additional options or contact your local WINCO Sales Representative for information.



WINCO RESERVES THE RIGHT TO MODIFY OR CHANGE INFORMATION WITHIN THIS BOOK WHEN DEEMED NECESSARY FOR PRODUCT IMPROVEMENT

© WINCO WINDOW COMPANY, INC. 2021

SCALE 6"=1'-0"

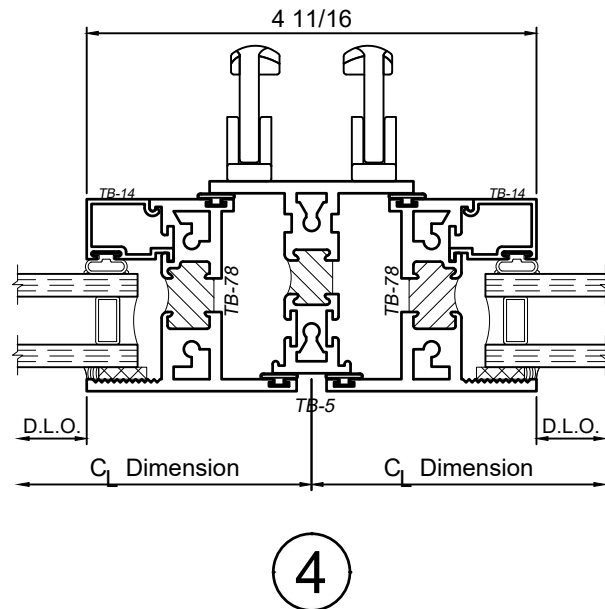
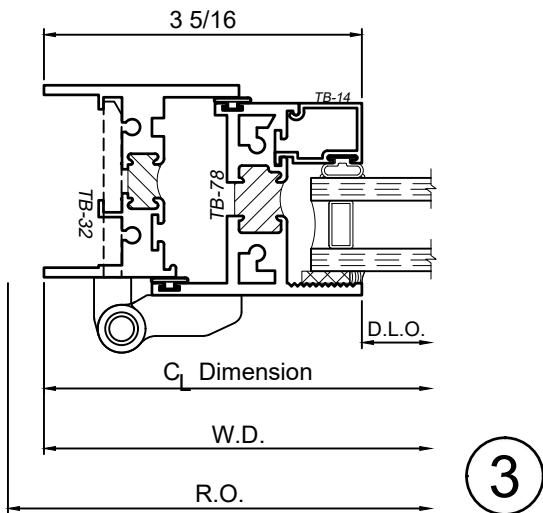
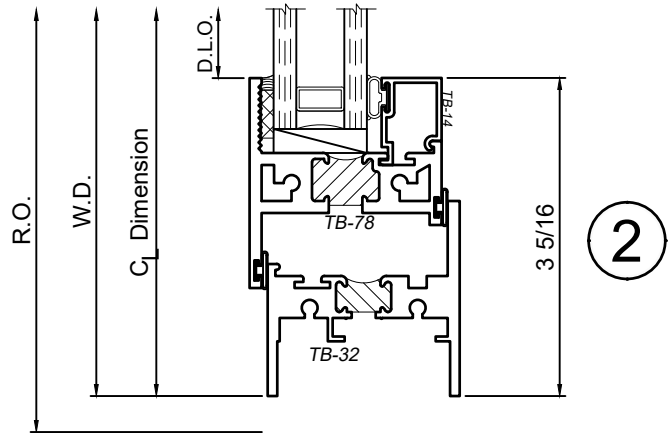
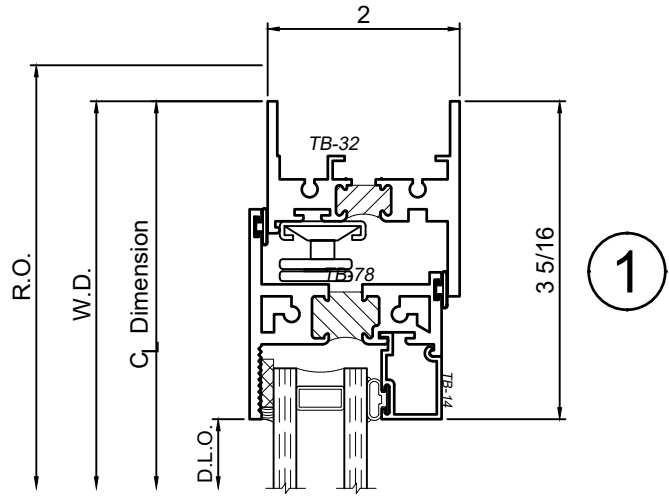
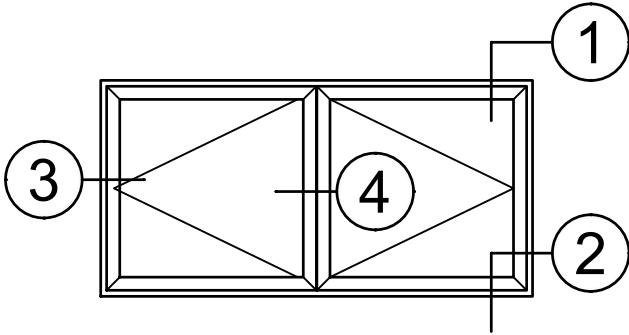
1150 Series 2" Thermal Fixed, Casement & Projected Windows

Product Details - Butterfly Casement - Outswing



Note: Multiple configurations of this window system are available. Refer to the WINCO website for additional options or contact your local WINCO Sales Representative for information.

WINCO RESERVES THE RIGHT TO MODIFY OR CHANGE INFORMATION WITHIN THIS BOOK WHEN DEEMED NECESSARY FOR PRODUCT IMPROVEMENT



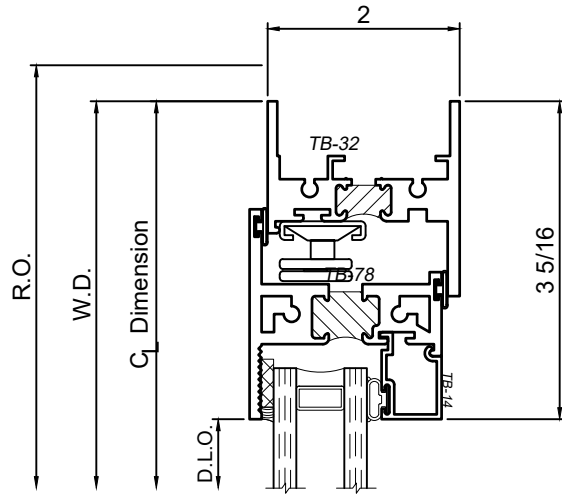
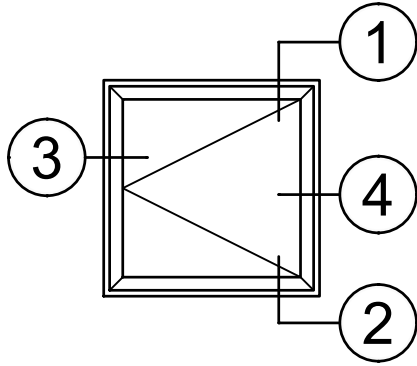
SCALE 6"=1'-0"

1150 Series 2" Thermal Fixed, Casement & Projected Windows

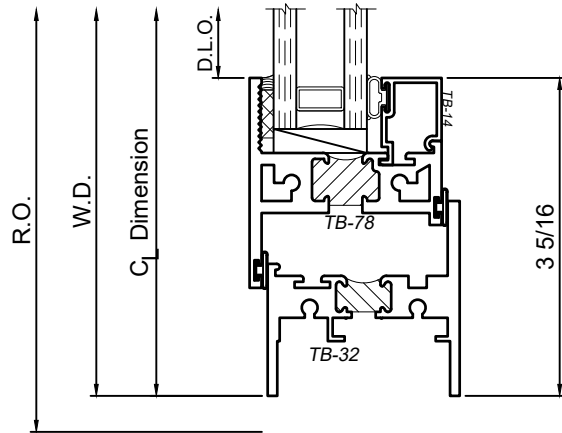
Product Details - Outswing Casement



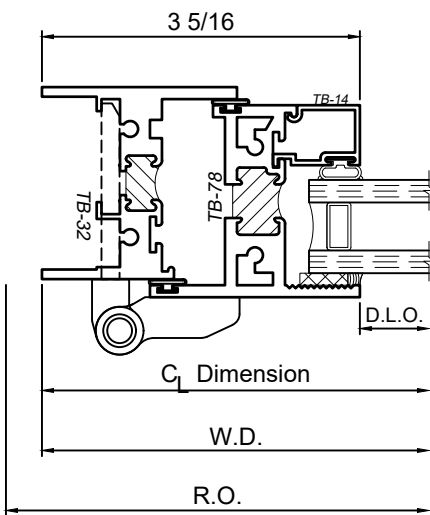
Note: Multiple configurations of this window system are available. Refer to the WINCO website for additional options or contact your local WINCO Sales Representative for information.



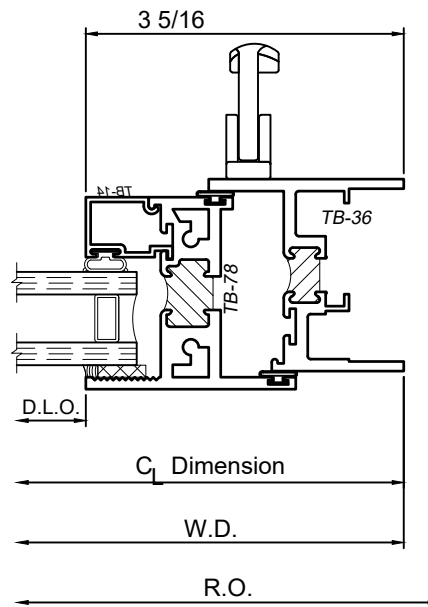
1



2



3



4

WINCO RESERVES THE RIGHT TO MODIFY OR CHANGE INFORMATION WITHIN THIS BOOK WHEN DEEMED NECESSARY FOR PRODUCT IMPROVEMENT

© WINCO WINDOW COMPANY, INC. 2021

SCALE 6"=1'-0"

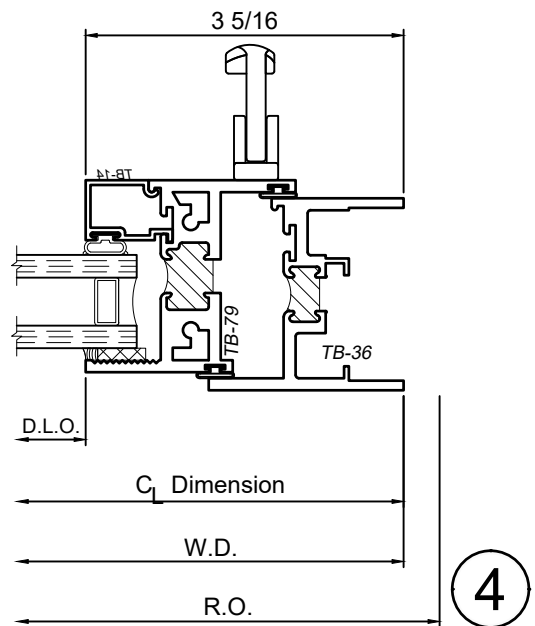
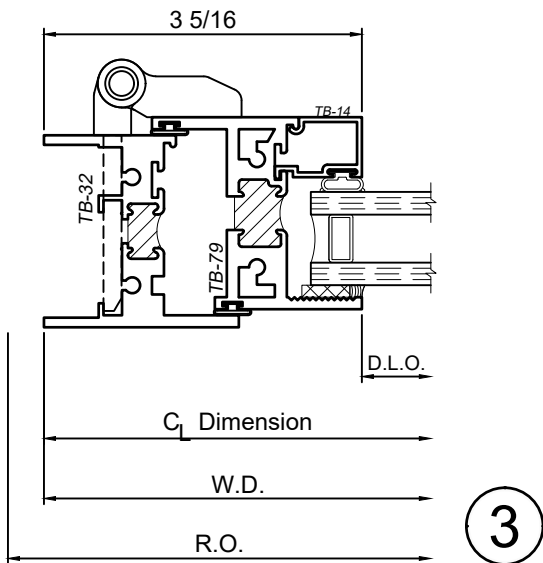
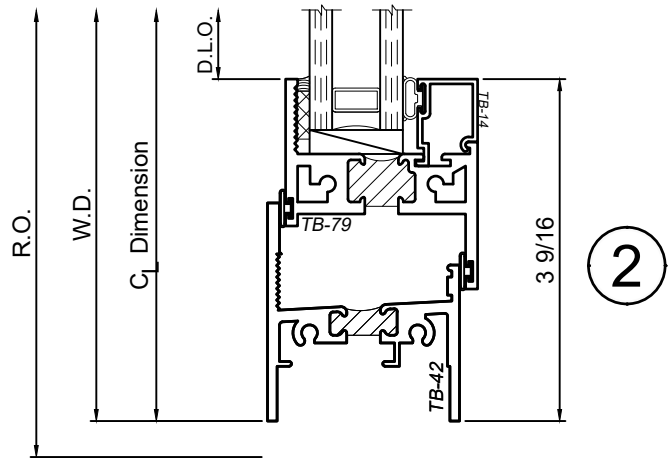
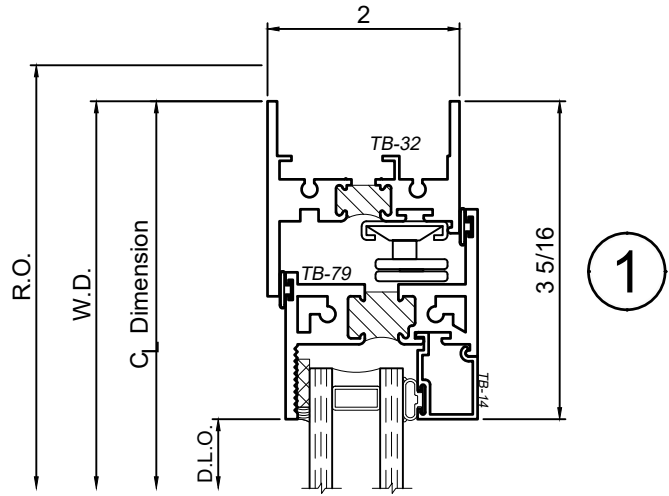
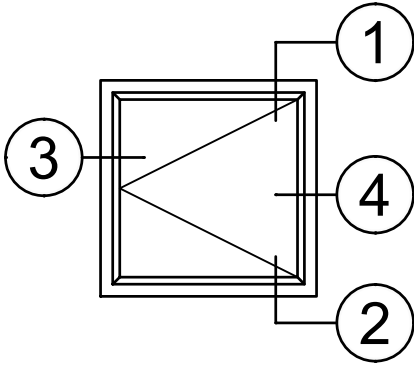
1150 Series 2" Thermal Fixed, Casement & Projected Windows

Product Details - Inswing Casement



Note: Multiple configurations of this window system are available. Refer to the WINCO website for additional options or contact your local WINCO Sales Representative for information.

WINCO RESERVES THE RIGHT TO MODIFY OR CHANGE INFORMATION WITHIN THIS BOOK WHEN DEEMED NECESSARY FOR PRODUCT IMPROVEMENT



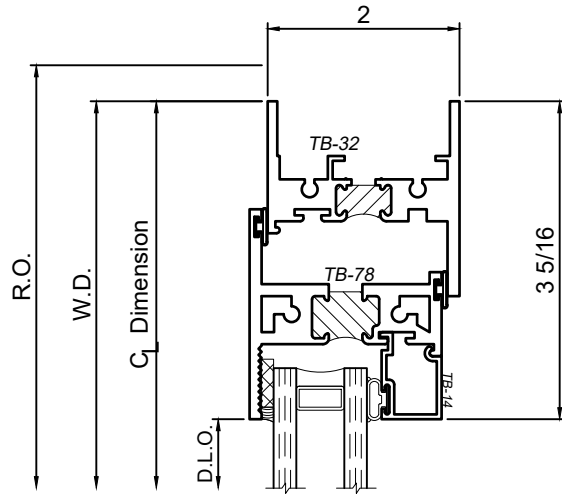
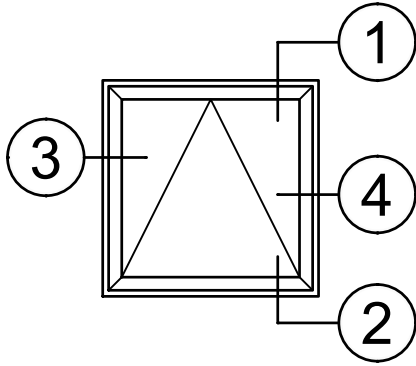
SCALE 6"=1'-0"

1150 Series 2" Thermal Fixed, Casement & Projected Windows

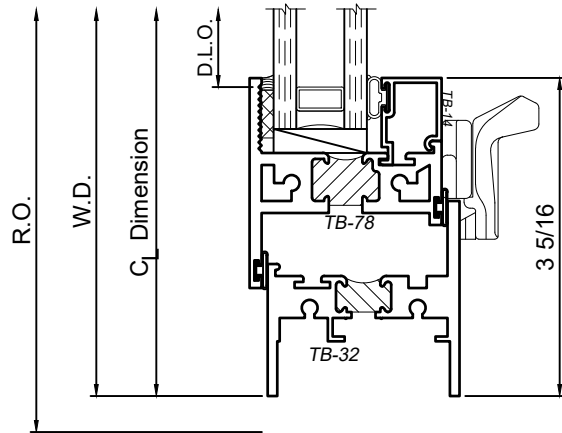
Product Details - Project Out - Awning



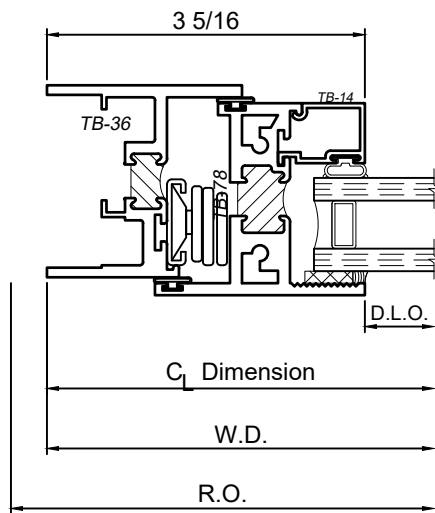
Note: Multiple configurations of this window system are available. Refer to the WINCO website for additional options or contact your local WINCO Sales Representative for information.



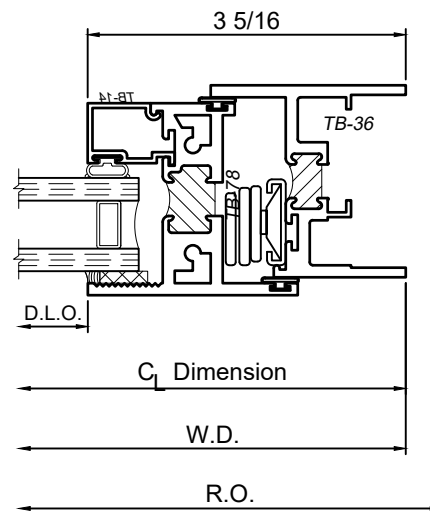
1



2



3



4

WINCO RESERVES THE RIGHT TO MODIFY OR CHANGE INFORMATION WITHIN THIS BOOK WHEN DEEMED NECESSARY FOR PRODUCT IMPROVEMENT

© WINCO WINDOW COMPANY, INC. 2021

SCALE 6"=1'-0"

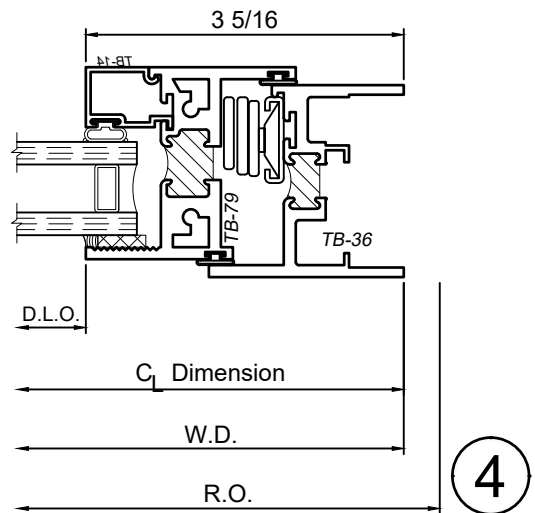
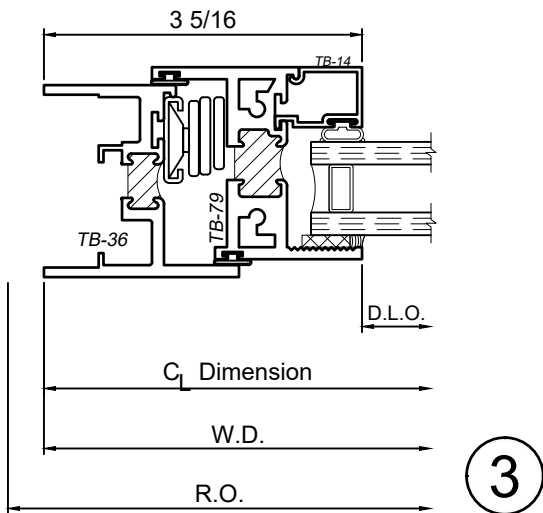
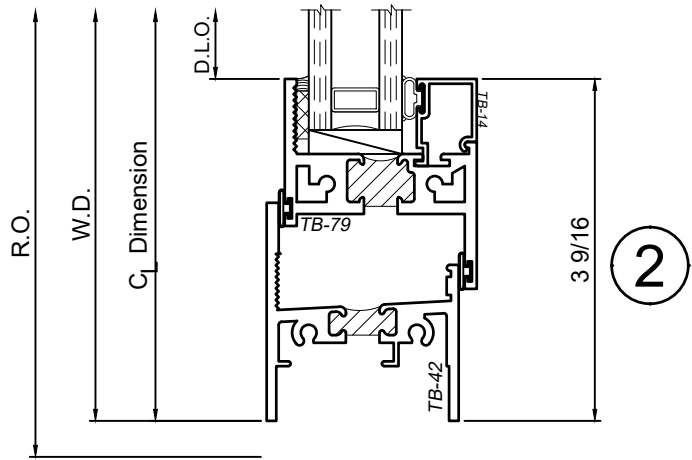
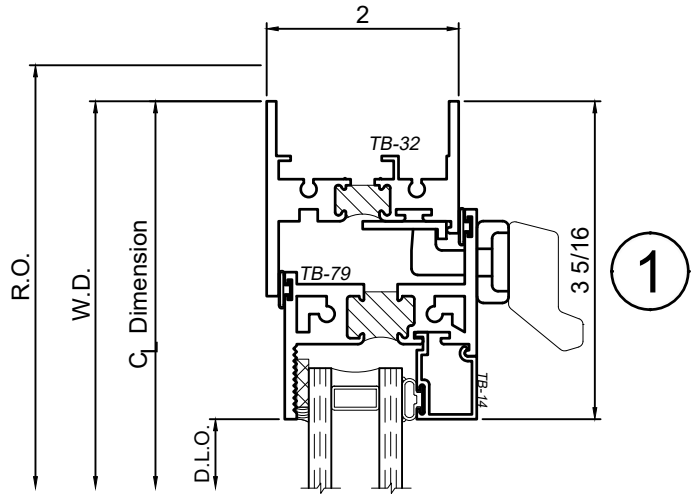
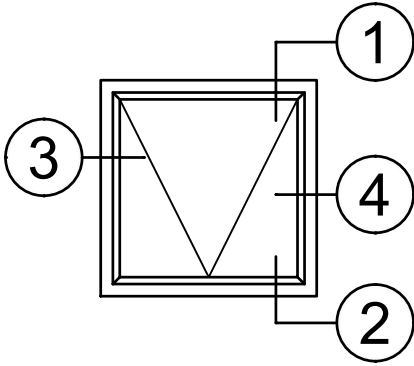
1150 Series 2" Thermal Fixed, Casement & Projected Windows

Product Details - Project In - Hopper



Note: Multiple configurations of this window system are available. Refer to the WINCO website for additional options or contact your local WINCO Sales Representative for information.

WINCO RESERVES THE RIGHT TO MODIFY OR CHANGE INFORMATION WITHIN THIS BOOK WHEN DEEMED NECESSARY FOR PRODUCT IMPROVEMENT



SCALE 6"=1'-0"

WINCO RESERVES THE RIGHT TO MODIFY OR CHANGE INFORMATION WITHIN
THIS BOOK WHEN DEEMED NECESSARY FOR PRODUCT IMPROVEMENT

This page is purposely left blank

© WINCO WINDOW COMPANY, INC. 2021

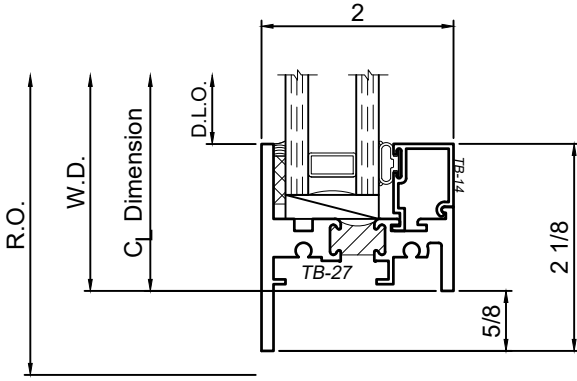
1150 Series 2" Thermal Fixed, Casement & Projected Windows

Product Details - Frame Options

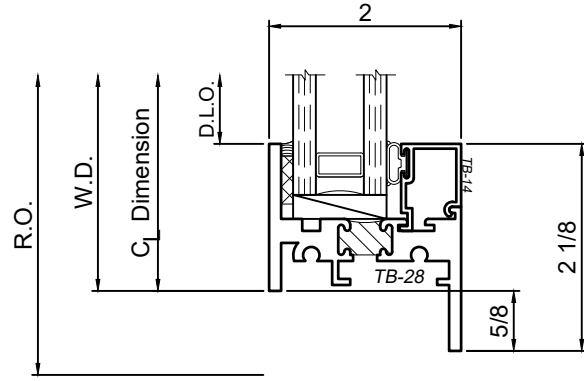


Note: Multiple configurations of this window system are available. Refer to the WINCO website for additional options or contact your local WINCO Sales Representative for information.

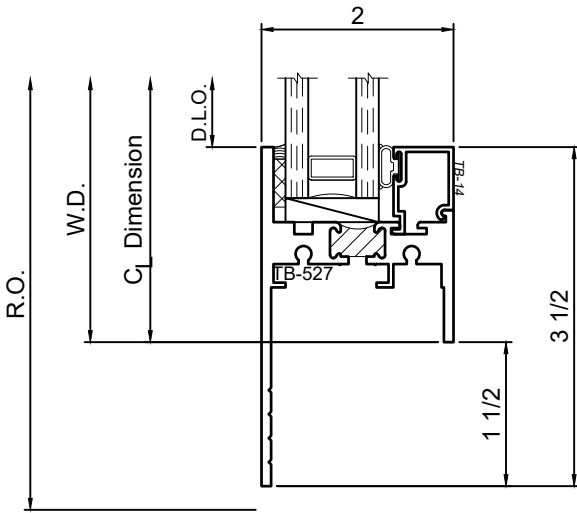
WINCO RESERVES THE RIGHT TO MODIFY OR CHANGE INFORMATION WITHIN THIS BOOK WHEN DEEMED NECESSARY FOR PRODUCT IMPROVEMENT



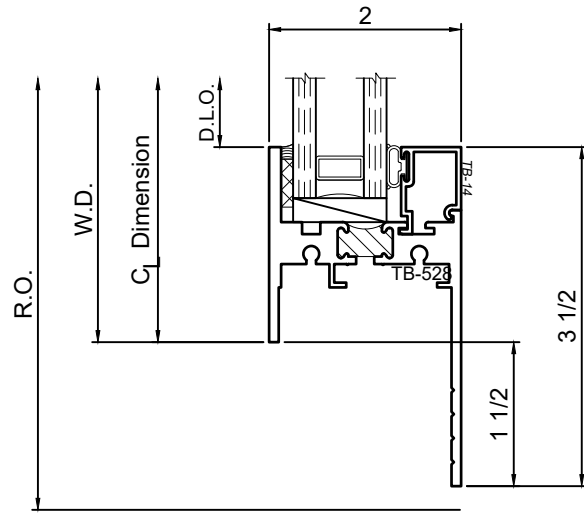
Available at head, jamb and sill



Available at head, jamb and sill



Available at head, jamb and sill



Available at head, jamb and sill

Note:
The Nominal Frame and
Centerline Dimensions are
taken to the Short Frame leg.

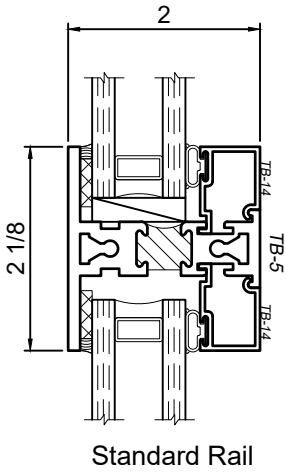
SCALE 6"=1'-0"

1150 Series 2" Thermal Fixed, Casement & Projected Windows

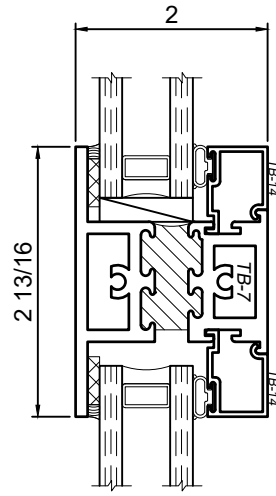
Product Details - Rail Options



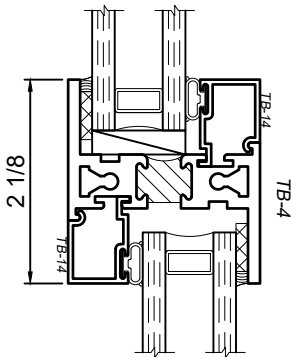
Note: Multiple configurations of this window system are available. Refer to the WINCO website for additional options or contact your local WINCO Sales Representative for information.



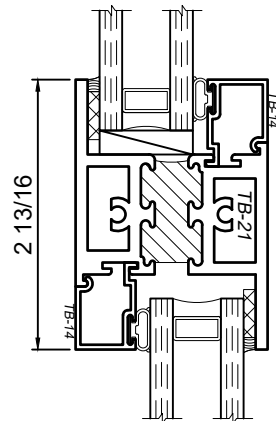
Standard Rail



Heavy Duty Rail



Standard Z - Rail



Heavy Duty Z - Rail

WINCO RESERVES THE RIGHT TO MODIFY OR CHANGE INFORMATION WITHIN THIS BOOK WHEN DEEMED NECESSARY FOR PRODUCT IMPROVEMENT

SCALE 6"=1'-0"

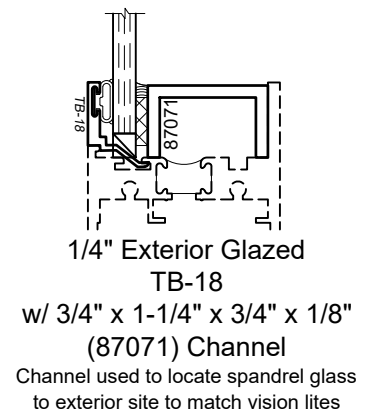
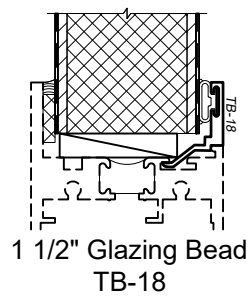
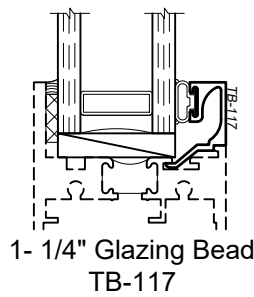
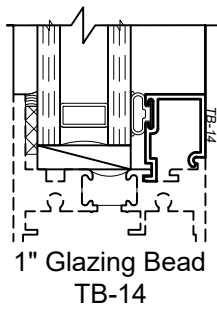
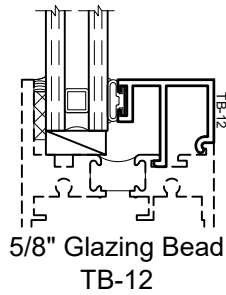
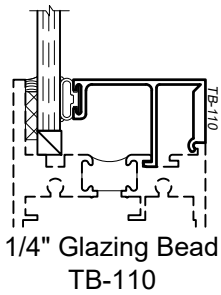
1150 Series 2" Thermal Fixed, Casement & Projected Windows

Product Details - Glazing Options

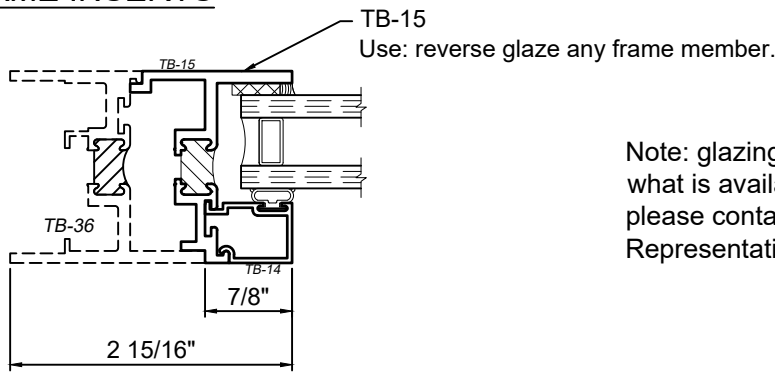


Note: Multiple configurations of this window system are available. Refer to the WINCO website for additional options or contact your local WINCO Sales Representative for information.

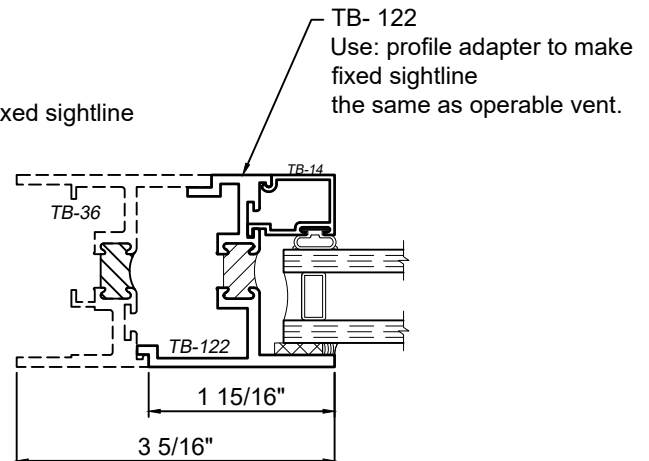
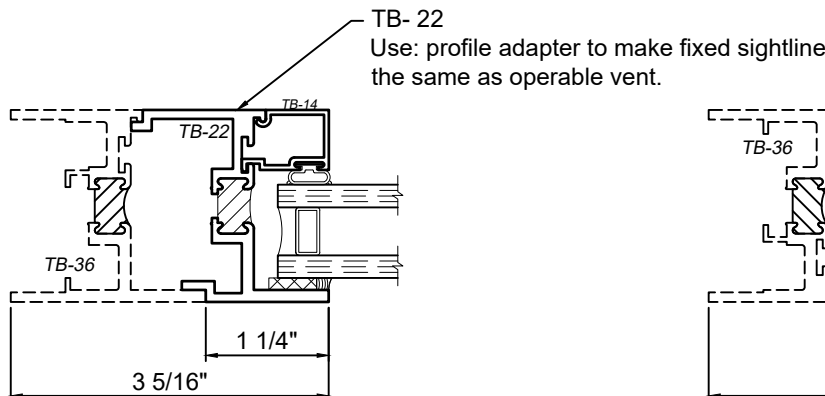
WINCO RESERVES THE RIGHT TO MODIFY OR CHANGE INFORMATION WITHIN THIS BOOK WHEN DEEMED NECESSARY FOR PRODUCT IMPROVEMENT



FRAME INSERTS



Note: glazing options shown are a sample of what is available. If desired glazing is not shown please contact your local Winco Sales Representative for additional information.



SCALE 6"=1'-0"

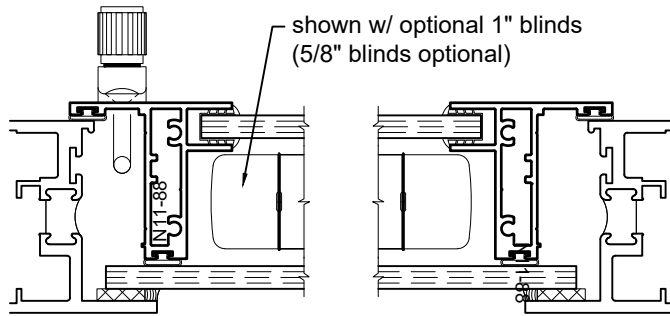
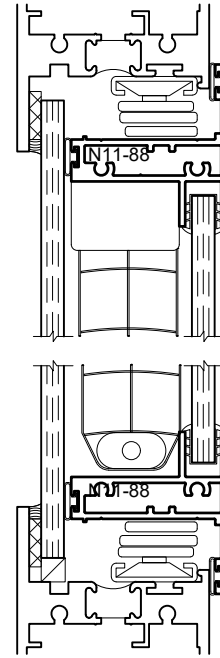
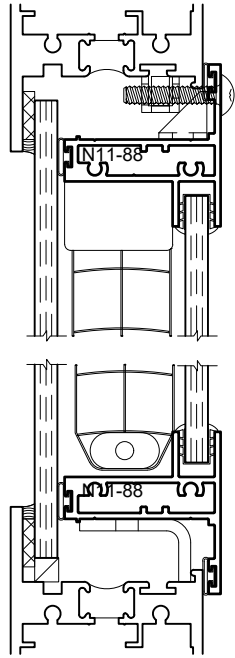
© WINCO WINDOW COMPANY, INC. 2021

1150 Series 2" Thermal Fixed, Casement & Projected Windows

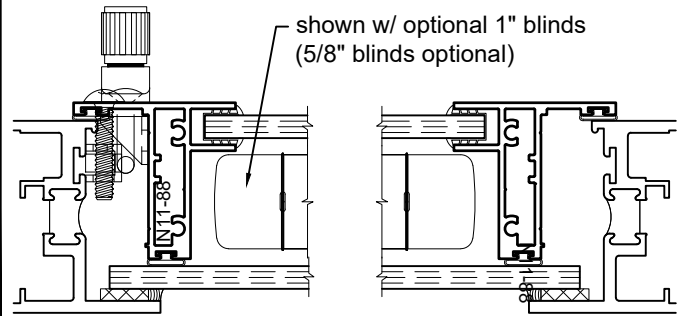
Product Details - Dual Glazed w/ Interior Sash



Note: Multiple configurations of this window system are available. Refer to the WINCO website for additional options or contact your local WINCO Sales Representative for information.

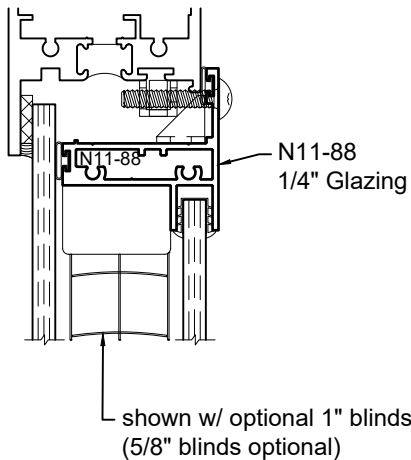


Dual Glazed w/ Take Out Sash - 65 Option



Dual Glazed w/ Hinged Sash - 75 Option

Dual Glazed Sash Options



SCALE 6"=1'-0"

WINCO RESERVES THE RIGHT TO MODIFY OR CHANGE INFORMATION WITHIN THIS BOOK WHEN DEEMED NECESSARY FOR PRODUCT IMPROVEMENT

© WINCO WINDOW COMPANY, INC. 2021

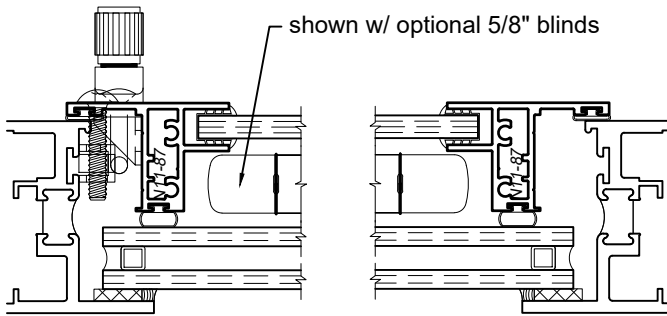
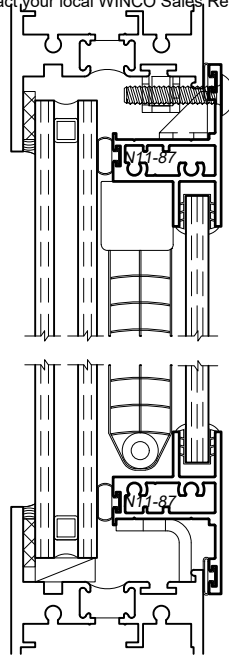
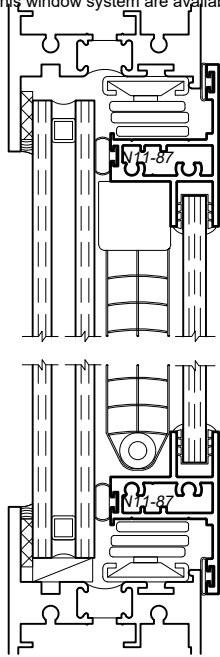
1150 Series 2" Thermal Fixed, Casement & Projected Windows

Product Details - Tripple Glazed w/ Interior Sash

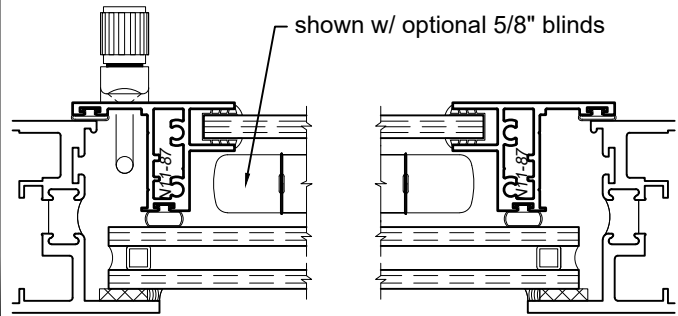


Note: Multiple configurations of this window system are available. Refer to the WINCO website for additional options or contact your local WINCO Sales Representative for information.

WINCO RESERVES THE RIGHT TO MODIFY OR CHANGE INFORMATION WITHIN THIS BOOK WHEN DEEMED NECESSARY FOR PRODUCT IMPROVEMENT

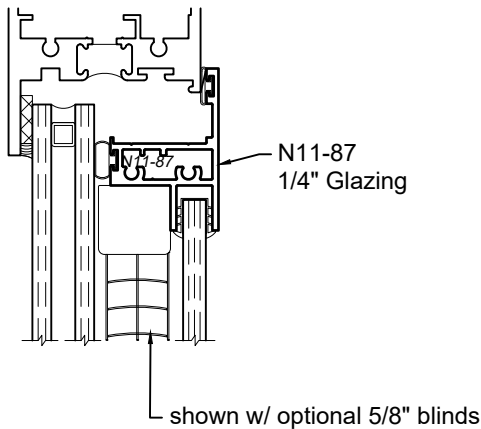


Triple Glazed w/ Hinged Sash - 85 Option



Triple Glazed w/ Take Out Sash - 95 Option

Triple Glazed Sash Options



© WINCO WINDOW COMPANY, INC. 2021

SCALE 6"=1'-0"

WINCO RESERVES THE RIGHT TO MODIFY OR CHANGE INFORMATION WITHIN
THIS BOOK WHEN DEEMED NECESSARY FOR PRODUCT IMPROVEMENT

This page is purposely left blank

© WINCO WINDOW COMPANY, INC. 2021

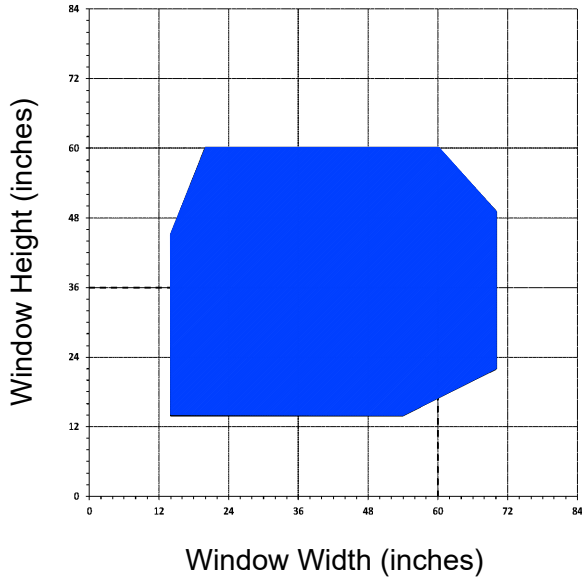
1150 Series 2" Thermal Fixed, Casement & Projected Windows

Projected Vent Size Capabilities Charts

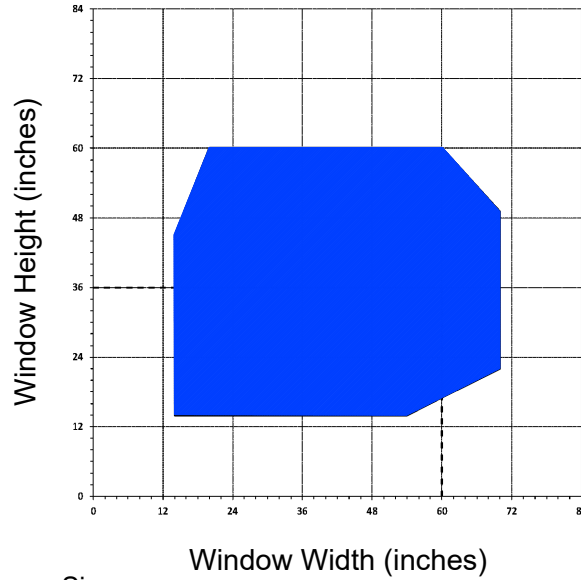


WINCO RESERVES THE RIGHT TO MODIFY OR CHANGE INFORMATION WITHIN THIS BOOK WHEN DEEMED NECESSARY FOR PRODUCT IMPROVEMENT

Projected In / Out with Four Bar Arms



Projected In / Out with Pivot Shoe Roto-Operator



----- AAMA Gateway Size

© WINCO WINDOW COMPANY, INC. 2021

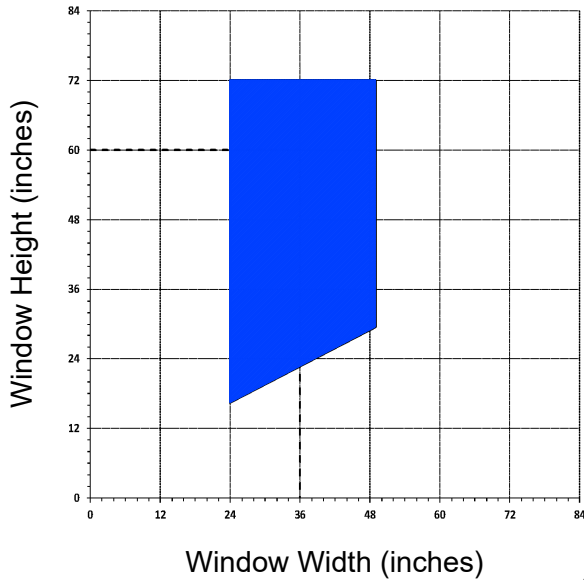
- Dashed line represents the gateway size window as tested by AAMA.
- All vent sizes are based upon 1" Insulated glass consisting of 1/4" glass - 1/2" air - 1/4" glass.
- Any vent size outside of the AAMA Gateway tested size may have reduced performance.
- Chart assumes the window has been installed in a properly prepared opening by a qualified installer.
- Individual job criteria such as: other glazing materials, specified wind load, and specific operating hardware; may enhance or restrict the chart.
- Minimum vent size is 14" x 14" with standard cam locks and 4-bar hinges.
- The chart is a general guideline for projected vent sizing, anything on the edge or outside of the range will need to be reviewed by Winco Engineering.

1150 Series 2" Thermal Fixed, Casement & Projected Windows

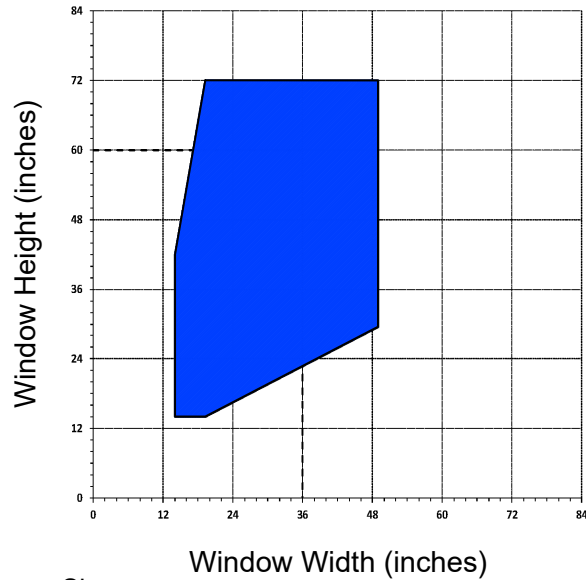
Casement Vent Size Capabilities Charts



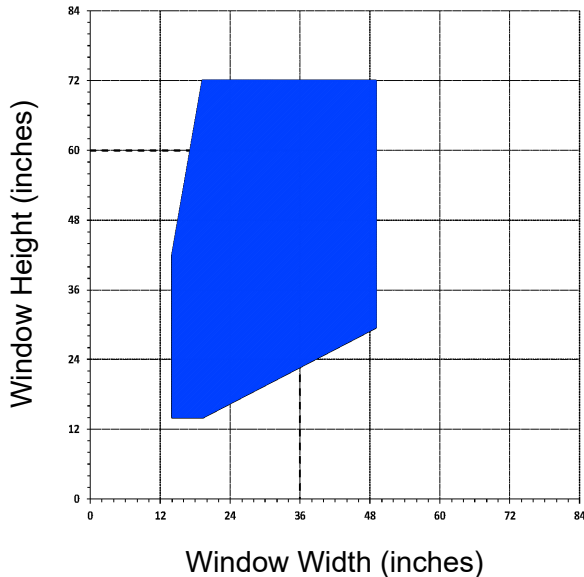
Casement with Roto-Operator
w/ 5 Knuckle Butt Hinge &
Multi Point Locks



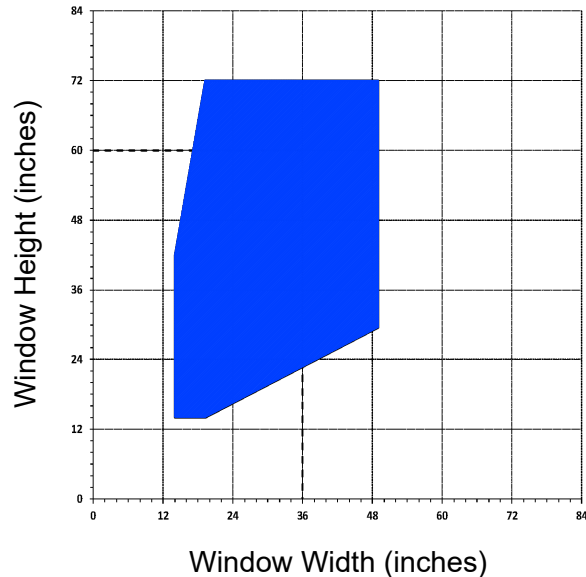
Casement with 5 Knuckle Butt
Hinge & Cam Locks



Casement with Concealed
Four Bar Casement Arm &
Multi Point Locks



Casement with Concealed
Four Bar Casement Arm &
Cam Locks



- Dashed line represents the gateway size window as tested by AAMA.
- All vent sizes are based upon 1" Insulated glass consisting of 1/4" glass - 1/2" air - 1/4" glass.
- Any vent size outside of the AAMA Gateway tested size may have reduced performance.
- Chart assumes the window has been installed in a properly prepared opening by a qualified installer.
- Individual job criteria such as: other glazing materials, specified wind load, and specific operating hardware; may enhance or restrict the chart.
- Minimum vent size is 14" x 14" with standard cam locks and 4-bar hinges.
- The chart is a general guideline for projected vent sizing, anything on the edge or outside of the range will need to be reviewed by Winco Engineering.

WINCO RESERVES THE RIGHT TO MODIFY OR CHANGE INFORMATION WITHIN THIS BOOK WHEN DEEMED NECESSARY FOR PRODUCT IMPROVEMENT

© WINCO WINDOW COMPANY, INC. 2021

1150 Series 2" Thermal Fixed, Casement & Projected Windows

Product Details - Vertical Stack - TB-36 / TB-69

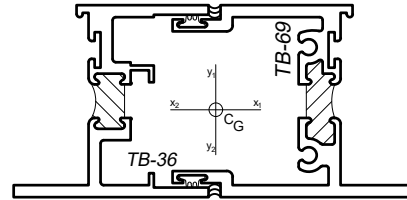


Note: Multiple configurations of this window system are available. Refer to the WINCO website for additional options or contact your local WINCO Sales Representative for information.

WINCO RESERVES THE RIGHT TO MODIFY OR CHANGE INFORMATION WITHIN THIS BOOK WHEN DEEMED NECESSARY FOR PRODUCT IMPROVEMENT

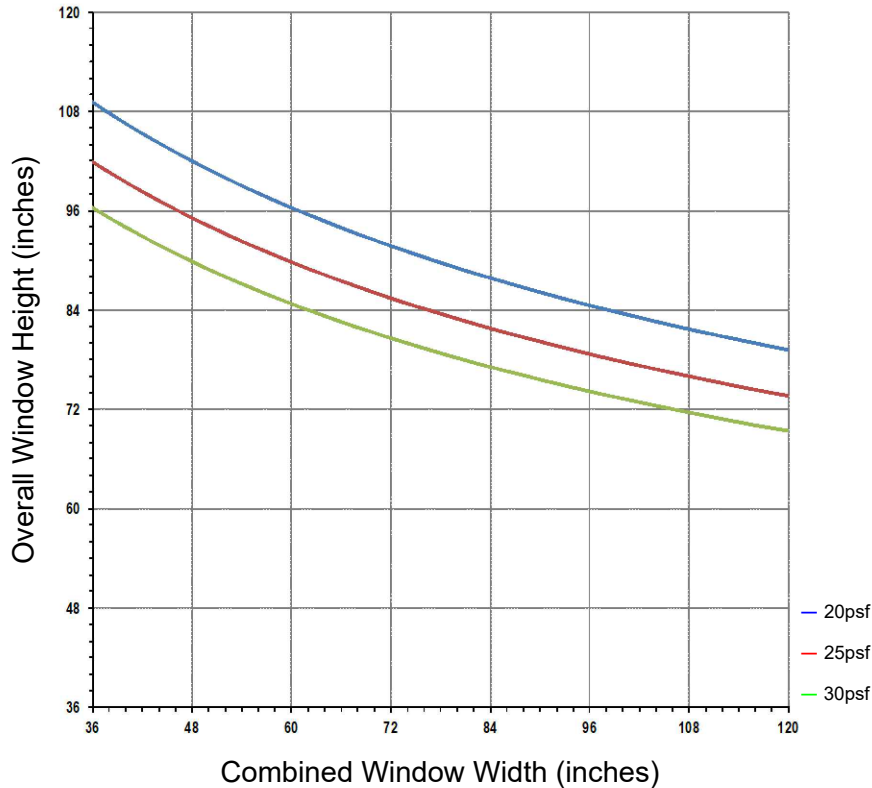
Combined Properties

	X-X	Y-Y
I	0.8955in ⁴	1.4876in ⁴
S	0.8605in ³	0.7449in ³



Maximum area = 40 ft²
 Maximum Total Unit Weight
 must not exceed 500 lbs.

Wind Load Chart



This chart can be used as a guideline for the preliminary structural evaluation of the mullion/stack shown. The chart is based on conservative engineering practices and the minimum result from either L/175 Deflection, 3/4" deflection, or 15 ksi outer fiber stress. The chart reflects the structural strength of 2 continuous window jambs running the full height of the opening. WINCO highly recommends consulting an engineer for any of the following circumstances:

- The window under consideration falls close too or on the design pressure line.
- Any rail exceeds 48" with a large (>16ft²) light of glass above.
- Any vent width exceeds 60".
- Window exceeds the maximum size shown.
- Window has multiple rails (>3).

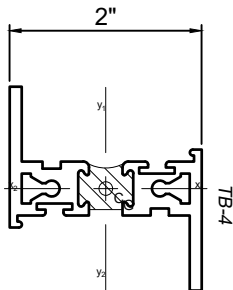
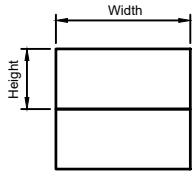
© WINCO WINDOW COMPANY, INC. 2021

1150 Series 2" Thermal Fixed, Casement & Projected Windows

Product Details - TB-4 Rail

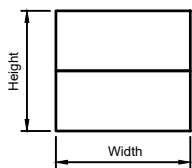


Note: Multiple configurations of this window system are available. Refer to the WINCO website for additional options or contact your local WINCO Sales Representative for information.

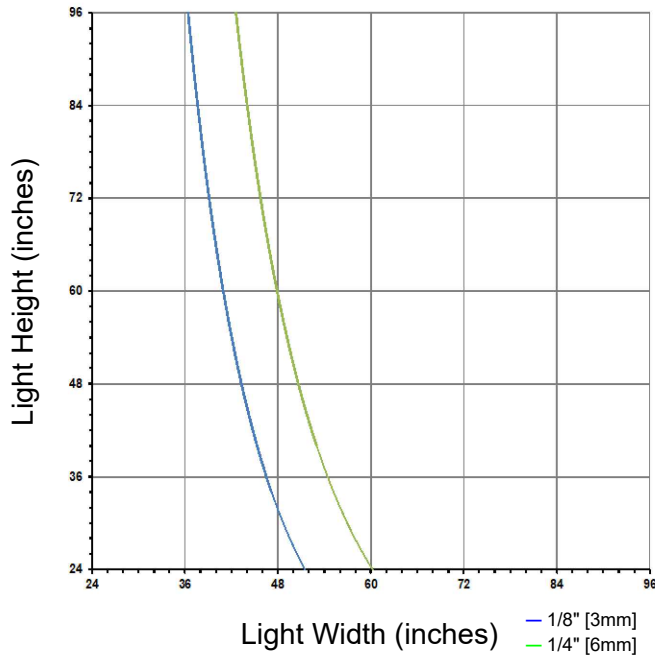


Section Properties

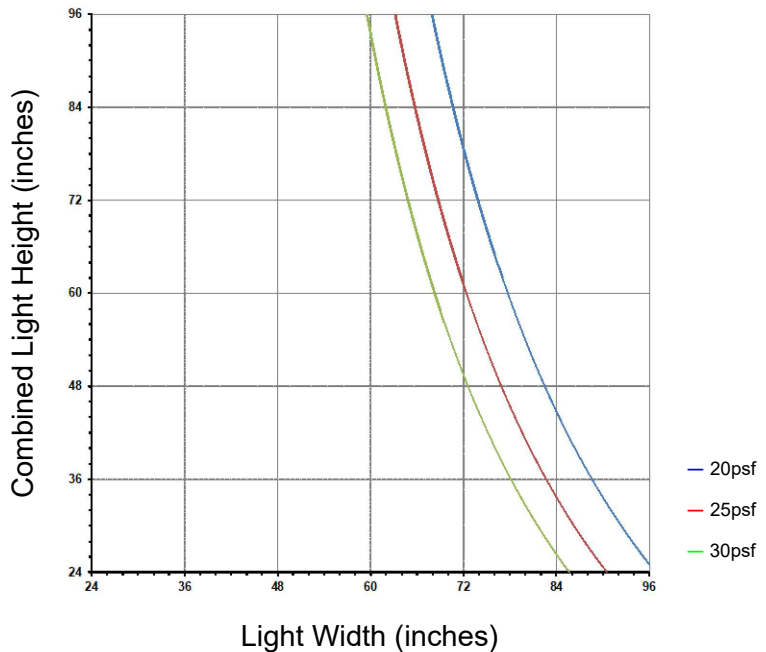
	X-X	Y-Y
I	0.4543 in ⁴	0.1191 in ⁴
S	0.4543 in ³	0.1121 in ³



Glass Dead Load Chart



Wind Load Chart



This chart can be used as a guideline for the preliminary structural evaluation of the Rail shown. The Dead Load chart is based on 1/4" - 1/2" - 1/4" I.G. and 0.090" deflection at 1/4 and 1/8 point blocking. The Wind Load Chart is based upon the minimum result from either L/175 deflection, 3/4" deflection, or 15 ksi outer fiber stress. The charts reflect the structural strength of only the Rail. WINCO highly recommends consulting an engineer for any of the following circumstances:

- The window under consideration falls close too or on the design pressure line.
- Any rail exceeds 48" with a large (>16ft²) light of glass above.
- I.G. make-up varies from the default.
- I.G. has additional blocking.

WINCO RESERVES THE RIGHT TO MODIFY OR CHANGE INFORMATION WITHIN THIS BOOK WHEN DEEMED NECESSARY FOR PRODUCT IMPROVEMENT

© WINCO WINDOW COMPANY, INC. 2021

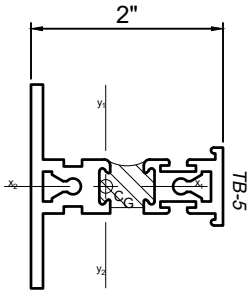
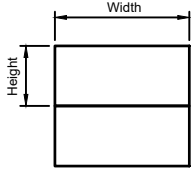
1150 Series 2" Thermal Fixed, Casement & Projected Windows

Product Details - TB-5 Rail



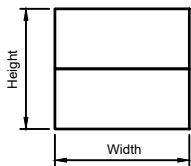
Note: Multiple configurations of this window system are available. Refer to the WINCO website for additional options or contact your local WINCO Sales Representative for information.

WINCO RESERVES THE RIGHT TO MODIFY OR CHANGE INFORMATION WITHIN THIS BOOK WHEN DEEMED NECESSARY FOR PRODUCT IMPROVEMENT

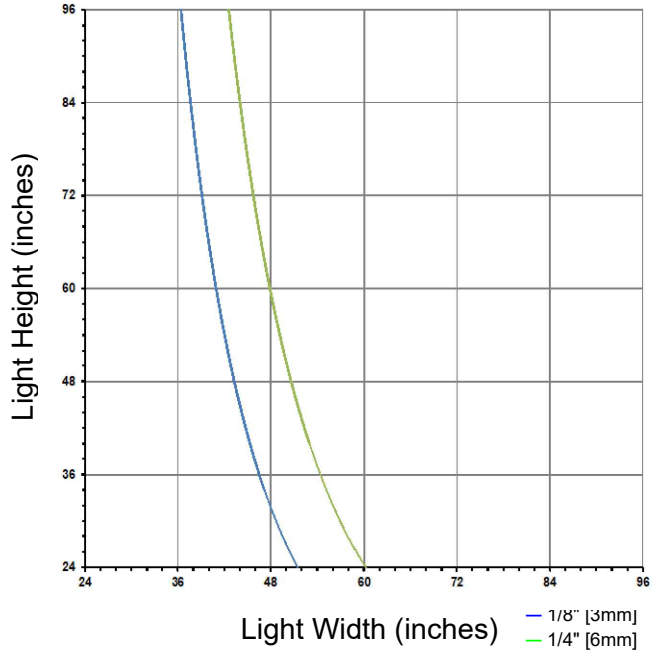


Section Properties

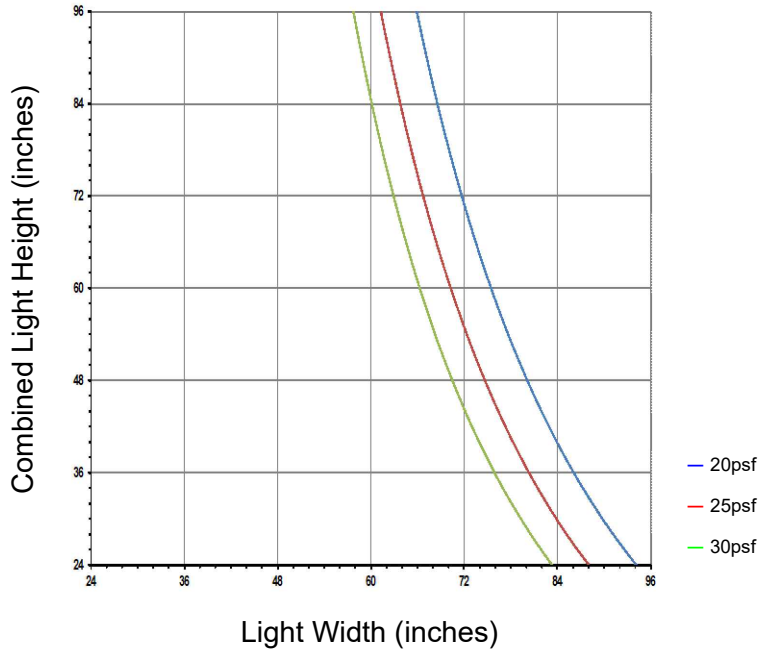
	X-X	Y-Y
I	0.4142 in ⁴	0.1191 in ⁴
S	0.3394 in ³	0.1121 in ³



Glass Dead Load Chart



Wind Load Chart



This chart can be used as a guideline for the preliminary structural evaluation of the Rail shown. The Dead Load chart is based on 1/4" - 1/2" - 1/4" I.G. and 0.090" deflection at 1/4 and 1/8 point blocking. The Wind Load Chart is based upon the minimum result from either L/175 deflection, 3/4" deflection, or 15 ksi outer fiber stress. The charts reflect the structural strength of only the Rail. WINCO highly recommends consulting an engineer for any of the following circumstances:

- The window under consideration falls close too or on the design pressure line.
- Any rail exceeds 48" with a large (>16ft²) light of glass above.
- I.G. make-up varies from the default.
- I.G. has additional blocking.

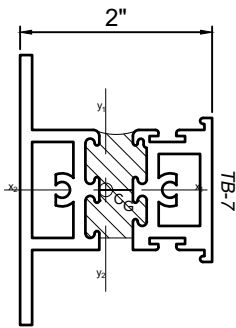
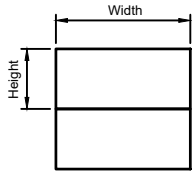
© WINCO WINDOW COMPANY, INC. 2021

1150 Series 2" Thermal Fixed, Casement & Projected Windows

Product Details - TB-7 Rail

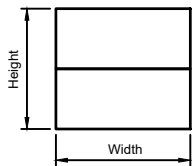


Note: Multiple configurations of this window system are available. Refer to the WINCO website for additional options or contact your local WINCO Sales Representative for information.

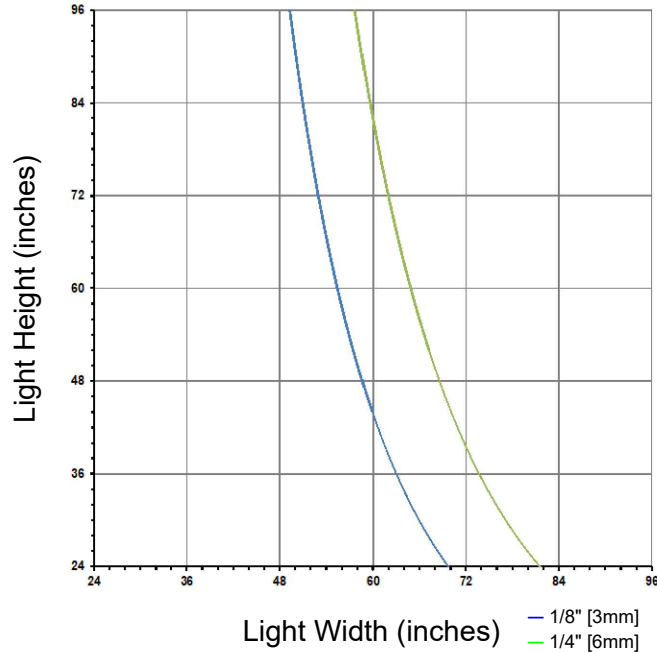


Section Properties

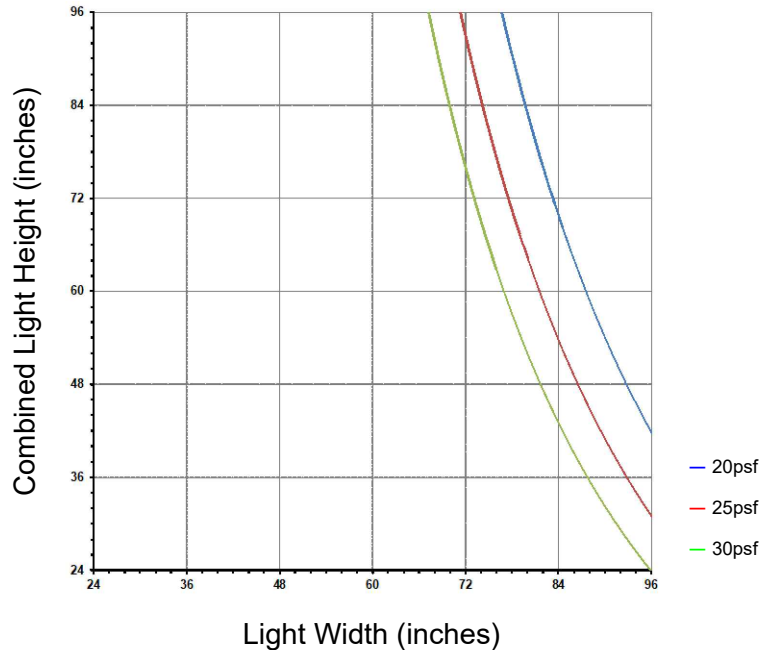
	X-X	Y-Y
I	0.6605 in ⁴	0.4007 in ⁴
S	0.6053 in ³	0.2831 in ³



Glass Dead Load Chart



Wind Load Chart



This chart can be used as a guideline for the preliminary structural evaluation of the Rail shown. The Dead Load chart is based on 1/4" - 1/2" - 1/4" I.G. and 0.090" deflection at 1/4 and 1/8 point blocking. The Wind Load Chart is based upon the minimum result from either L/175 deflection, 3/4" deflection, or 15 ksi outer fiber stress. The charts reflect the structural strength of only the Rail. WINCO highly recommends consulting an engineer for any of the following circumstances:

- The window under consideration falls close too or on the design pressure line.
- Any rail exceeds 48" with a large (>16ft²) light of glass above.
- I.G. make-up varies from the default.
- I.G. has additional blocking.

WINCO RESERVES THE RIGHT TO MODIFY OR CHANGE INFORMATION WITHIN THIS BOOK WHEN DEEMED NECESSARY FOR PRODUCT IMPROVEMENT

© WINCO WINDOW COMPANY, INC. 2021

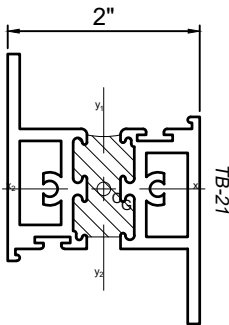
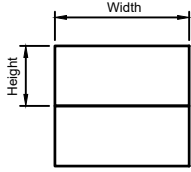
1150 Series 2" Thermal Fixed, Casement & Projected Windows

Product Details - TB-21 Rail



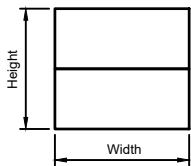
Note: Multiple configurations of this window system are available. Refer to the WINCO website for additional options or contact your local WINCO Sales Representative for information.

WINCO RESERVES THE RIGHT TO MODIFY OR CHANGE INFORMATION WITHIN THIS BOOK WHEN DEEMED NECESSARY FOR PRODUCT IMPROVEMENT

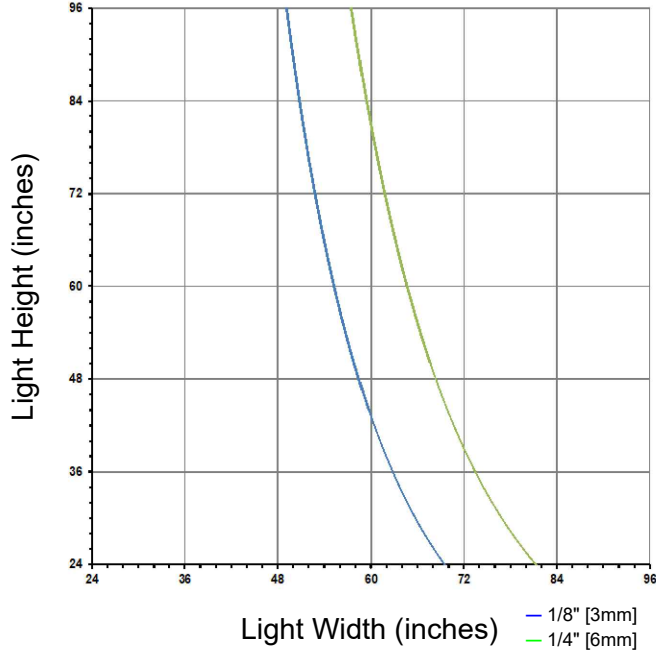


Section Properties

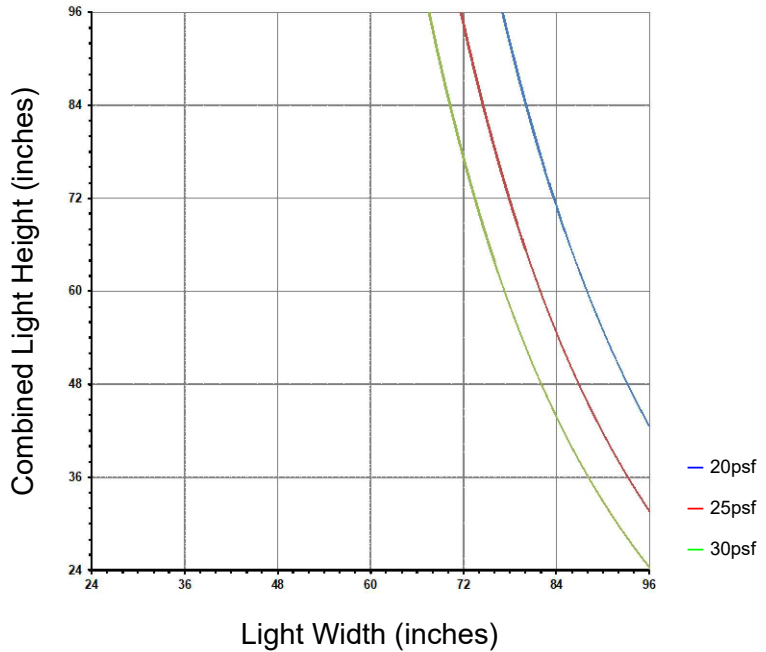
	X-X	Y-Y
I	0.6700 in ⁴	0.3956 in ⁴
S	0.6700 in ³	0.2812 in ³



Glass Dead Load Chart



Wind Load Chart



This chart can be used as a guideline for the preliminary structural evaluation of the Rail shown. The Dead Load chart is based on 1/4" - 1/2" - 1/4" I.G. and 0.090" deflection at 1/4 and 1/8 point blocking. The Wind Load Chart is based upon the minimum result from either L/175 deflection, 3/4" deflection, or 15 ksi outer fiber stress. The charts reflect the structural strength of only the Rail. WINCO highly recommends consulting an engineer for any of the following circumstances:

- The window under consideration falls close too or on the design pressure line.
- Any rail exceeds 48" with a large (>16ft²) light of glass above.
- I.G. make-up varies from the default.
- I.G. has additional blocking.

© WINCO WINDOW COMPANY, INC. 2021

WINCO RESERVES THE RIGHT TO MODIFY OR CHANGE INFORMATION WITHIN
THIS BOOK WHEN DEEMED NECESSARY FOR PRODUCT IMPROVEMENT

This page is purposely left blank

© WINCO WINDOW COMPANY, INC. 2021

1150 Series 2" Thermal Fixed, Casement & Projected Windows

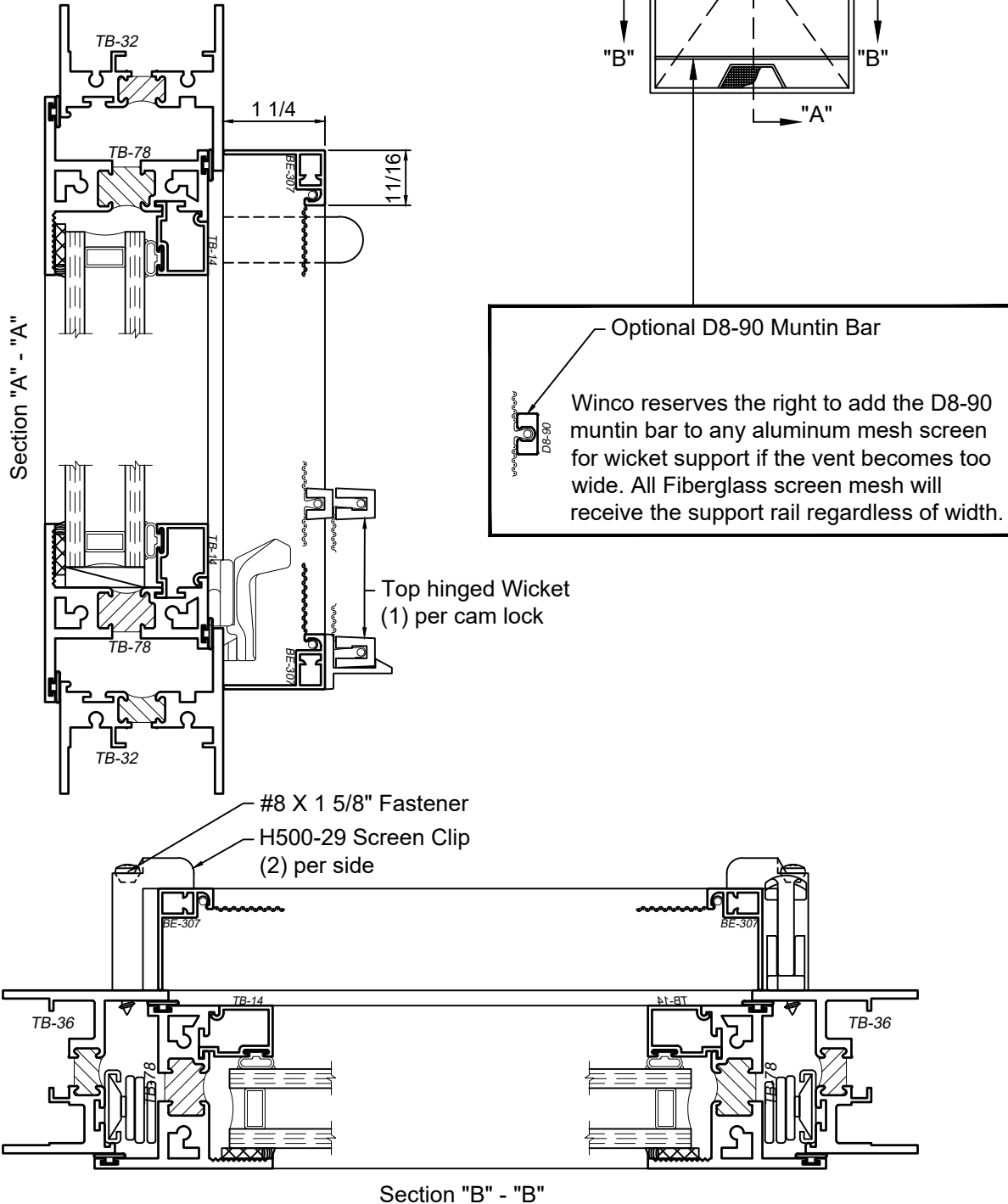
Product Details - Screen Options - PO - Awning



Note: Typical vent screen details shown. Winco reserves the right to alter the screen attachment detail due to job specific sizing and hardware. If you have specific screen applications you would like to see please contact your local Winco Sales Representative for more information.

WINCO RESERVES THE RIGHT TO MODIFY OR CHANGE INFORMATION WITHIN THIS BOOK WHEN DEEMED NECESSARY FOR PRODUCT IMPROVEMENT

Note: Dashed lines on screen elevations depict operable sash type.
All screen frames are fixed.



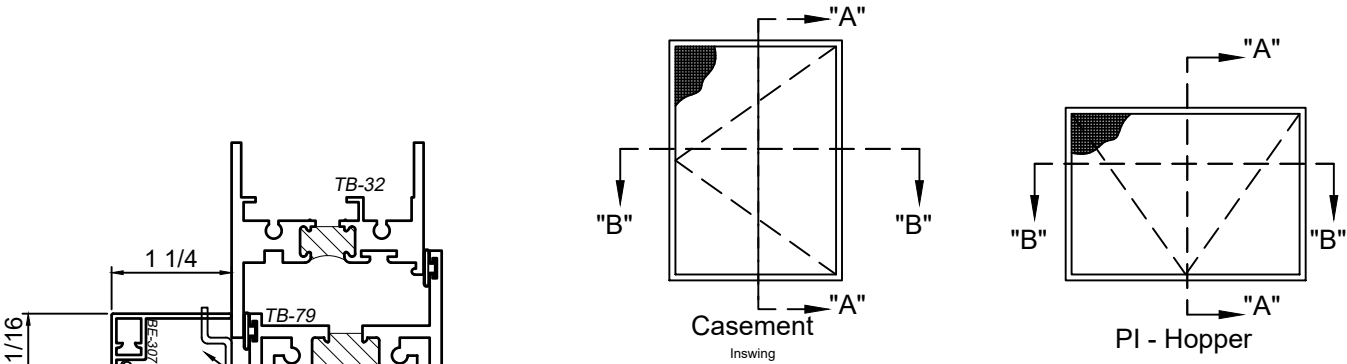
SCALE 6"=1'-0"

1150 Series 2" Thermal Fixed, Casement & Projected Windows

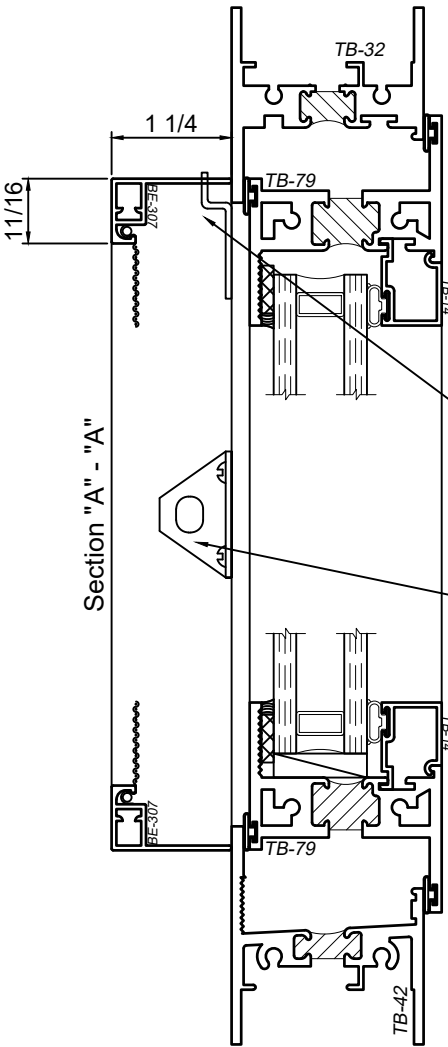
Product Details - Screen Options - PI Hopper



Note: Typical vent screen details shown. Winco reserves the right to alter the screen attachment detail due to job specific sizing and hardware. If you have specific screen applications you would like to see please contact your local Winco Sales Representative for more information.



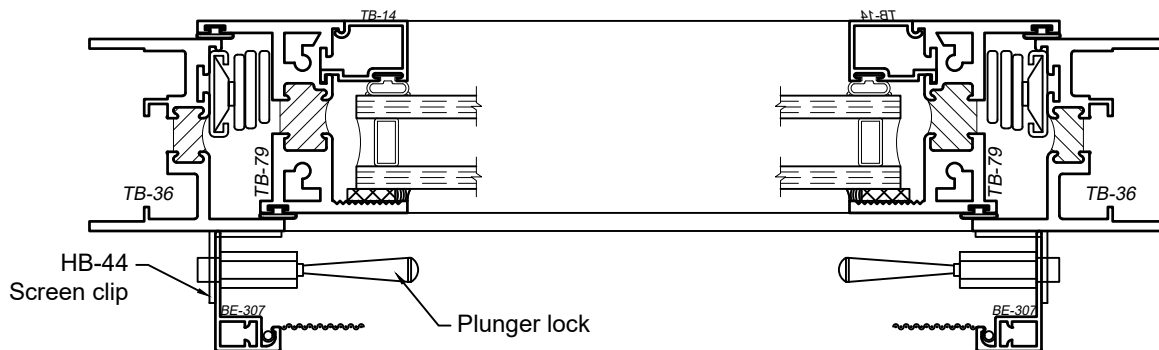
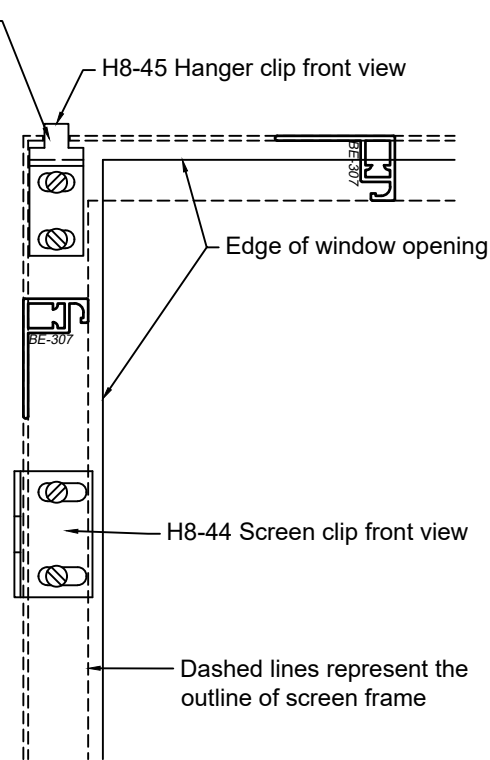
Note: Dashed lines on screen elevations depict operable sash type.
All screen frames are fixed.



Shop notch
screen clip
for H8-45 Hanger

H8-45 Hanger clip
(1) per jamb

H8-44 Screen clip
(1) per jamb



Section "B" - "B"

SCALE 6"=1'-0"

WINCO RESERVES THE RIGHT TO MODIFY OR CHANGE INFORMATION WITHIN
THIS BOOK WHEN DEEMED NECESSARY FOR PRODUCT IMPROVEMENT

© WINCO WINDOW COMPANY, INC. 2021

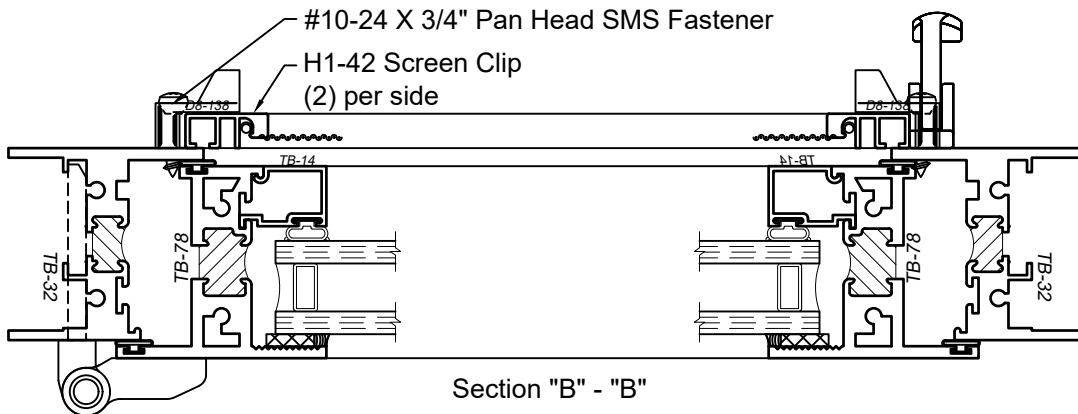
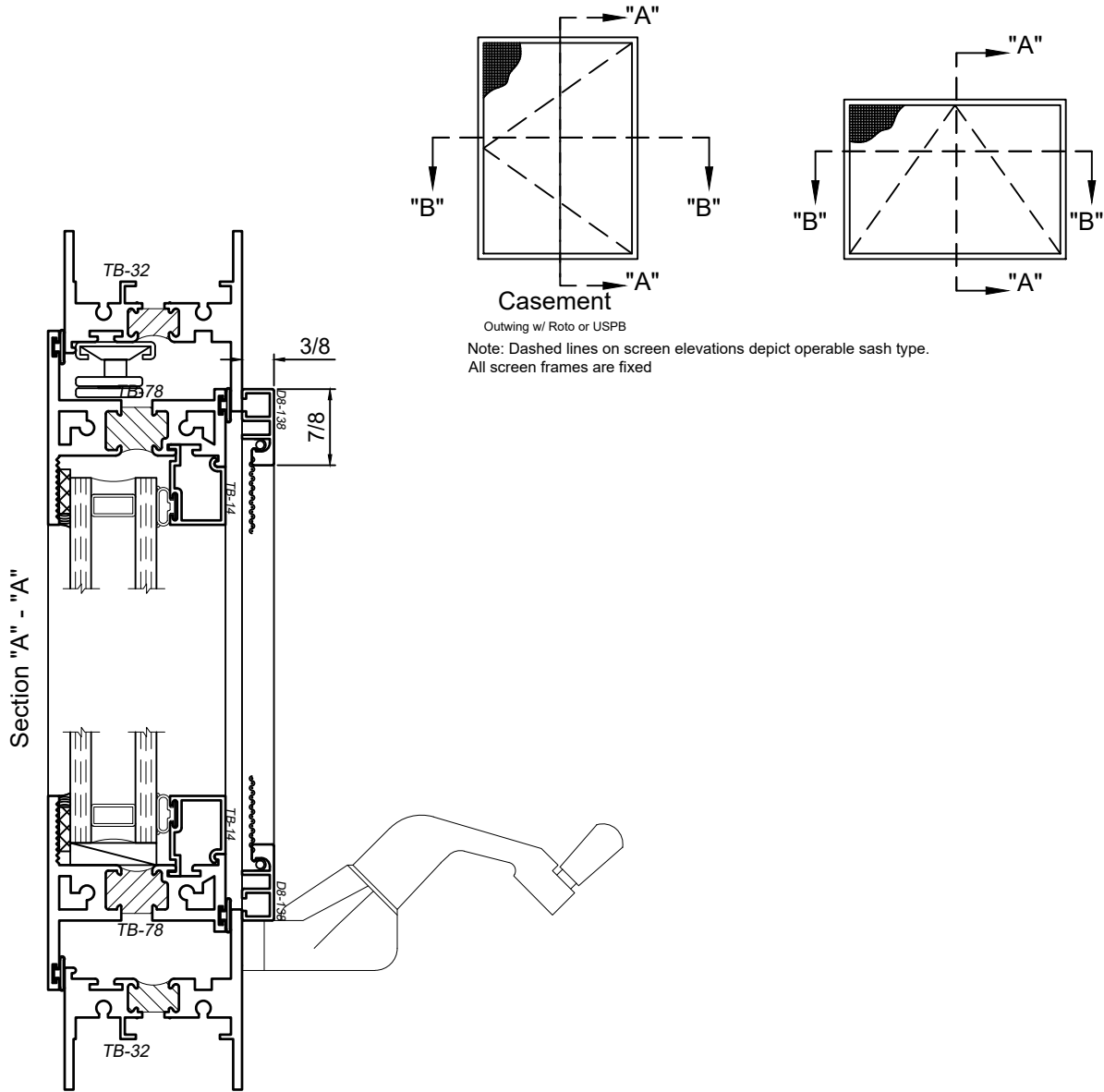
1150 Series 2" Thermal Fixed, Casement & Projected Windows

Product Details - Screen Options - PO - Awning w/ Roto Operator



Note: Typical vent screen details shown. Winco reserves the right to alter the screen attachment detail due to job specific sizing and hardware. If you have specific screen applications you would like to see please contact your local Winco Sales Representative for more information.

WINCO RESERVES THE RIGHT TO MODIFY OR CHANGE INFORMATION WITHIN THIS BOOK WHEN DEEMED NECESSARY FOR PRODUCT IMPROVEMENT



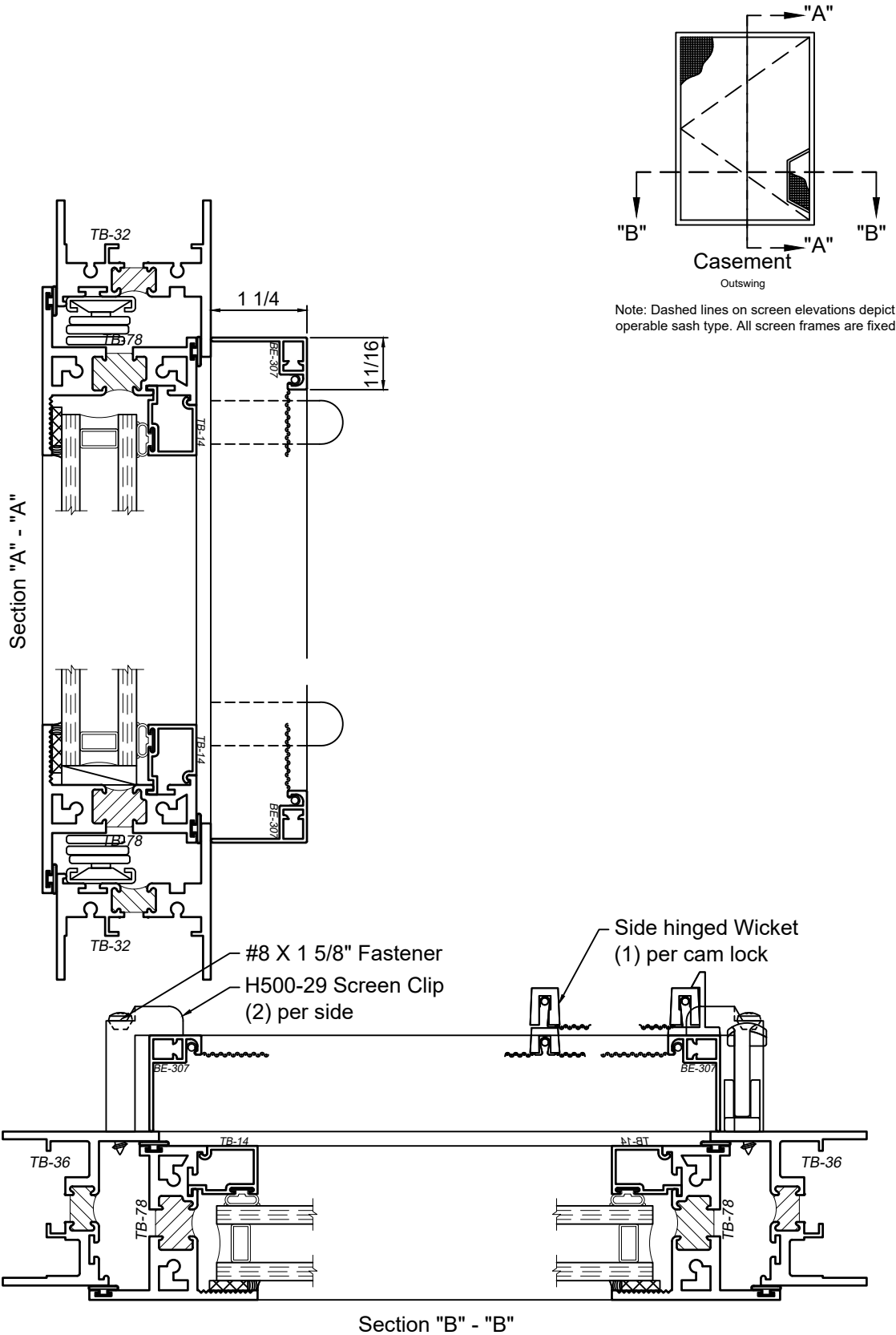
SCALE 6"=1'-0"

© WINCO WINDOW COMPANY, INC. 2021

1150 Series 2" Thermal Fixed, Casement & Projected Windows Product Details - Screen Options - Outswing Casement



Note: Typical vent screen details shown. Winco reserves the right to alter the screen attachment detail due to job specific sizing and hardware. If you have specific screen applications you would like to see please contact your local Winco Sales Representative for more information.



WINCO RESERVES THE RIGHT TO MODIFY OR CHANGE INFORMATION WITHIN THIS BOOK WHEN DEEMED NECESSARY FOR PRODUCT IMPROVEMENT

© WINCO WINDOW COMPANY, INC. 2021

SCALE 6"=1'-0"

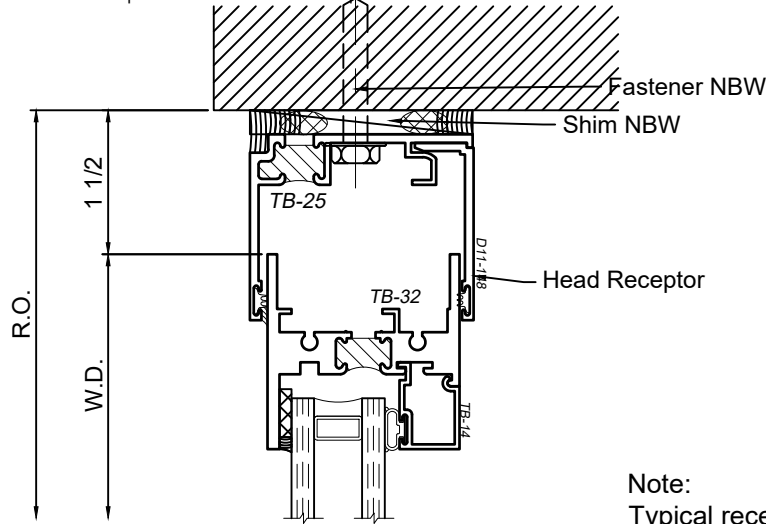
1150 Series 2" Thermal Fixed, Casement & Projected Windows

Product Details - Trim - Receptor Installation

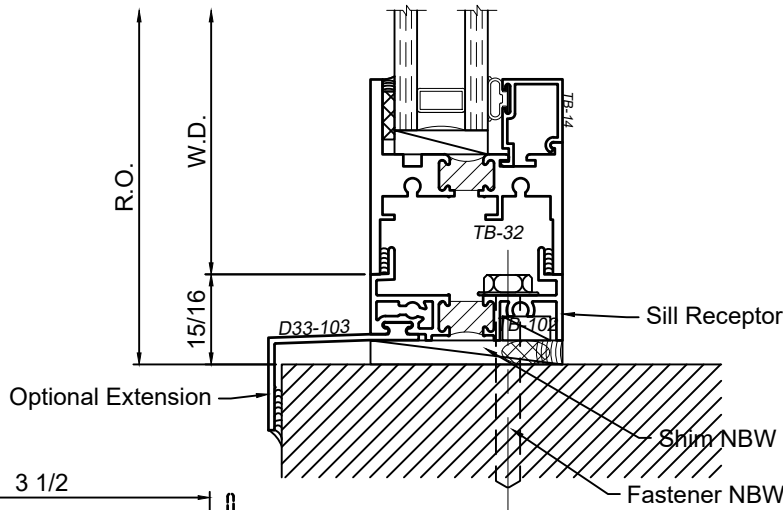


Note: See Winco Installation Instructions for a detailed description of installation notes and procedures.

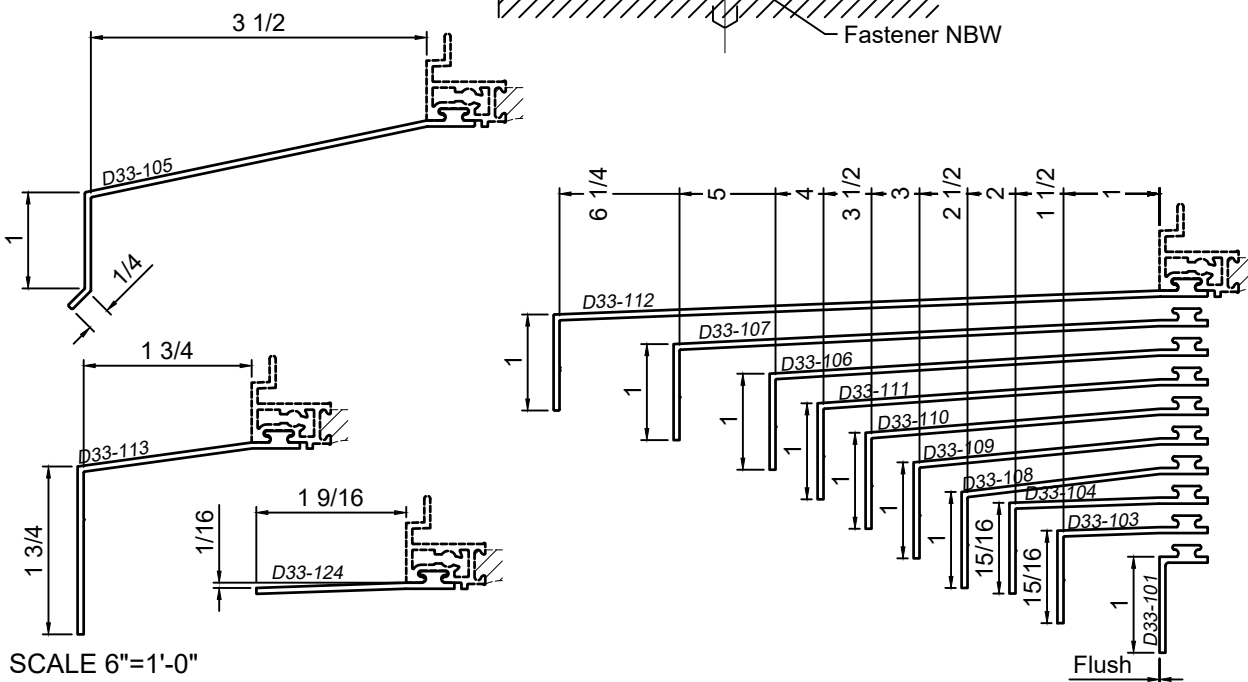
WINCO RESERVES THE RIGHT TO MODIFY OR CHANGE INFORMATION WITHIN THIS BOOK WHEN DEEMED NECESSARY FOR PRODUCT IMPROVEMENT



Note:
Typical receptor system shown. Refer to "Panning and Trim" section of detail binder for all 2" receptor options.



© WINCO WINDOW COMPANY, INC. 2021

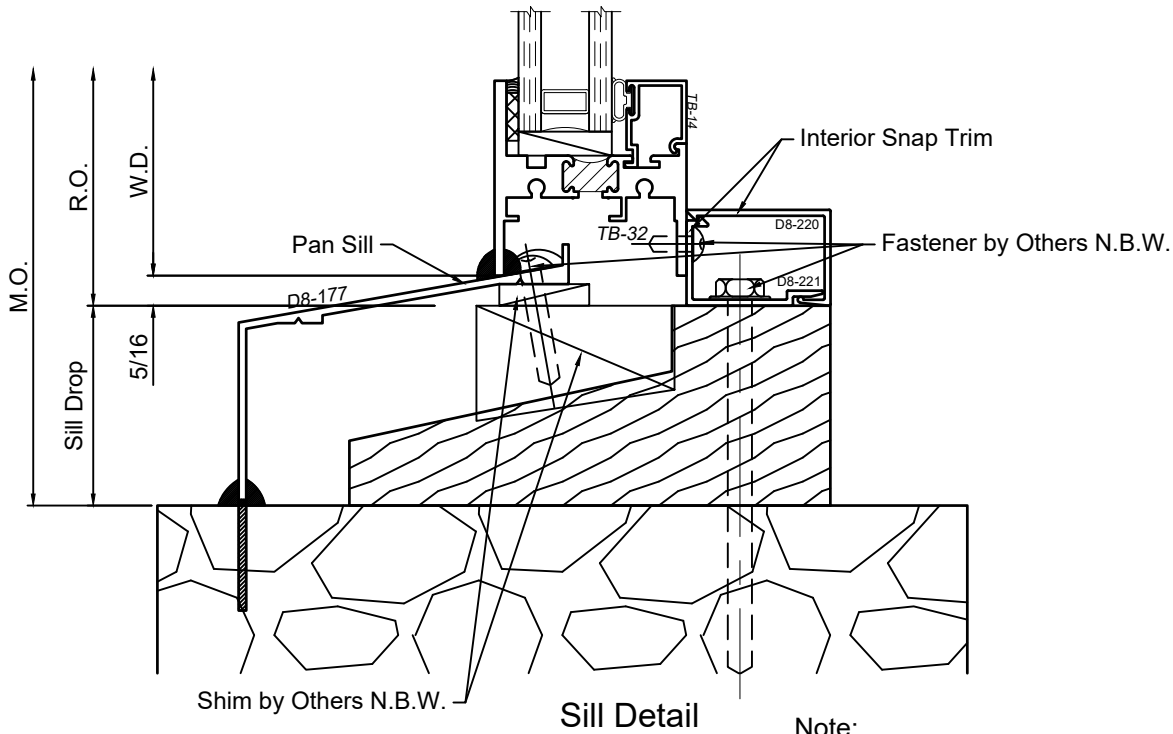
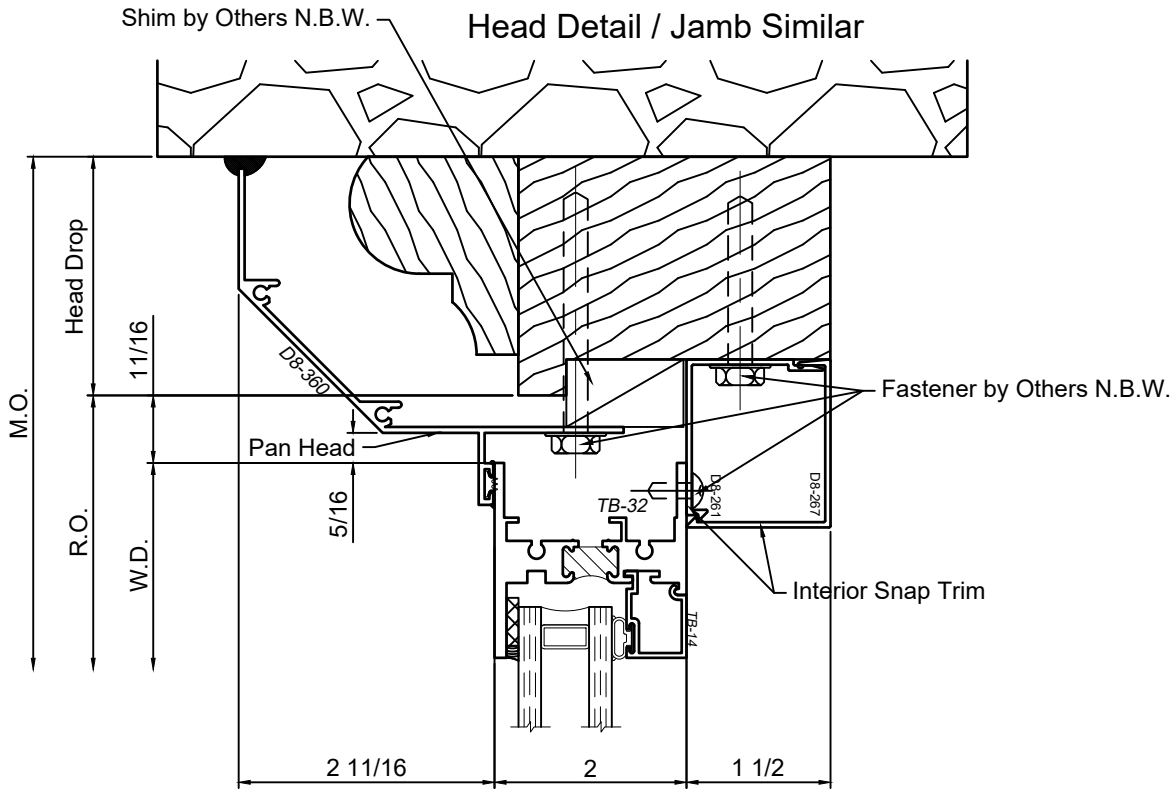


SCALE 6"=1'-0"

1150 Series 2" Thermal Fixed, Casement & Projected Windows Product Details - Trim - Panning Installation



Note: See Winco Installation Instructions for a detailed description of installation notes and procedures.



Note:
Typical panning system shown. Refer to
"Panning and Trim" section of detail binder
for all panning and interior snap trim options

SCALE 6"=1'-0"

WINCO RESERVES THE RIGHT TO MODIFY OR CHANGE INFORMATION WITHIN
THIS BOOK WHEN DEEMED NECESSARY FOR PRODUCT IMPROVEMENT

© WINCO WINDOW COMPANY, INC. 2021

1150 Series 2" Thermal Fixed, Casement & Projected Windows

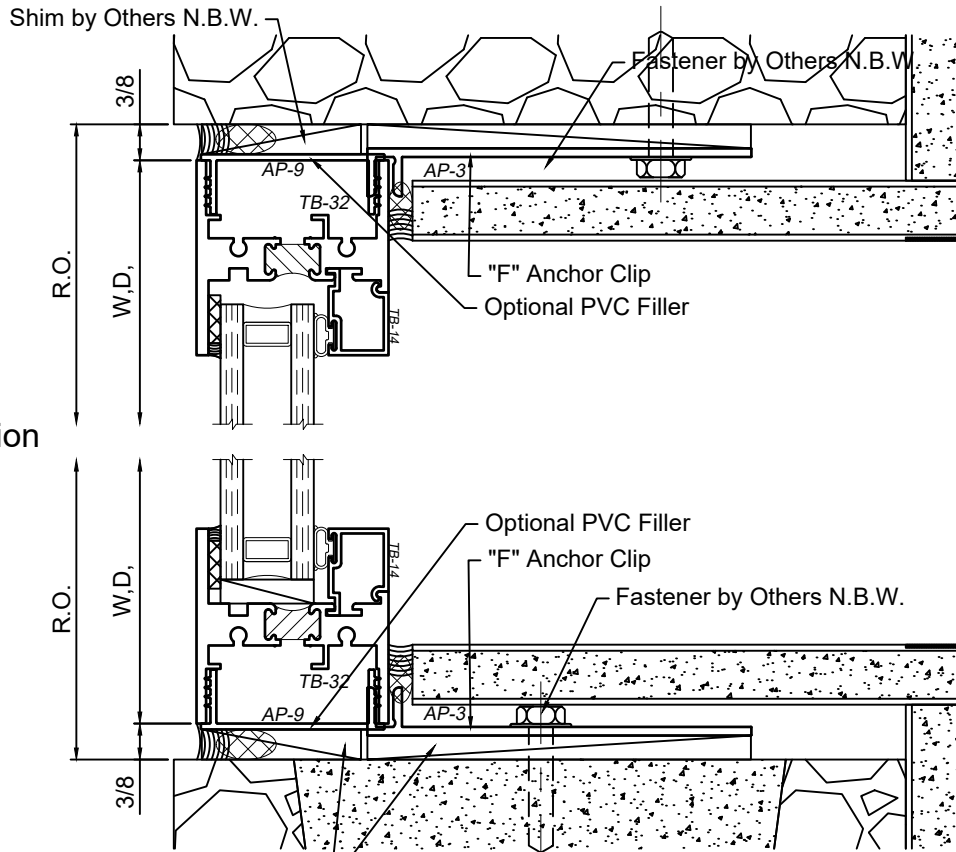
Product Details - Trim - F-Anchor and Snap Trim Installation



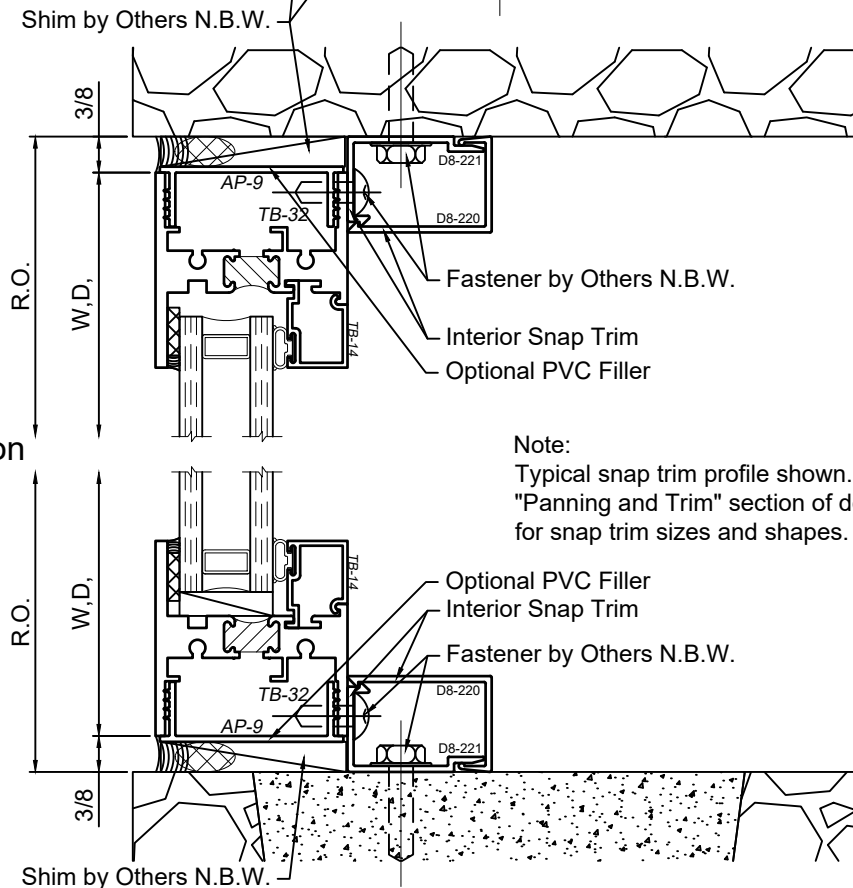
Note: See Winco Installation Instructions for a detailed description of installation notes and procedures.

WINCO RESERVES THE RIGHT TO MODIFY OR CHANGE INFORMATION WITHIN THIS BOOK WHEN DEEMED NECESSARY FOR PRODUCT IMPROVEMENT

"F" Clip Installation



Snap Trim Installation

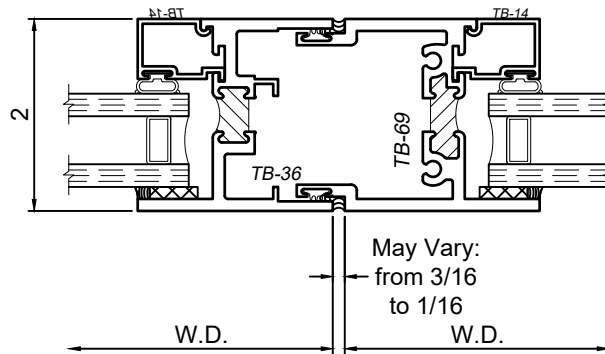


Note:
Typical snap trim profile shown. Refer to "Panning and Trim" section of detail binder for snap trim sizes and shapes.

SCALE 6"=1'-0"

© WINCO WINDOW COMPANY, INC. 2021

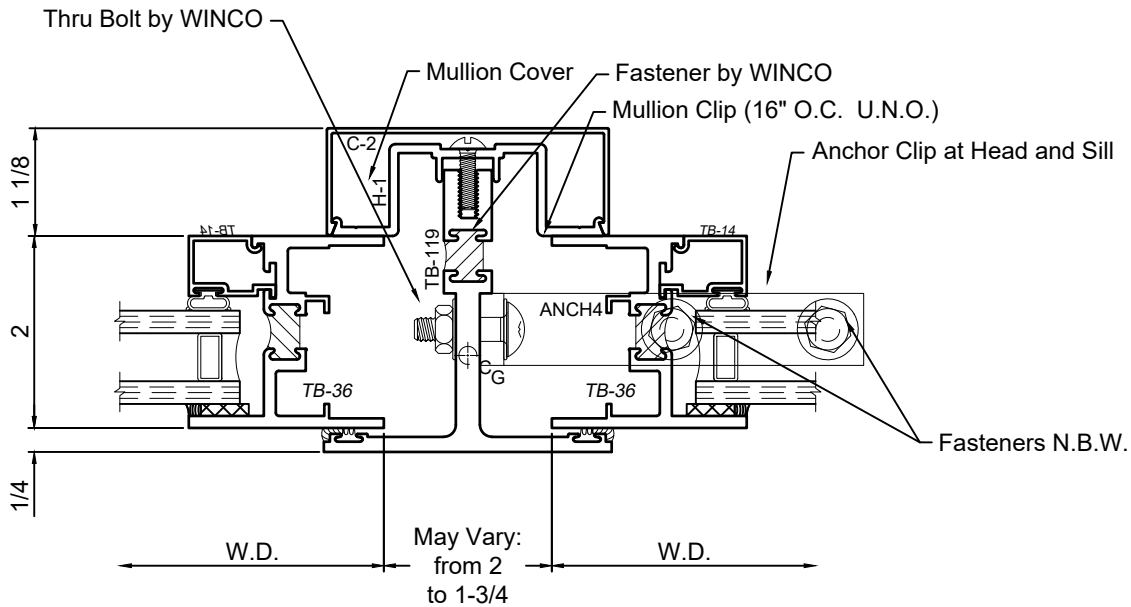
Typical Side Stack Framing



WINCO RESERVES THE RIGHT TO MODIFY OR CHANGE INFORMATION WITHIN
THIS BOOK WHEN DEEMED NECESSARY FOR PRODUCT IMPROVEMENT

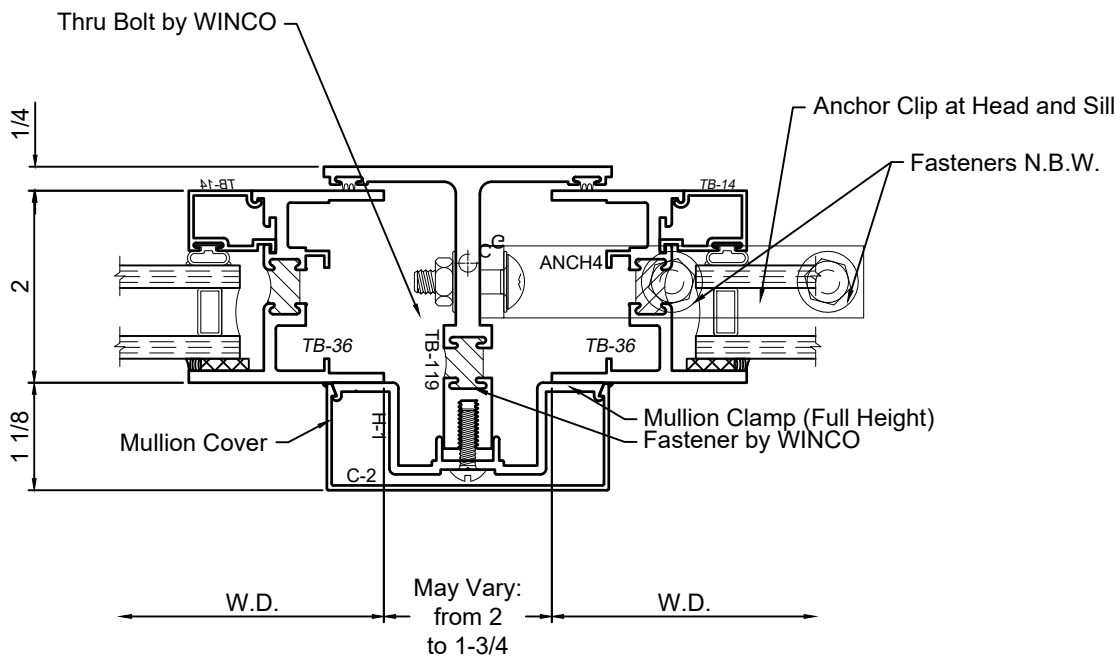
SCALE 6"=1'-0"

TB-119 Mullion set from Building Interior



WINCO RESERVES THE RIGHT TO MODIFY OR CHANGE INFORMATION WITHIN THIS BOOK WHEN DEEMED NECESSARY FOR PRODUCT IMPROVEMENT

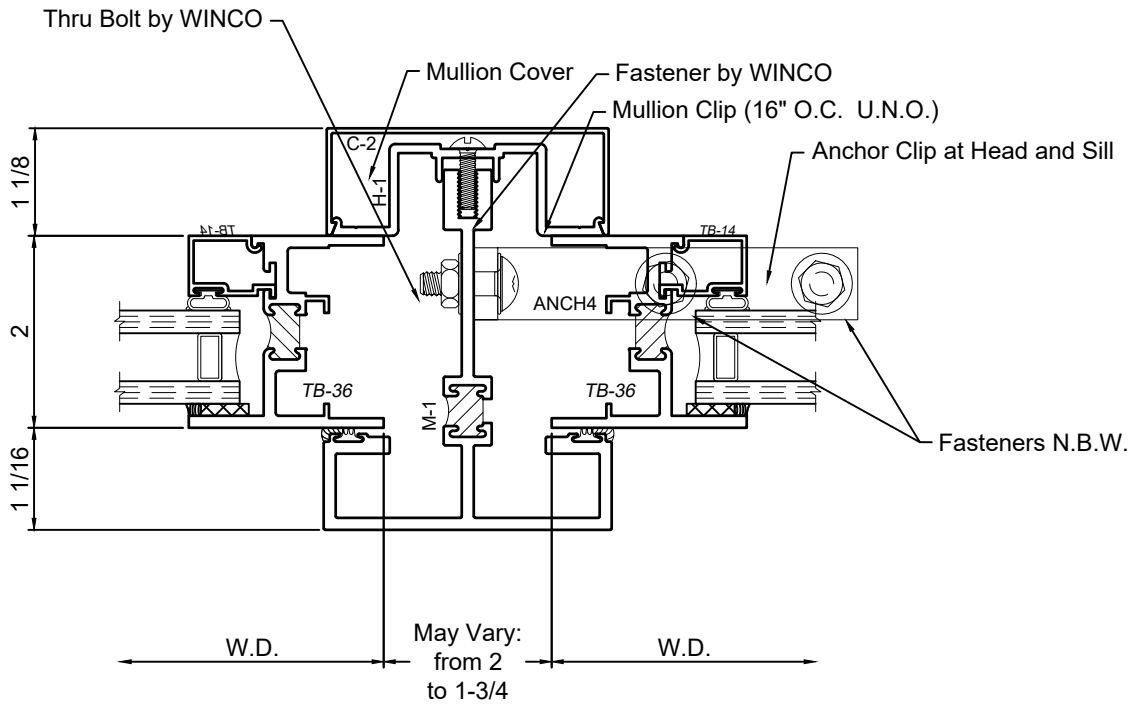
TB-119 Mullion set from Building Exterior



© WINCO WINDOW COMPANY, INC. 2021

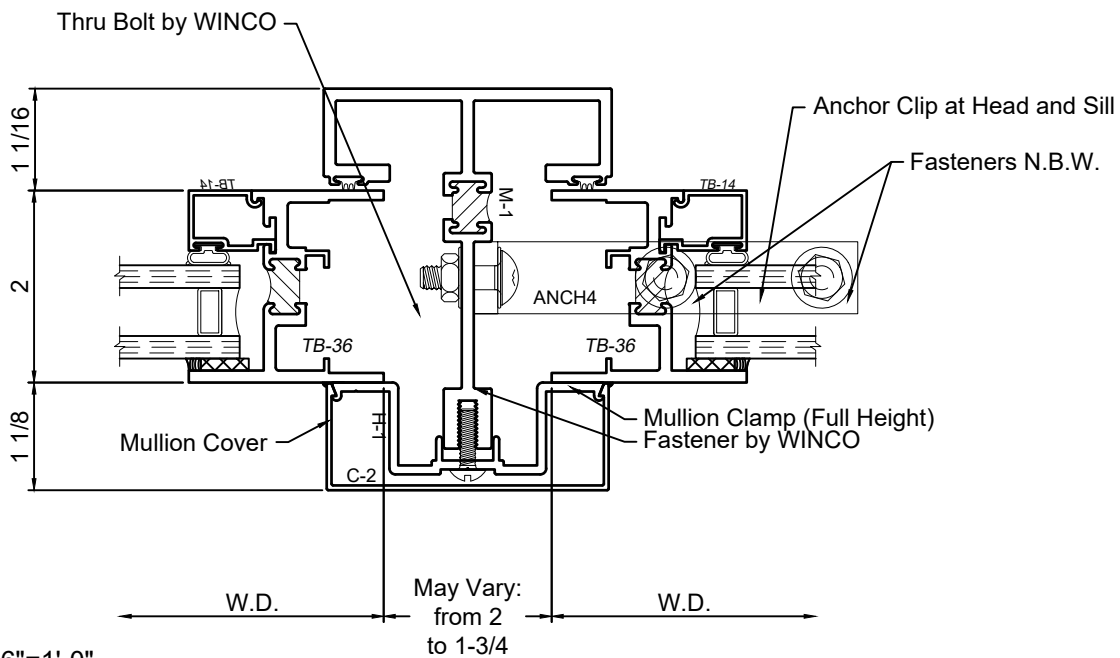
SCALE 6"=1'-0"

M-1 Mullion set from Building Interior



WINCO RESERVES THE RIGHT TO MODIFY OR CHANGE INFORMATION WITHIN THIS BOOK WHEN DEEMED NECESSARY FOR PRODUCT IMPROVEMENT

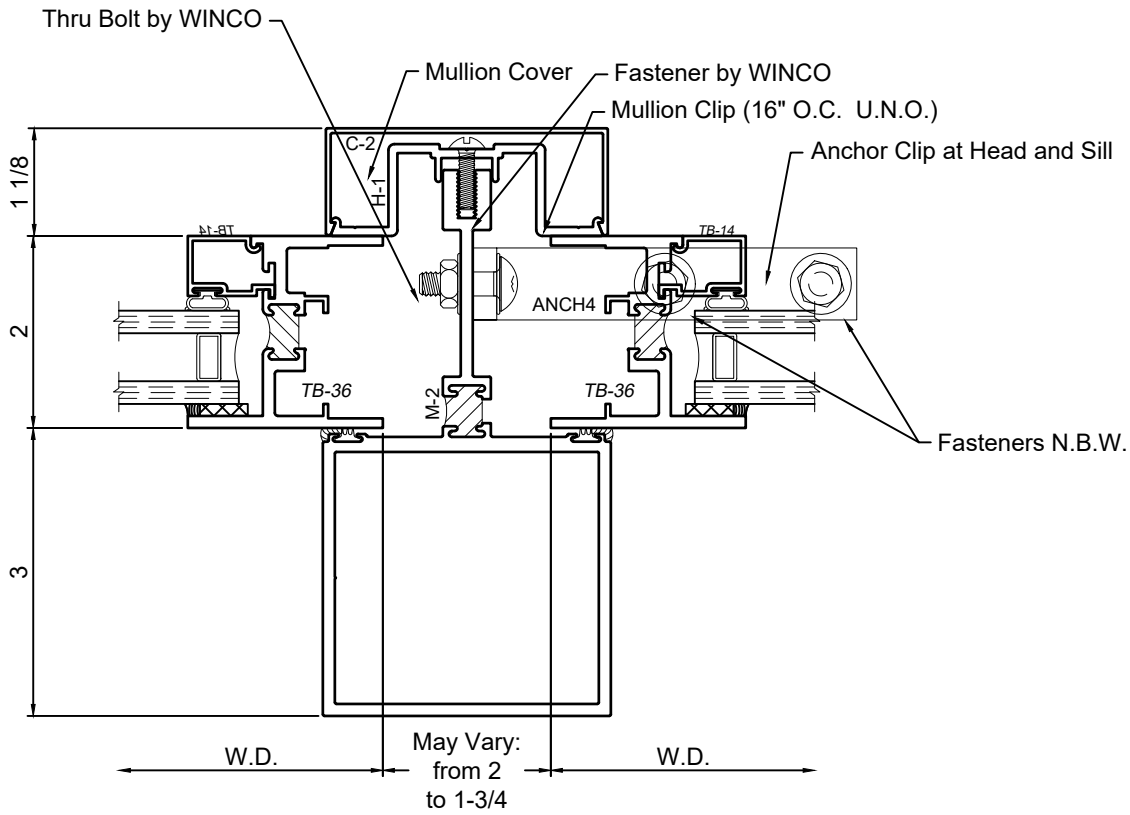
M-1 Mullion set from Building Exterior



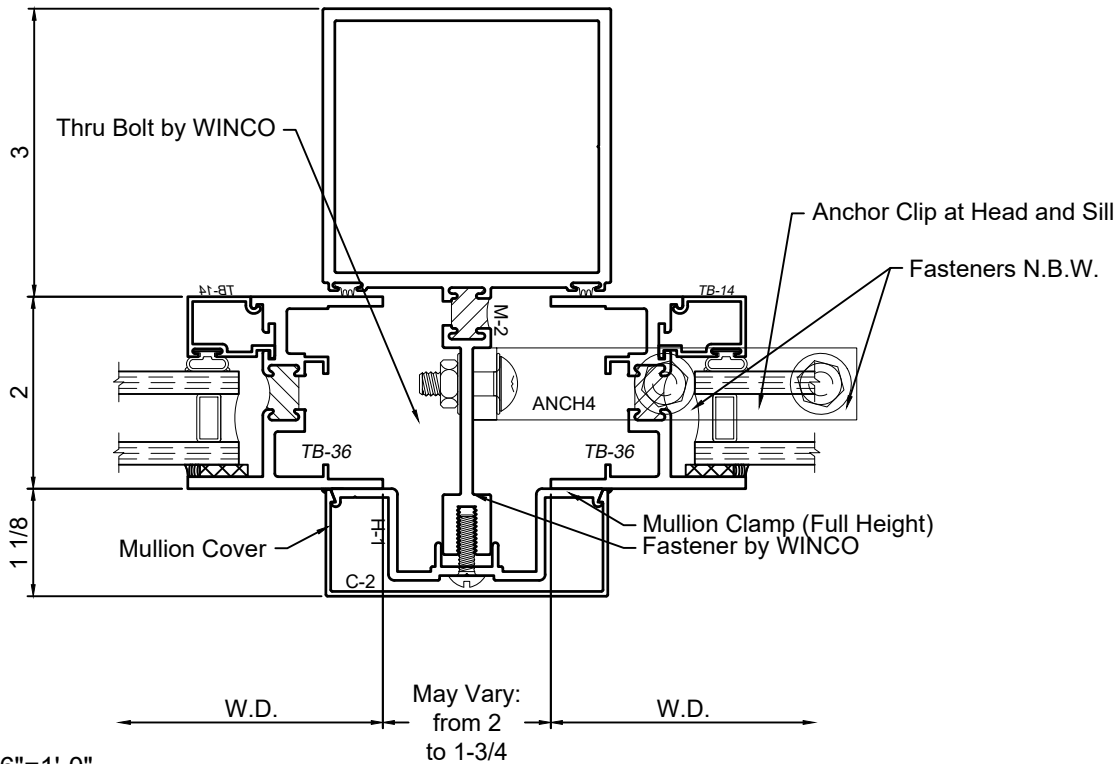
© WINCO WINDOW COMPANY, INC. 2021

SCALE 6"=1'-0"

M-2 Mullion set from Building Interior



M-2 Mullion set from Building Exterior

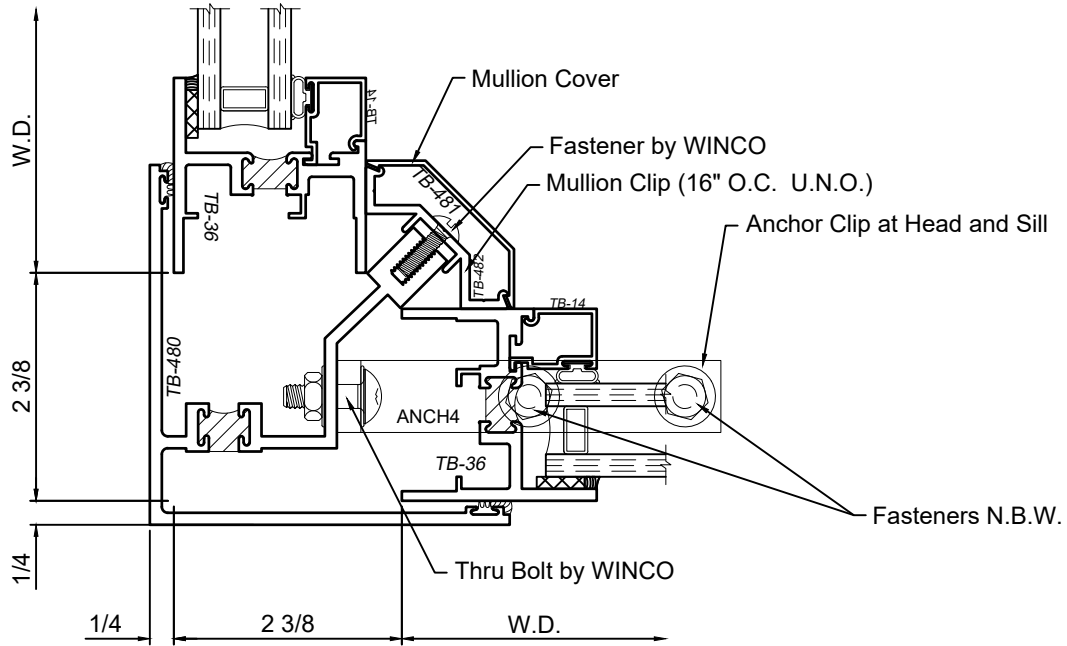


SCALE 6"=1'-0"

WINCO RESERVES THE RIGHT TO MODIFY OR CHANGE INFORMATION WITHIN THIS BOOK WHEN DEEMED NECESSARY FOR PRODUCT IMPROVEMENT

© WINCO WINDOW COMPANY, INC. 2021

TB-480 90° Corner Mullion



WINCO RESERVES THE RIGHT TO MODIFY OR CHANGE INFORMATION WITHIN THIS BOOK WHEN DEEMED NECESSARY FOR PRODUCT IMPROVEMENT

© WINCO WINDOW COMPANY, INC. 2021

SCALE 6"=1'-0"